

The Vismaya is Esthetica's indoor chaise lounge, designed for the relaxation areas of luxury spas and five-star hotel facilities. Crafted from high-quality American Oak wood and oak veneer, it combines warmth of material with long-term structural integrity. Its ergonomic wave-shaped surface cradles the body in a naturally supported recline, placing guests in a position of effortless comfort from the moment they settle in. A fold-out side tray adds a thoughtful touch of practicality — keeping refreshments and personal items within easy reach without guests ever having to leave the lounge.



KEY FEATURES



Ergonomic Wave-Shape Design

The Vismaya's wave-shaped lounge surface is ergonomically crafted to follow the natural contours of the body — distributing weight evenly and placing guests in a position of complete, supported rest.

Fold-Out Side Tray

A fold-out side tray provides a convenient surface for drinks, devices, or spa accessories — a considered detail that adds genuine everyday value to any spa relaxation area.

American Oak Wood & Oak Veneer Construction

Built from high-quality American Oak wood and oak veneer, the Vismaya is engineered for the long-term demands of commercial spa use — combining natural warmth with structural resilience.

Phthalate-Free Upholstery

The Vismaya is upholstered in phthalate-free fabric designed for professional spa environments — safe, durable, and built for the demands of daily commercial use, with antibacterial, fire retardant, and stain resistant properties as standard.

FEATURES

Design	Ergonomic Wave-Shape Surface
Foam Cushion	100 mm mixed layers of different densities for comfortable massage experience
Side Shelf	Foldable side shelf
Optional	IVC Heating Technology

AREA OF USE

Indoor Use

TECHNICAL SPECIFICATIONS

Length	1905 mm / 75 in
Width	740 mm / 29.1 in
Height	764 mm / 30 in

BASE & FRAME

Base	Solid Wood
Load Bearing capacity	180 kgs

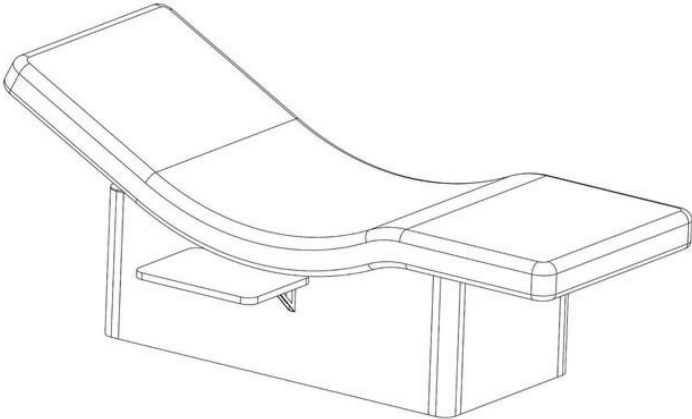
UPHOLSTERY

Type	Phthalate-Free Upholstery
Thickness	1.01 mm
Tensile Strength	ISO 1421, 804 N/ 5 cm
Colour Options	Cream, Beige, Mouse Grey, Brown
Weight	732 g / sqmt
Abrasion	ISO 5470-2 = 2,00,000 cycles / min

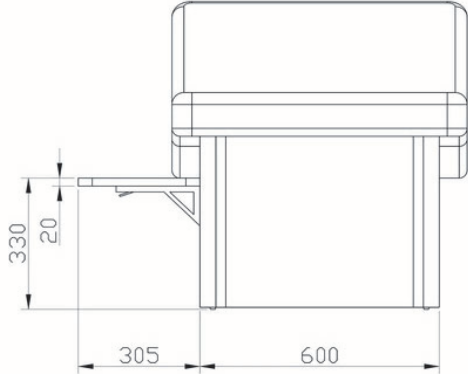
WARRANTY

1 year againts any manufacturing defects

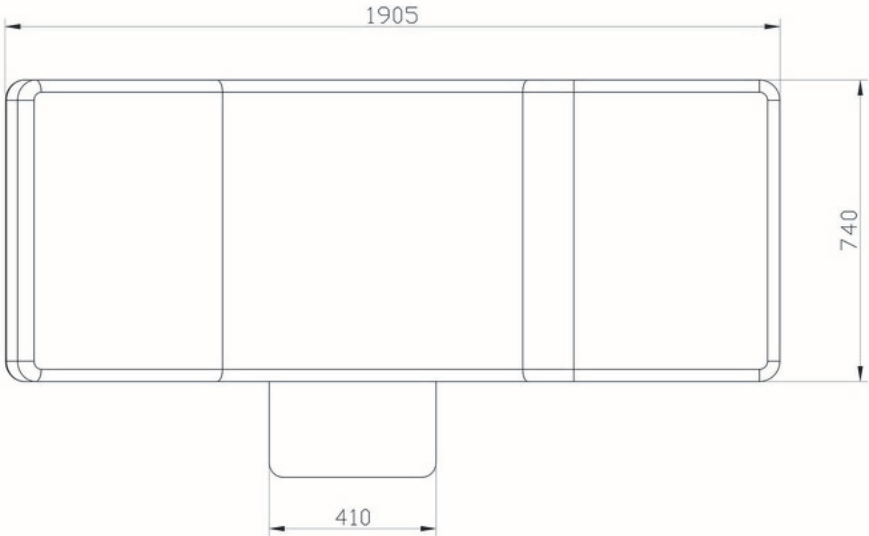
TECHNICAL DRAWINGS



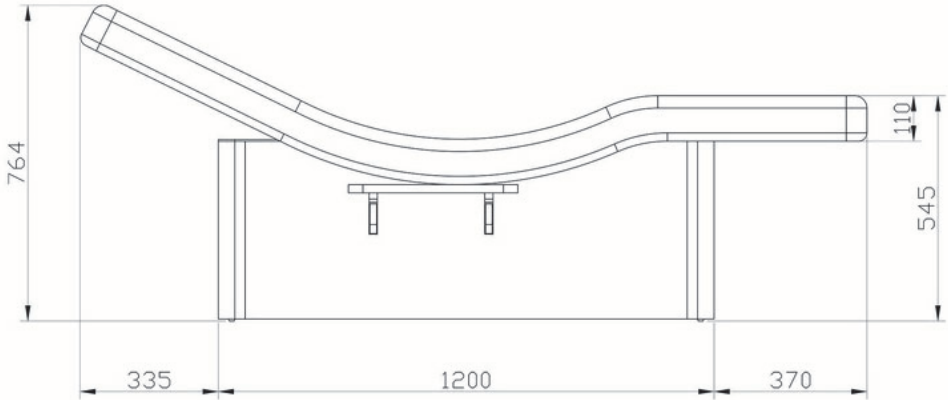
ISOMETRIC VIEW



FRONT VIEW



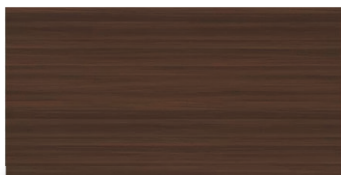
TOP VIEW



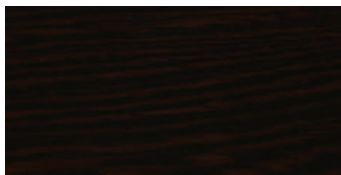
SIDE VIEW

ALL DIMENSIONS ARE IN MM

WOOD FINISH OPTIONS



American Oak
Dark Walnut



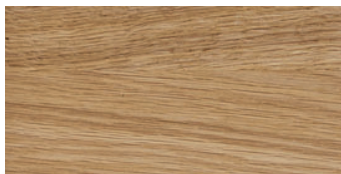
American Oak
Wenge



American Oak
Yellow Teak



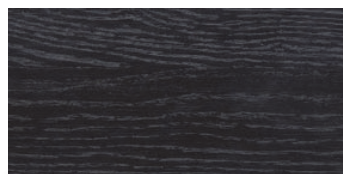
American Oak
White Wash Finish



American Oak
Water Base



American Oak
PU Finish

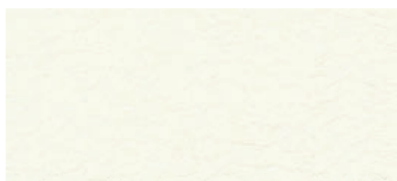


American Oak
Open Pore Black

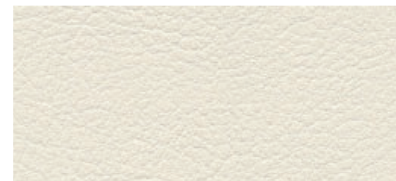


American Oak
Open Pore White

VERIDURA PHTHALATE-FREE UPHOLSTERY



Cream



Beige



Brown



Mouse Grey