

The Mani Pedi Chair is Esthetica's no-plumbing manicure and pedicure chair — designed to give spas and wellness centres the flexibility to offer pedicure and manicure services without the need for any plumbing connection. Built on a natural wood veneer and powder-coated mild steel frame, it combines a clean, refined aesthetic with practical, well-considered functionality. A lockable gas spring-assisted backrest allows therapists to position guests comfortably across both treatments, while fold-out wooden armrests extend the chair's capability to manicure services without any reconfiguration. The solid surface top is precision-cut on a CNC machine, and the corrosion-resistant SS 304 grade steel footrest provides a durable, hygienic surface for pedicure treatments. An optional decorative sink — available in copper, stainless steel, antique brass, or antique bronze finish — completes the setup with a touch of considered luxury.



KEY FEATURES



No-Plumbing Design

The Mani Pedi Chair requires no plumbing connection — making it ideal for spas and wellness centres that want to offer pedicure and manicure services without the cost or complexity of fixed plumbing installations.

CNC-Cut Solid Surface Top & SS 304 Footrest

The solid surface top is precision-cut on a CNC machine for a clean, exact finish, while the inclined footrest is crafted from corrosion-resistant SS 304 grade steel — ensuring durability and hygiene across daily pedicure treatments.

Fold-Out Wooden Armrests

The Mani Pedi Chair features fold-out wooden armrests that extend flat for manicure treatments — giving therapists a stable, comfortable working surface without requiring a separate manicure table.

Customizable Decorative Foot Sink

The Mani Pedi Chair is available with a customizable decorative foot sink in copper, stainless steel, antique brass, or antique bronze finish — adding a layer of aesthetic refinement that elevates the pedicure experience for guests.

FEATURES

Design	No-Plumbing Design — Pedicure & Manicure in One Chair
Backrest	Lockable Gas Spring-Assisted Backrest Adjustment
Armrest	Fold-Out Wooden Armrests for Manicure Treatments
Footrest	SS 304 Grade Corrosion-Resistant Steel
Pedicure Station	Retractable trolley with sink
Foam Cushion	Multi-Density Foam Cushion
Customizable	Decorative Sink — Copper, Stainless Steel, Antique Brass or Antique Bronze

TECHNICAL SPECIFICATIONS

Overall Length	1900 mm / 74.8 in
Chair Length (Seating Position)	836 mm / 32.9 in
Overall Width	1270 mm / 50 in
Width (Without Armrest)	820 mm / 32.2 in
Minimum Height	850 mm / 33.4 in
Maximum Height	1034 mm / 40.7 in

BASE & FRAME

Base	Natural Wood Veneer & Powder-Coated Mild Steel Frame
Load Bearing capacity	150 kgs

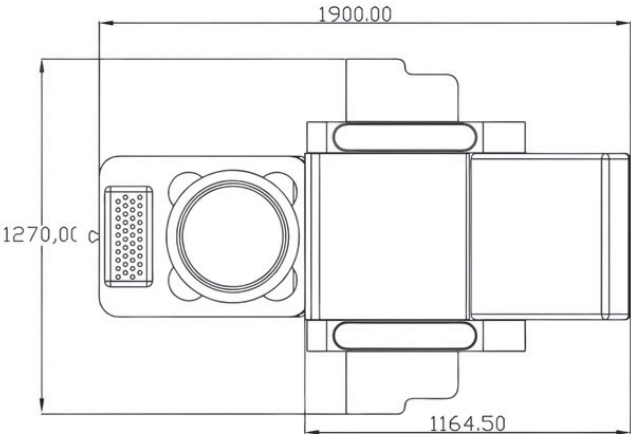
UPHOLSTERY

Type	Phthalate-Free Upholstery
Thickness	1.01 mm
Tensile Strength	ISO 1421, 804 N/ 5 cm
Colour Options	Cream, Beige, Mouse Grey, Brown
Weight	732 g / sqmt
Abrasion	ISO 5470-2 = 2,00,000 cycles / min

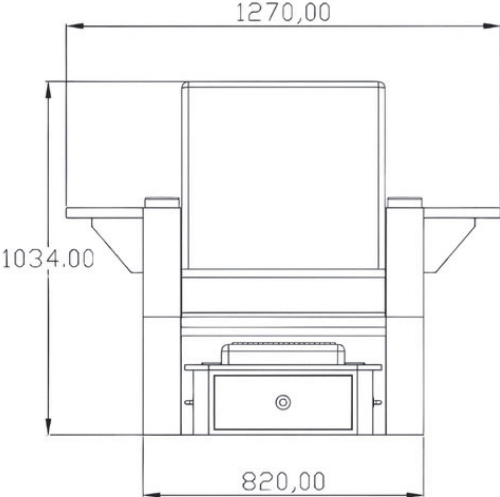
WARRANTY

1 year againts any manufacturing defects

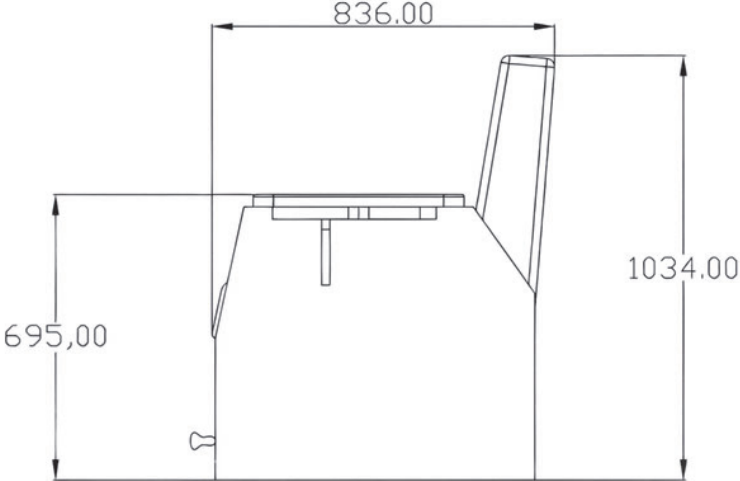
TECHNICAL DRAWINGS



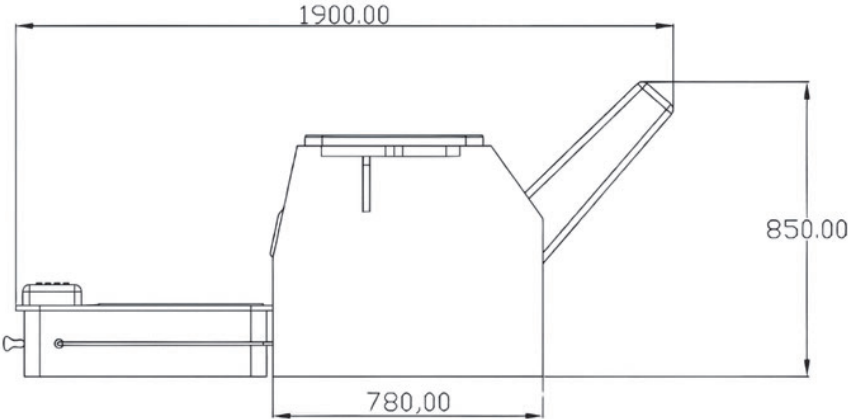
TOP VIEW



FRONT VIEW



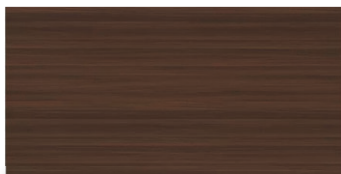
MAXIMUM HEIGHT



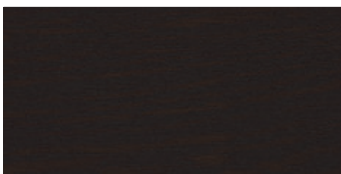
MINIMUM HEIGHT

ALL DIMENSIONS ARE IN MM

WOOD FINISH OPTIONS



American Oak
Dark Walnut



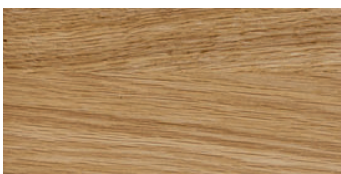
American Oak
Wenge



American Oak
Yellow Teak



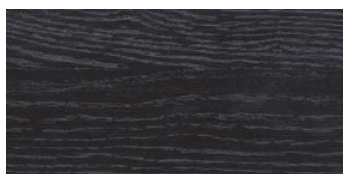
American Oak
White Wash Finish



American Oak
Water Base



American Oak
PU Finish

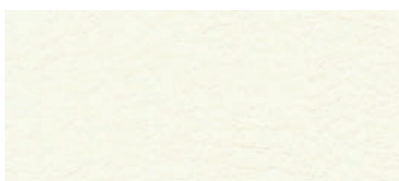


American Oak
Open Pore Black

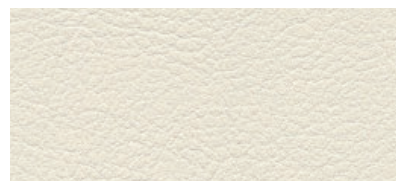


American Oak
Open Pore White

PHTHALATE-FREE UPHOLSTERY



Cream



Beige



Brown



Mouse Grey