

ANAGH

Anagh is a professional pedicure spa chair with a luxury design, pipeless jacuzzi function, colour therapy function, and electronic seat and backrest adjustment for a comfortable pedicure experience for the guests.



DESIGN

Electronically operated pipeless pedicure spa chair

FEATURES

- Pipeless Pedicure Spa for better hygiene. Easy to clean
- Electronically adjusted seat and backrest positions
- Chromotherapy - soothing colour changing lights during pedicure treatment
- One side of the pedicure spa chair can be slided back to make it easy for the guest to get on/off the chair
- Inclined foot rest for guest's comfort made from corrosion resistant SS 304 grade steel
- Solid Surface Top, precision cut on a CNC machine
- Easy to clean jacuzzi motor.
- Easy to fold and unfold wooden armrest for manicure treatments

FOAM CUSHION

Multiple density foam cushion (Combination 70 Density Latex and 32 Density Soft Foam Cushion)

FRAME STRUCTURE

Natural Wood, Natural Wood Veneer, Solid Surface Artificial Marble Top and Powder Coated Mild Steel Frame

ADJUSTMENTS

- Backrest Electronically adjusted through 1 x 6000N Actuator
- Seating Position Electronically adjusted through 1 x 6000N Actuator
- Wooden Side Frame Manually slided and fitted with roller wheels and slide channel

MOTORS WEIGHT CAPACITY

150 Kgs

UPHOLSTERY

Type	Phthalate-Free Upholstery	Veridura : Ultra Soft Upholstery
Thickness	1.01 mm	1 mm
Tensile Strength	ISO 1421, 804 N / 5cm	ISO 1421, 869.22 N / 5cm
Features	Fire Retardant, Acetone & Disinfectant Resistant	Anti-Bacterial, Stain resistant, 20 years hydrolysis resistant
Weight	732 g / sqmt	726.7 g / sqmt
Abrasion	ISO 5470-2 = 2,00,000 cycles / min	ISO 5470-2 = 2,00,000 cycles / min

WOOD FINISH

Natural American White Oak PU, Natural American White Oak Water Base, Open Pour White Finish (RAL 9010), Open Pour Black, Dark Walnut, Yellow Teak, Wenge

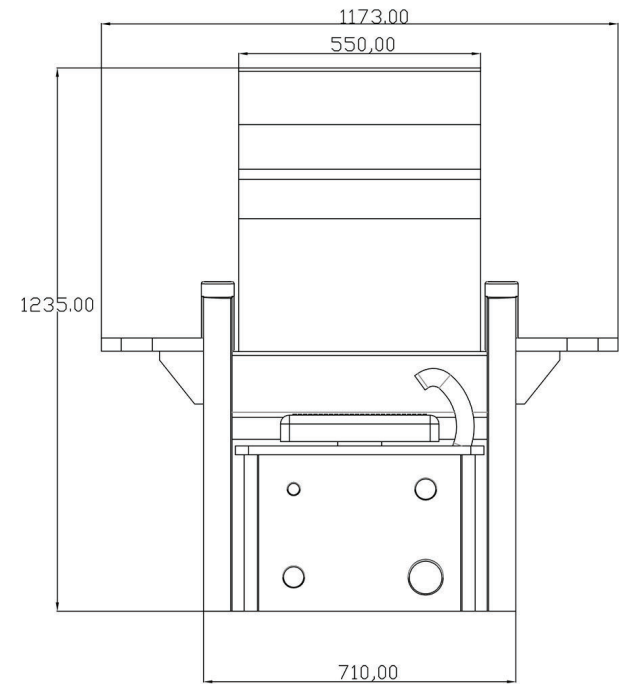
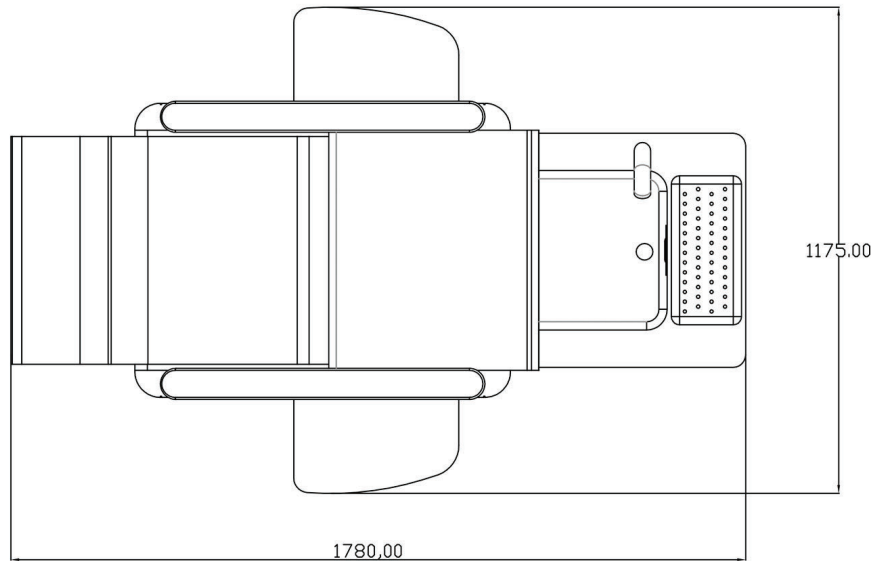
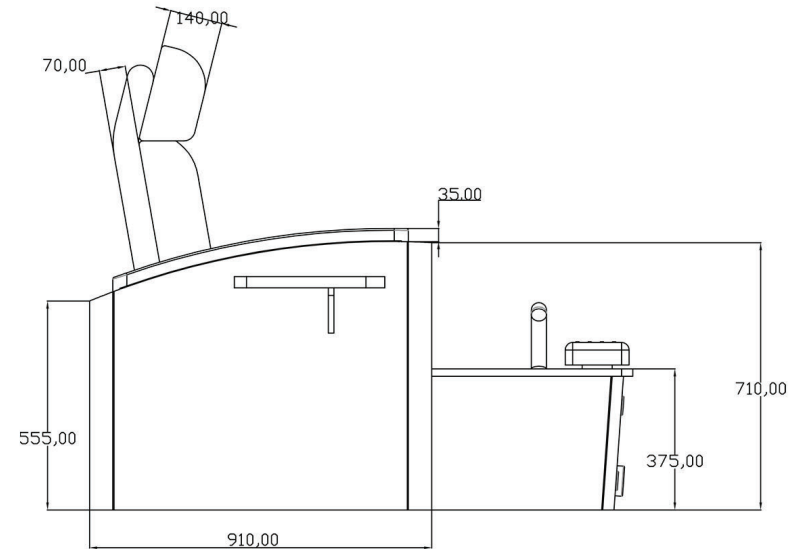
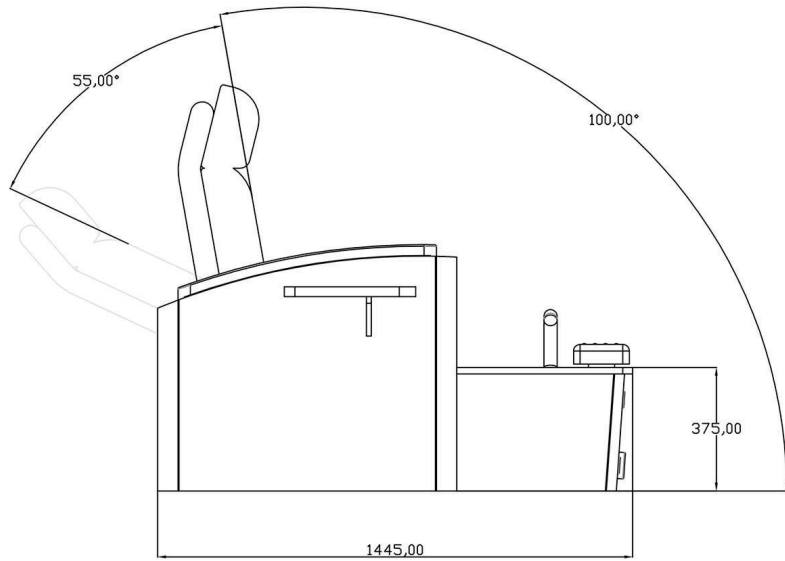
WARRANTY

- Structure 3 years
- Electronic Motors & Controls 2 years

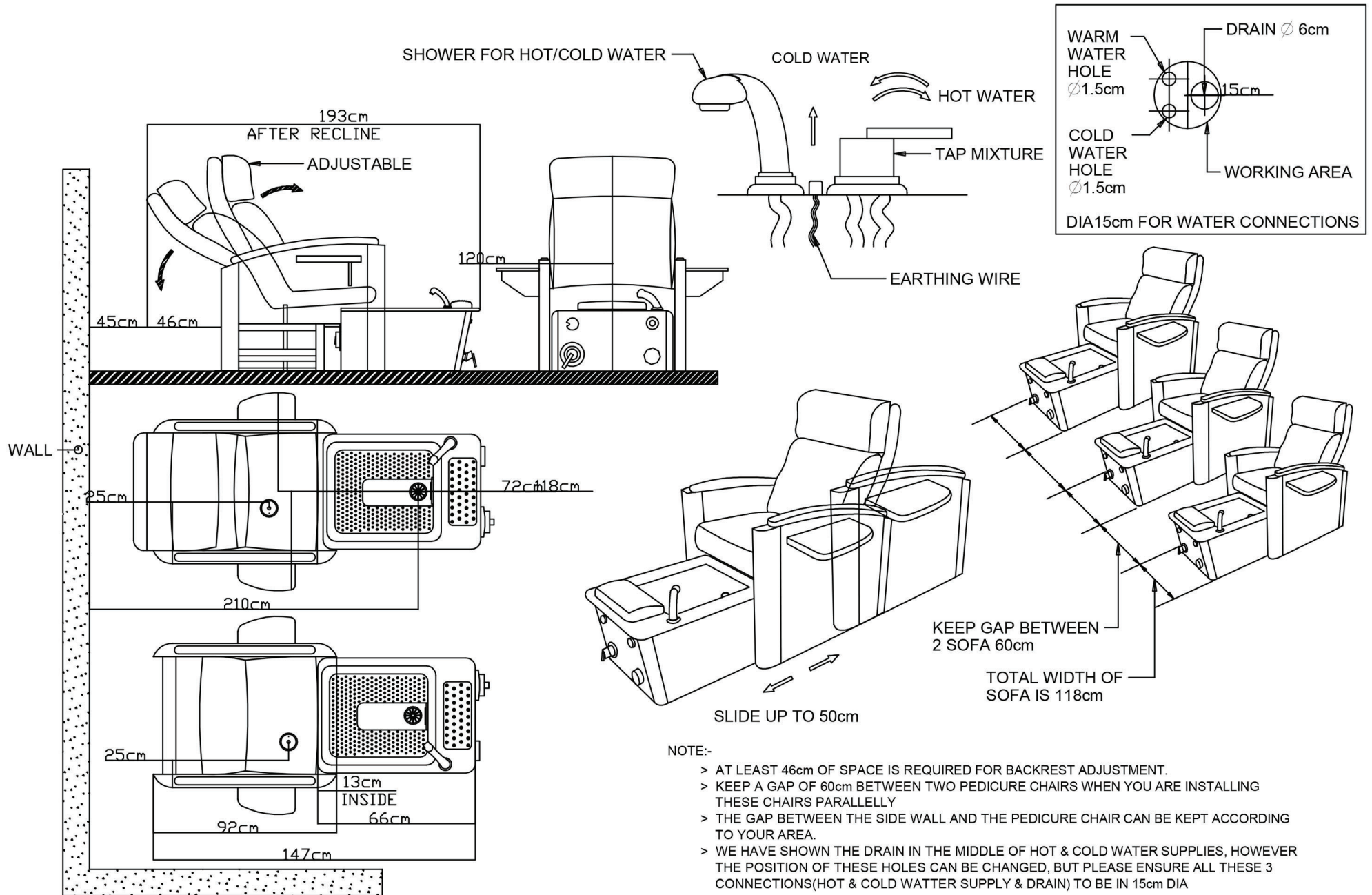
WEIGHTS

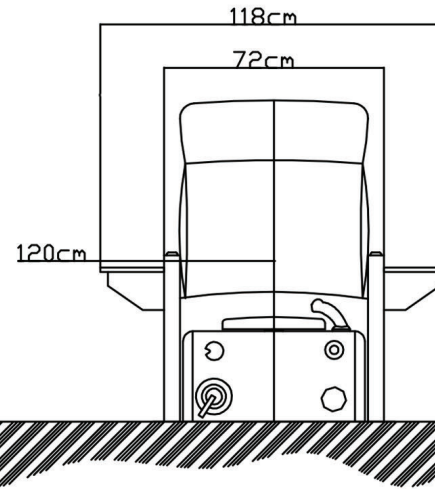
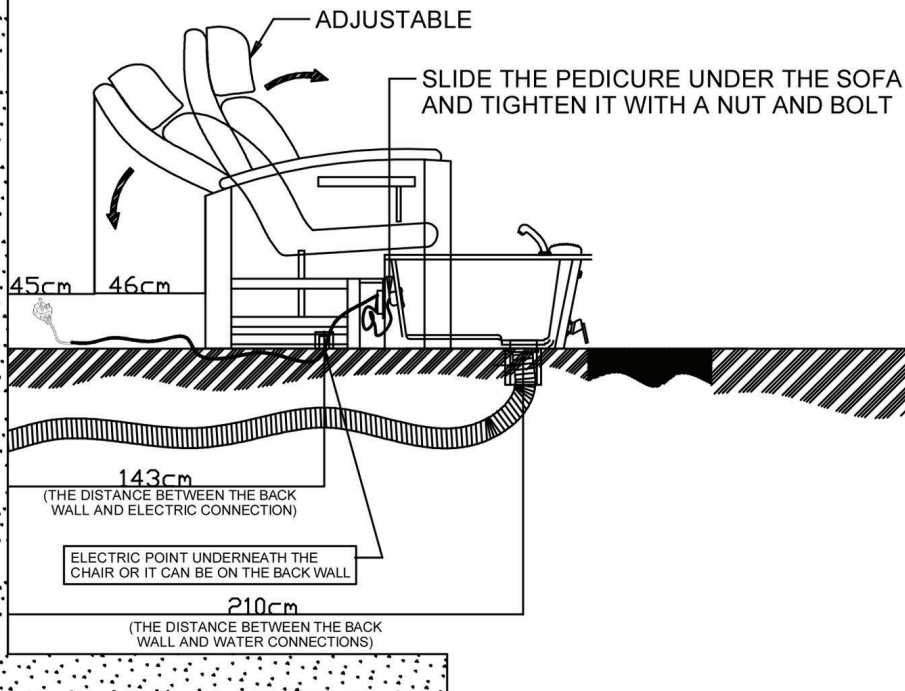
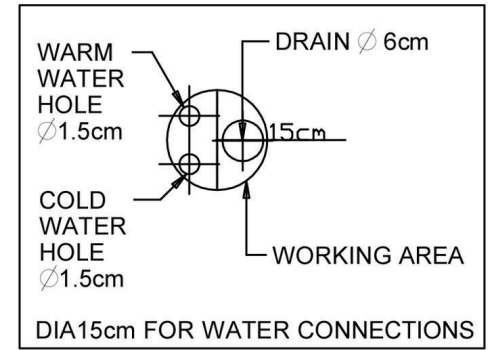
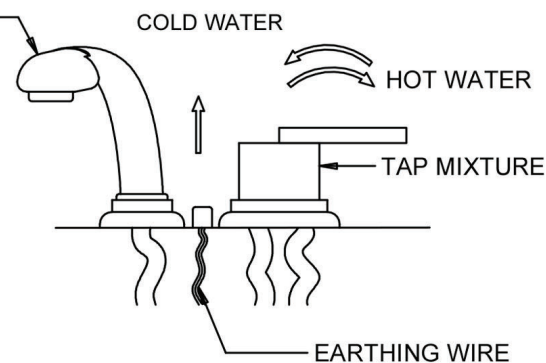
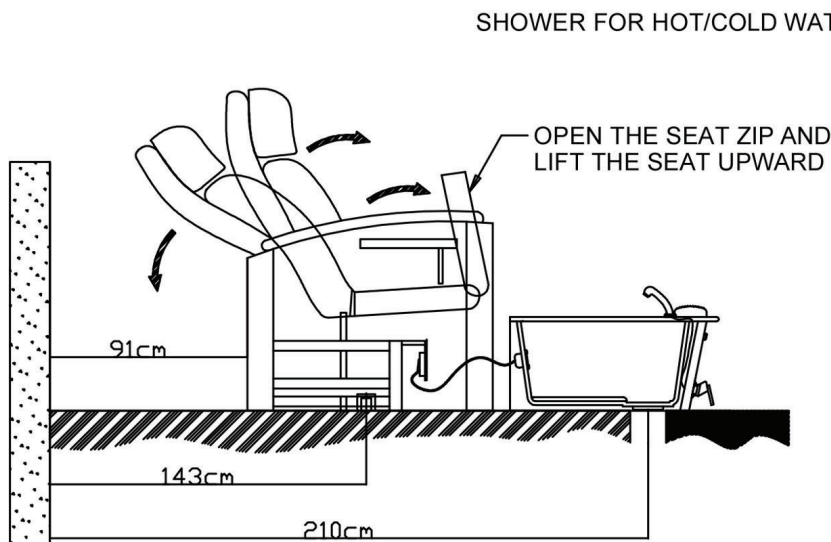
- Net Weight 130 Kgs
- Shipping Weight 185 Kgs
- Shipping Dimension Chair - L 105 x W 86 x H 96 cm and Pedicure Spa L 76 x W 69 x H 60 cm

DIMENSIONS



All dimensions are in mm





NOTE:-

- > AT LEAST 46cm OF SPACE IS REQUIRED FOR BACKREST ADJUSTMENT.
- > KEEP A GAP OF 60cm BETWEEN TWO PEDICURE CHAIRS WHEN YOU ARE INSTALLING THESE CHAIRS PARALLELLY
- > THE GAP BETWEEN THE SIDE WALL AND THE PEDICURE CHAIR CAN BE KEPT ACCORDING TO YOUR AREA.
- > WE HAVE SHOWN THE DRAIN IN THE MIDDLE OF HOT & COLD WATER SUPPLIES, HOWEVER THE POSITION OF THESE HOLES CAN BE CHANGED, BUT PLEASE ENSURE ALL THESE 3 CONNECTIONS(HOT & COLD WATTER SUPPLY & DRAIN) TO BE IN 15cm DIA

IT IS THE RESPONSIBILITY OF THE OWNER OR INSTALLER TO ENSURE THE INSTALLATION CONFORMS TO ALL LOCAL PLUMBING CODES AND REGULATIONS. THIS LAYOUT IS ONLY FOR REFERENCE PURPOSE.