

ANANDI

Anandi Foot Reflexology Chair set is a masterpiece in solid wood craftsmanship designed for ultimate comfort and therapeutic indulgence. This set includes three essential pieces: the guest chair, ottoman and therapist stool, meticulously crafted to enhance the foot reflexology and manicure experience.

Each element of the Anandi set is thoughtfully designed for functionality and elegance. The seating angle is precisely calibrated to ensure optimal relaxation during foot massages, while the wide armrests provide perfect support for simultaneous manicure treatments.



DESIGN

Ergonomically designed for comfort & relaxation.

FOAM CUSHION

Soft 40mm Density and Latex Foam

FRAME STRUCTURE

Solid Wood Construction and Tenon & Mortise Joinery

AREA OF USE

Relaxed laid back design
Wide armrests for manicure
Suitable for foot reflexology, manicure and can be used as foot ritual chair

LIFTING CAPACITY

150 Kgs

UPHOLSTERY

Type	Phthalate-Free Upholstery	Veridura : Ultra Soft Upholstery
Thickness	1.01 mm	1 mm
Tensile Strength	ISO 1421, 804 N / 5cm	ISO 1421, 869.22 N / 5cm
Features	Fire Retardant, Acetone & Disinfectant Resistant	Anti-Bacterial, Stain resistant, 20 years hydrolysis resistant
Weight	732 g / sqmt	726.7 g / sqmt
Abrasion	ISO 5470-2 = 2,00,000 cycles / min	ISO 5470-2 = 2,00,000 cycles / min

WOOD FINISH

Dark Walnut, Yellow Teak and Wenge

WARRANTY

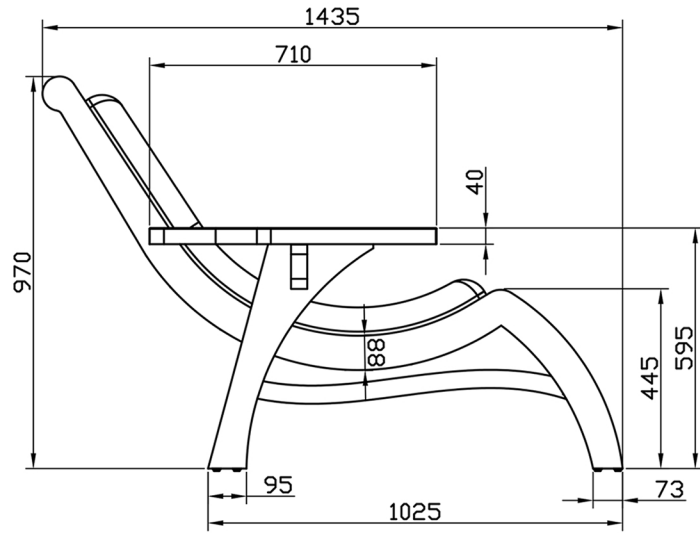
1 year against any manufacturing defects

WEIGHTS

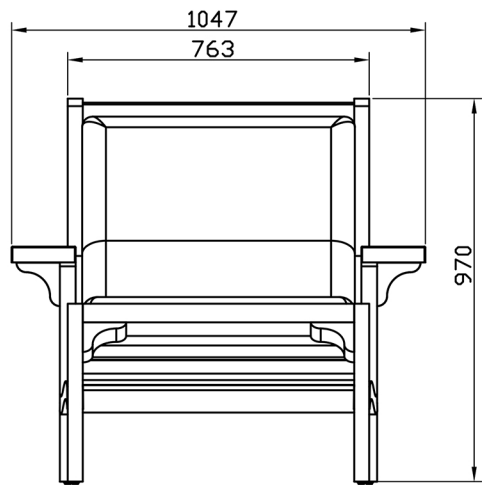
Net Weight 70 Kgs
Shipping Weight 125 Kgs
Shipping Dimension L 139 x W 115 x H 116 cm

DIMENSIONS

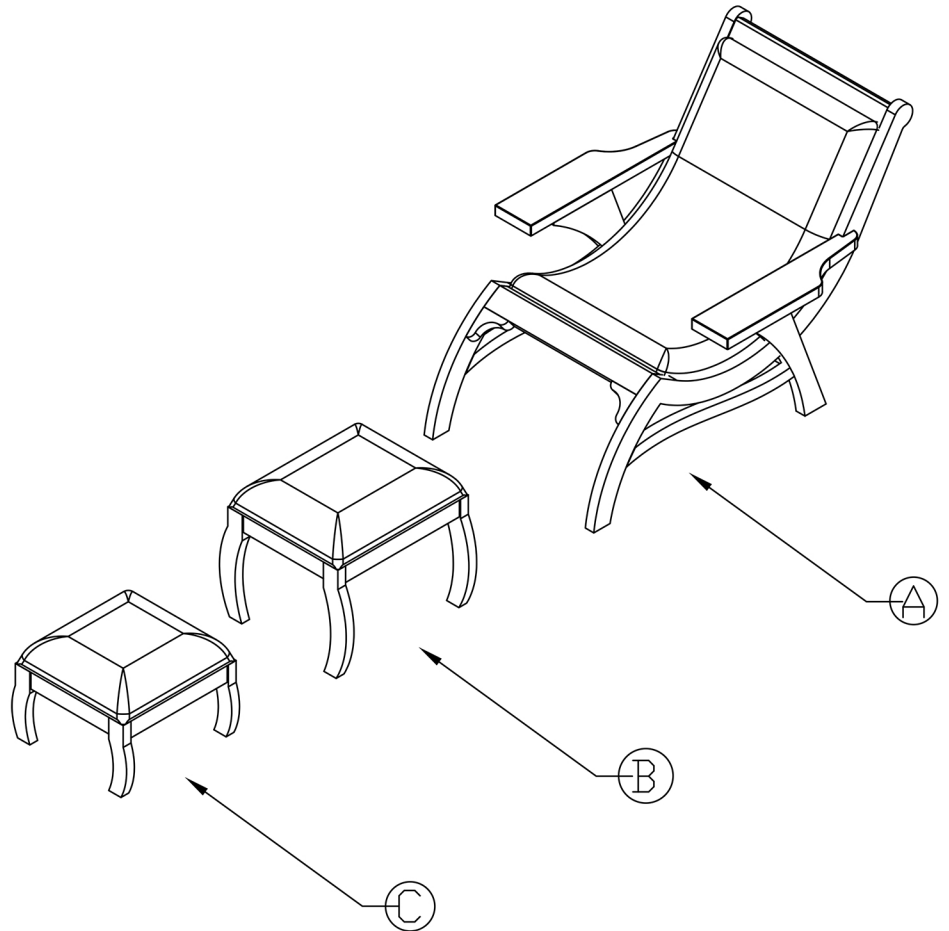
DETAIL : A



SIDE VIEW



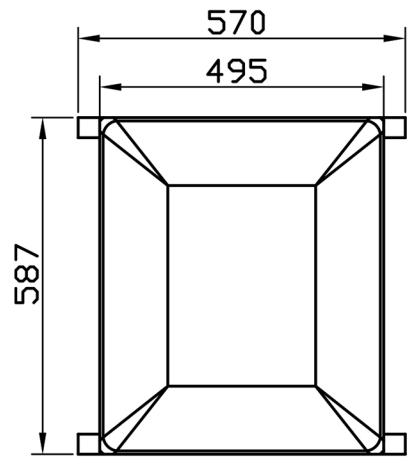
FRONT VIEW



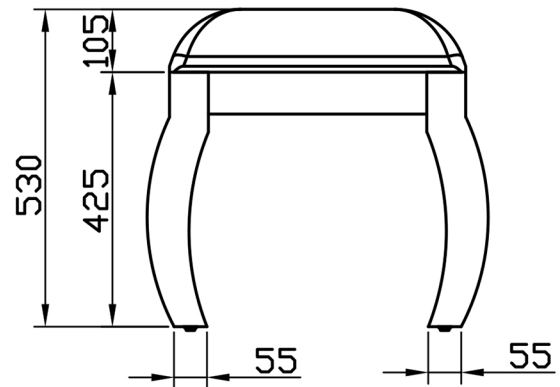
All dimensions are in mm

DIMENSIONS

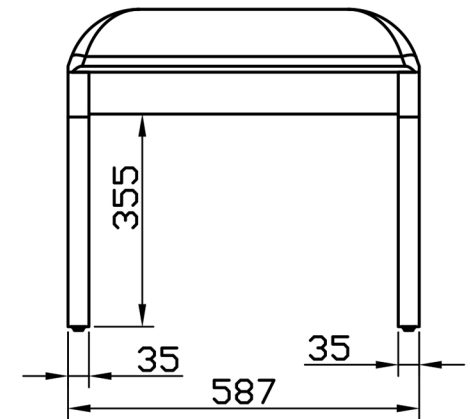
DETAIL : B



TOP VIEW

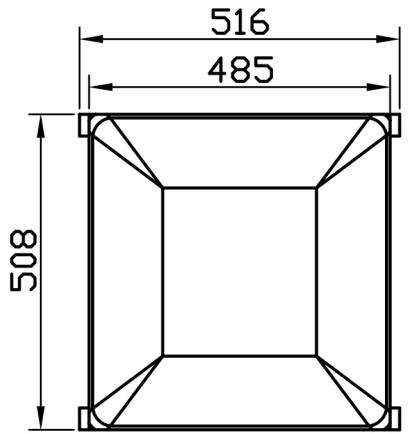


FRONT VIEW

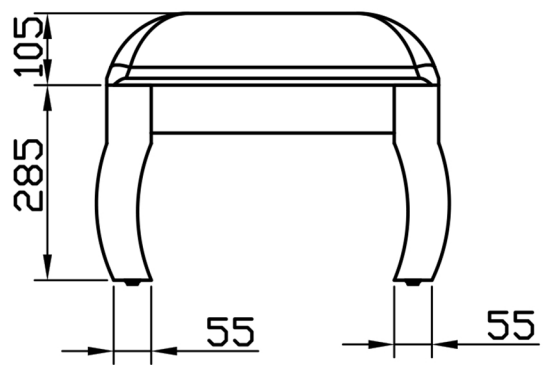


SIDE VIEW

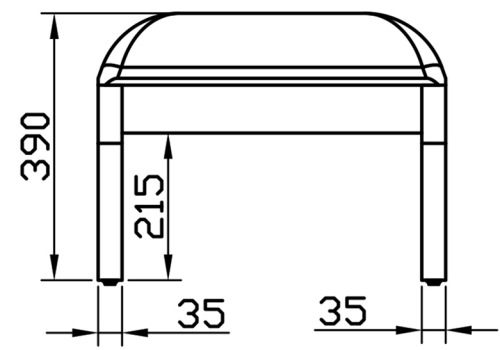
DETAIL : C



TOP VIEW



FRONT VIEW



SIDE VIEW

All dimensions are in mm