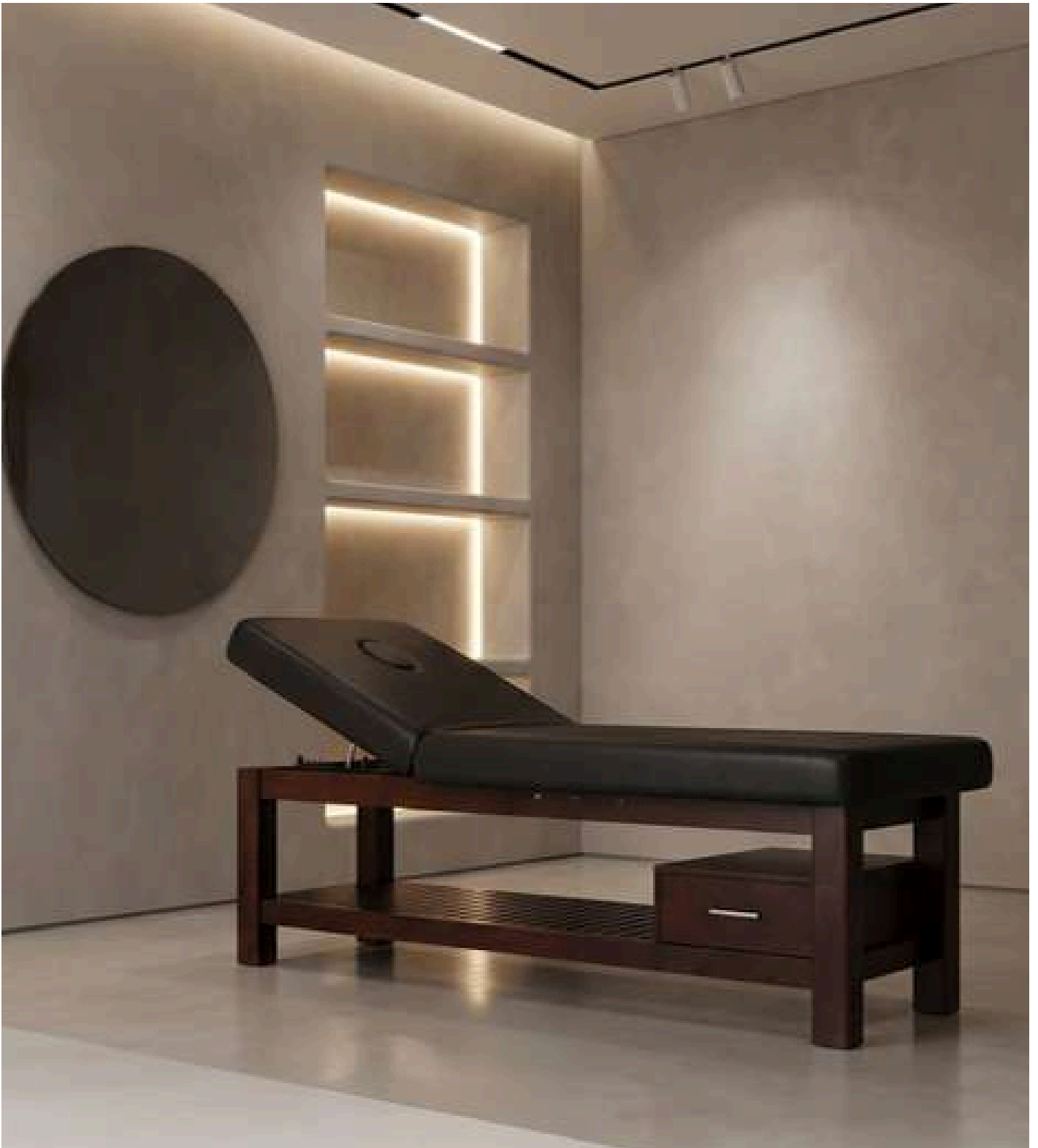


The Angad Massage Bed is thoughtfully designed for modern spas and wellness centres, combining a sleek strut-style structure with practical functionality. Its fixed-height frame ensures excellent stability during treatments, while the adjustable backrest provides versatility to accommodate a range of therapies. A conveniently integrated storage drawer keeps essentials within easy reach, enhancing workflow efficiency. Finished with premium upholstery and soft foam cushioning, the Angad delivers lasting comfort for clients while supporting therapists throughout every session.



# KEY FEATURES



## Strong & Stable Strut Design

Built with a solid wood frame and reinforced strut structure, the Angad Massage Bed offers exceptional stability and durability, making it ideal for continuous use in professional spa environments.

## Integrated Storage Convenience

Equipped with a practical utility drawer, the Angad keeps essential spa items within easy reach, helping maintain an organized and efficient workspace.

## Comfort with Adjustable Backrest

Designed for versatile treatments, the manually adjustable backrest, soft foam cushioning, and integrated nose slot ensure optimal comfort and ergonomic support for both clients and therapists.

## Phthalate-Free Upholstery

Available in Phthalate-Free upholstery across its spa furniture range, offering a safer and more eco-conscious alternative with lasting comfort and durability. The upholstery combines refined aesthetics with professional-grade performance.

## FEATURES

Backrest	Manually Adjustable
Height	Fixed Height
Foam Cushion	75 mm multi layer of 40 density foam for comfortable massage experience
Structural Strength	Mortise & Tenon joinery construction

## TECHNICAL SPECIFICATIONS

Length	1995 mm / 78.5 in
Width	840 mm / 33 in
Height	745 mm / 29.3 in

## BASE & FRAME

Base	Solid Wood
Safe Working Load	250 kgs
Load Bearing capacity	180 kgs

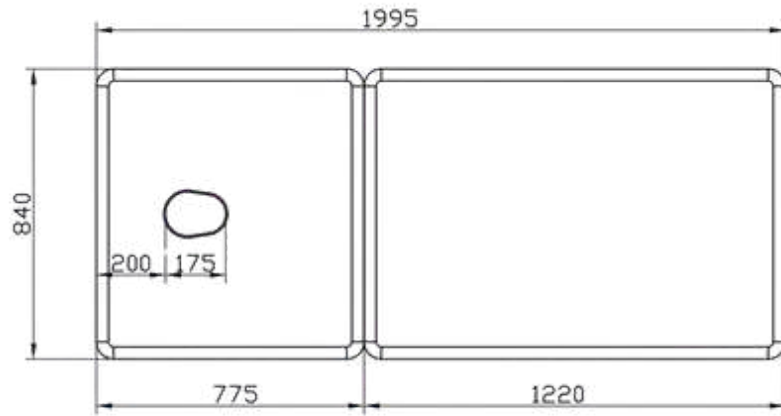
## UPHOLSTERY

Type	Phthalate-Free Upholstery
Thickness	1.01 mm
Tensile Strength	ISO 1421, 804 N/ 5 cm
Colour Options	Cream, Beige, Mouse Grey, Brown
Weight	732 g / sqmt
Abrasion	ISO 5470-2 = 2,00,000 cycles / min

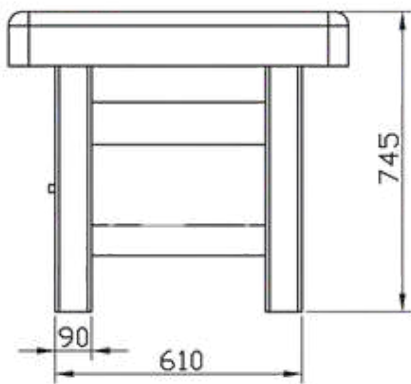
## WARRANTY

1 year againts any manufacturing defects

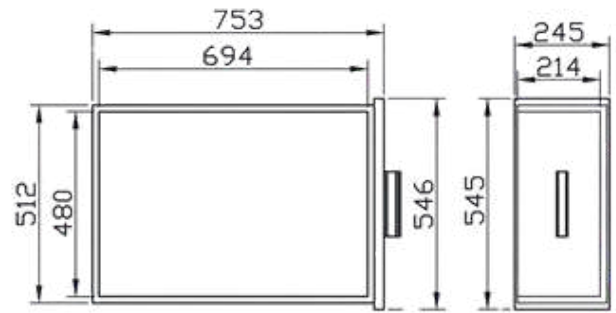
# TECHNICAL DRAWINGS



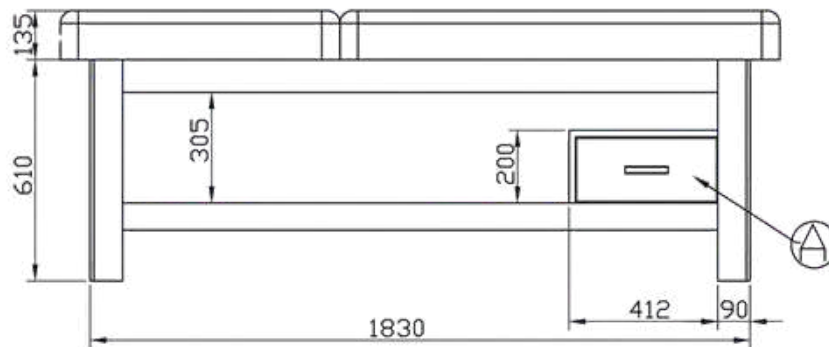
TOP VIEW



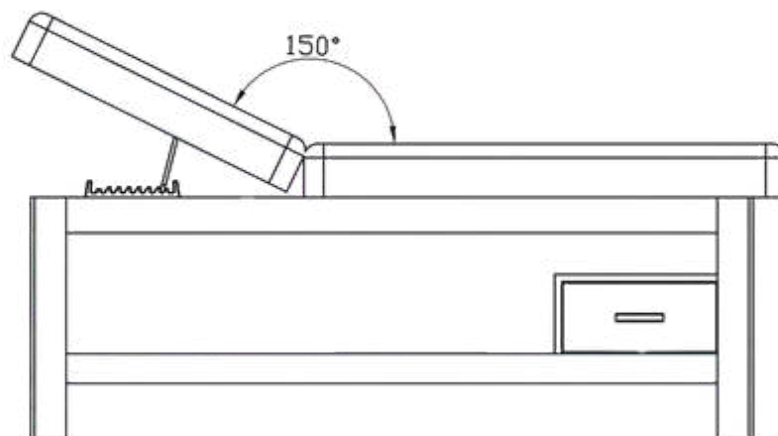
FRONT VIEW



DETAIL: A



SIDE VIEW



ALL DIMENSIONS ARE IN MM

## WOOD FINISH OPTIONS



Natural Spruce



Yellow Teak



Dark Walnut



Wenge

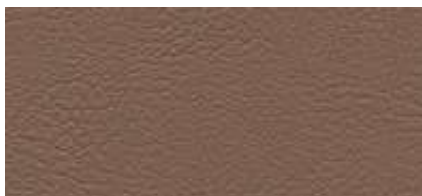
## PHTHALATE-FREE UPHOLSTERY



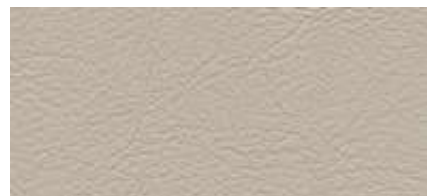
Cream



Beige



Brown



Mouse Grey