

ANGAD

The Angad Massage Bed is perfect for spas and wellness centers, designed with a sleek, functional strut design and a handy storage drawer. It offers stability with a fixed height and versatility with an adjustable backrest for client comfort and therapist efficiency. Premium upholstery and foam cushioning ensure a comfortable experience, ideal for spa owners and therapists.



DESIGN

Two Section top Mattress

FOAM

120 m m mixed layers of different densities for comfortable massage experience

FRAME STRUCTURE

Solid wood construction with Tenon & Mortise Joinery
Reclining Mechanism is Nylon and SS 304 (corrosion resistant material)

ADJUSTMENTS

Height Fixed Height
Backrest Manually Adjustable

STORAGE

Drawer Size 480 x 694 x 214 mm (LxDxH)

LIFTING CAPACITY

250 kgs

UPHOLSTERY

Type	Phthalate-Free Upholstery	Veridura : Ultra Soft Upholstery
Thickness	1.01 mm	1 mm
Tensile Strength	ISO 1421, 804 N / 5cm	ISO 1421, 869.22 N / 5cm
Features	Fire Retardant, Acetone & Disinfectant Resistant	Anti-Bacterial, Stain resistant, 20 years hydrolysis resistant
Weight	732 g / sqmt	726.7 g / sqmt
Abrasion	ISO 5470-2 = 2,00,000 cycles / min	ISO 5470-2 = 2,00,000 cycles / min

WOOD FINISH

Dark Walnut, Wenge, Natural

WARRANTY

Structure 5 Years
Upholstery 1 Year

WEIGHTS

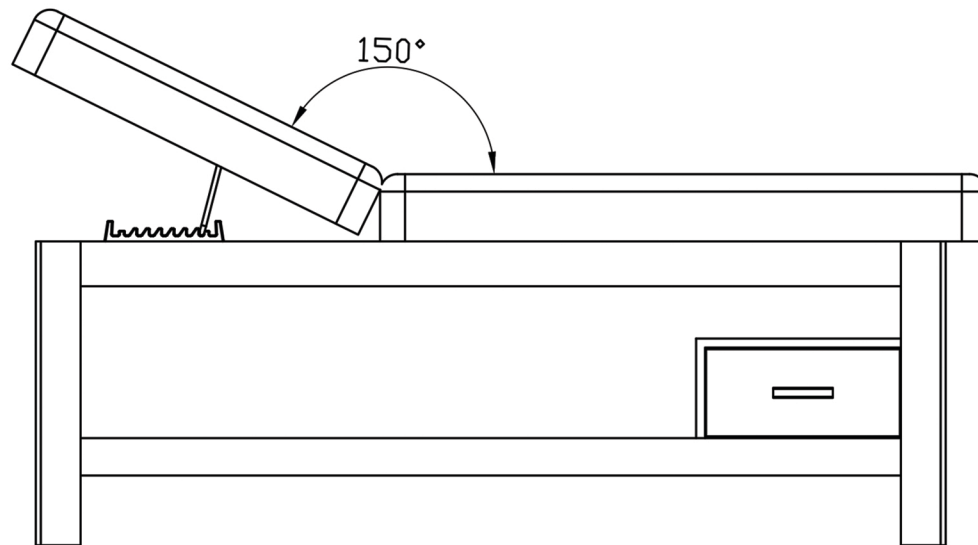
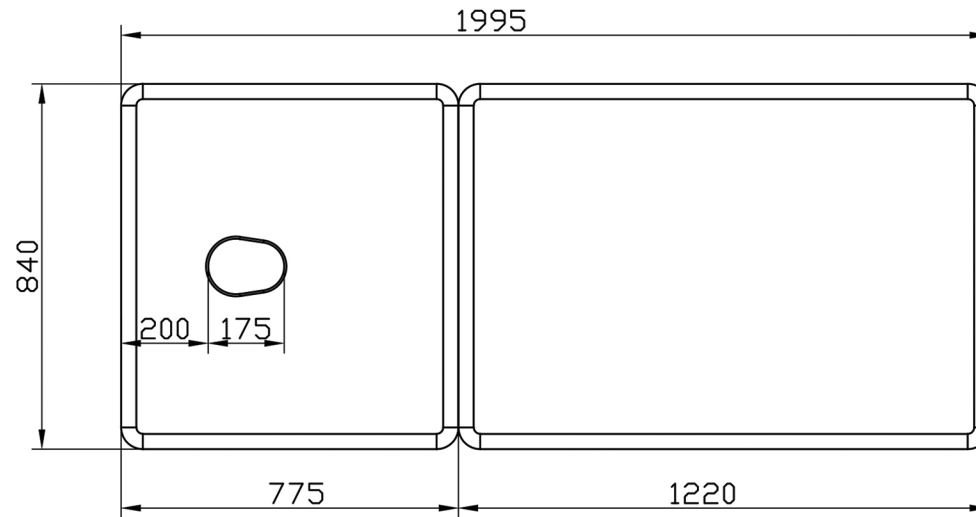
Table Weight 82 Kgs
Shipping weight 140 Kgs
Shipping Dimensions L 207 X W 91 X H 91 CMS

OPTIONAL

Manual height adjustment can be added at extra costs

DIMENSIONS

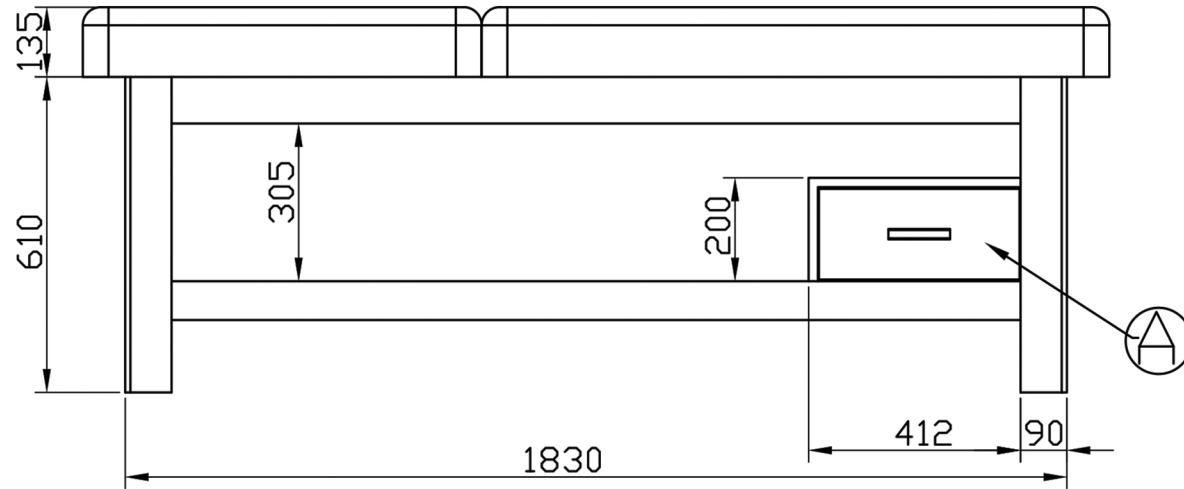
TOP VIEW



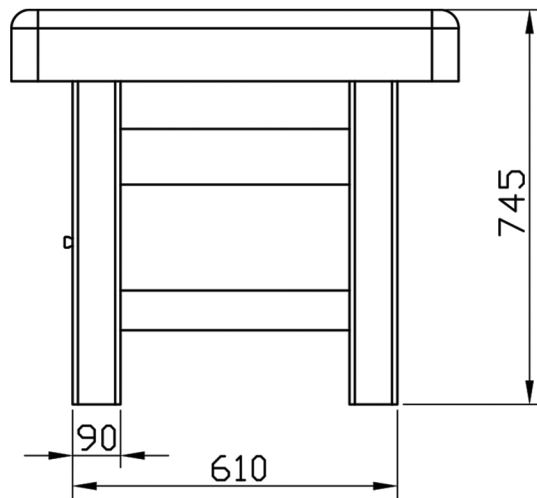
All dimensions are in mm

DIMENSIONS

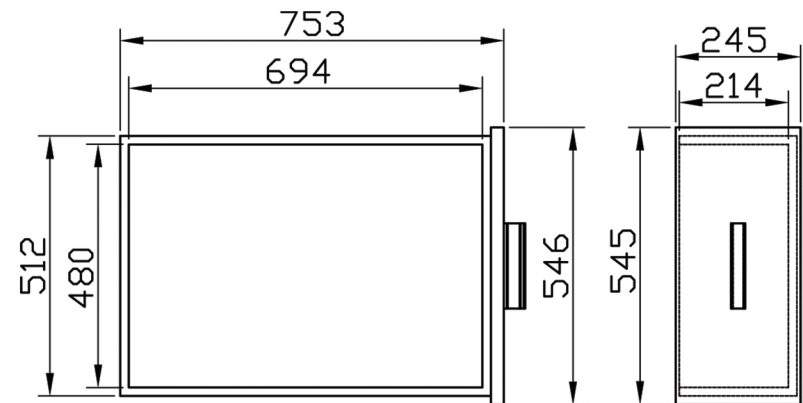
FRONT VIEW



SIDE VIEW



DETAIL: A



All dimensions are in mm