

The Bliss Hardwood Massage Bed by Esthetica combines premium teak wood craftsmanship with exceptional durability and timeless elegance. Built using traditional mortise and tenon joinery, it is designed for both indoor and outdoor spa environments with weather-resistant finishes and exterior-grade upholstery. Featuring a handcrafted face cradle, adjustable height, and reclining backrest, the Bliss delivers superior comfort, functionality, and a luxurious massage experience.



KEY FEATURES



Premium Teak Wood Craftsmanship

Crafted from high-quality teak wood with traditional mortise and tenon joinery, the Bliss Massage Bed combines exceptional durability with timeless elegance, making it ideal for luxury spa environments.

Comfort-Driven Functional Design

Equipped with a detachable face cradle, manually adjustable height, and reclining backrest, the Bliss Massage Bed ensures superior comfort, ergonomic support, and flexibility for a wide range of therapies.

Built for Indoor & Outdoor Wellness Spaces

Designed for versatility, the Bliss features weather-resistant wood coating and exterior-grade upholstery, making it perfectly suited for both indoor spas and outdoor wellness spaces, including seaside locations.

Phthalate-Free Upholstery

Available in Phthalate-Free upholstery across its spa furniture range, offering a safer and more eco-conscious alternative with lasting comfort and durability. The upholstery combines refined aesthetics with professional-grade performance.

FEATURES

Backrest	Manually Adjustable
Height	Manually Adjustable
Face Cradle	Detachable face cradle
Foam Cushion	75 mm multi layer of 40 density foam for comfortable massage experience
Structural Strength	Mortise & Tenon joinery construction

TECHNICAL SPECIFICATIONS

Length	1995 mm / 78.5 in
Width	820 mm / 32.2 in
Minimum height	732 mm / 28.8 in
Maximum height	832 mm / 32.7 in

BASE & FRAME

Base	Solid Wood
Safe Working Load	250 kgs
Load Bearing capacity	180 kgs

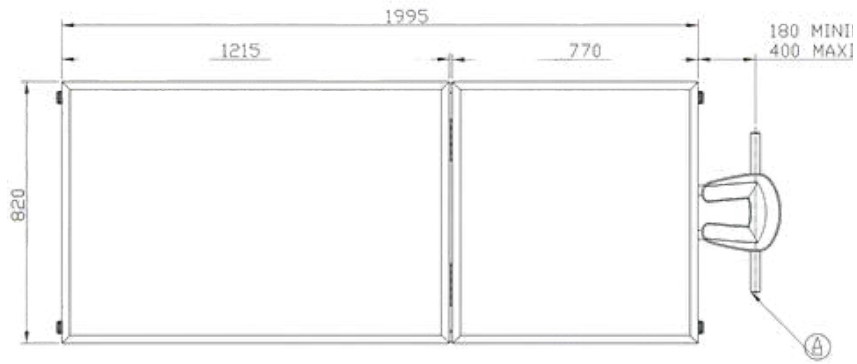
UPHOLSTERY

Type	Phthalate-Free Upholstery
Thickness	1.01 mm
Tensile Strength	ISO 1421, 804 N/ 5 cm
Colour Options	Cream, Beige, Mouse Grey, Brown
Weight	732 g / sqmt
Abrasion	ISO 5470-2 = 2,00,000 cycles / min

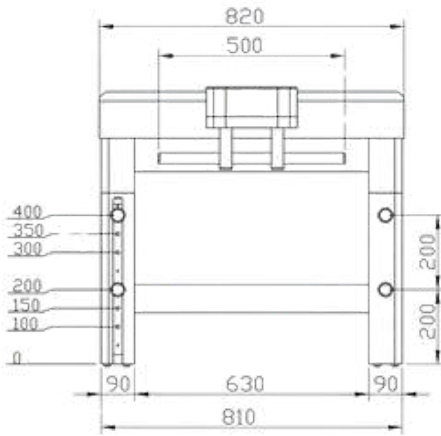
WARRANTY

1 year againts any manufacturing defects

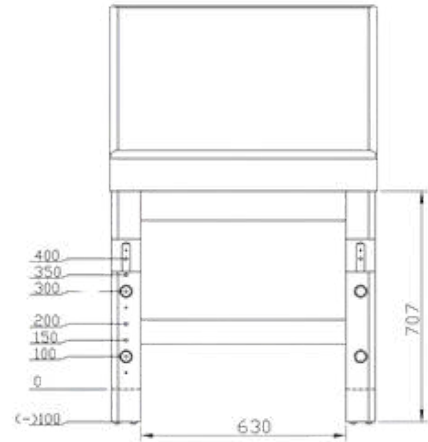
TECHNICAL DRAWINGS



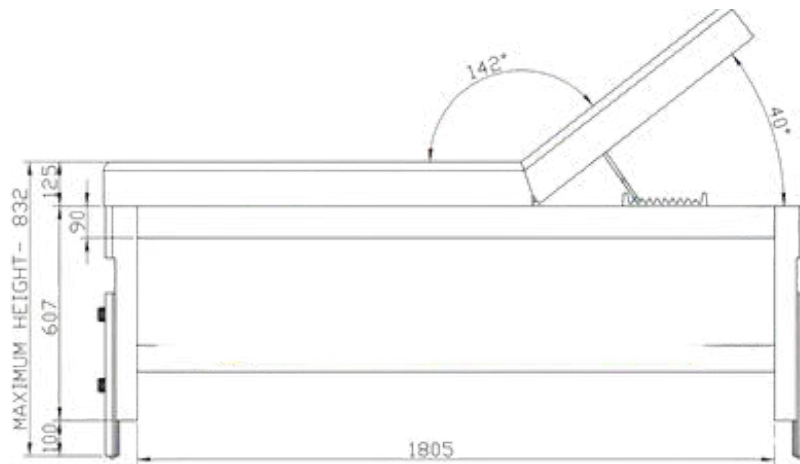
TOP VIEW



DETAIL A



FRONT VIEW



MAXIMUM HEIGHT



MINIMUM HEIGHT

ALL DIMENSIONS ARE IN MM

WOOD FINISH OPTIONS



Natural Spruce



Yellow Teak



Dark Walnut



Wenge

PHTHALATE-FREE UPHOLSTERY



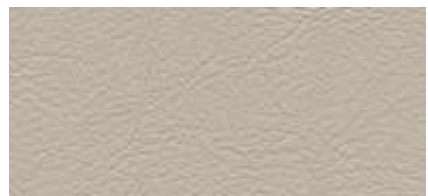
Cream



Beige



Brown



Mouse Grey