

BLISS HARDWOOD

The Bliss Hardwood Massage Bed by Esthetica embodies luxury and durability. Made from premium teak wood using tenon and mortise joinery, this top-selling massage table combines elegance and robustness. Available for indoor or outdoor use with an exterior-grade wood coating and saltwater-resistant upholstery, ideal for coastal locations. The bed includes a handcrafted face cradle, manually adjustable height, and adaptable backrest for exceptional comfort and functionality, enhancing the massage experience at any establishment



TOP DESIGN

Two Section top Mattress

FEATURES

Crafted in premium teak wood for outdoor and indoor use
Exterior Grade Wood Coatings to with stand harsh weather conditions
Salt water resistant upholstery
Detachable face cradle

FOAM

120 mm mixed layers of different densities for comfortable massage experience

FRAME STRUCTURE

Solid Teak wood construction with tenon & mortise Joinery
Reclining Mechanism is Nylon and SS 304 (corrosion resistant material)

ADJUSTMENTS

Height Manually Adjustable
Backrest Manually Adjustable

STORAGE

Open storage underneath to store spa essentials and towels.

LOAD BEARING CAPACITY

250 kgs

UPHOLSTERY

Type	Phthalate-Free Upholstery	Veridura : Ultra Soft Upholstery
Thickness	1.01 mm	1 mm
Tensile Strength	ISO 1421, 804 N / 5cm	ISO 1421, 869.22 N / 5cm
Features	Fire Retardant, Acetone & Disinfectant Resistant	Anti-Bacterial, Stain resistant, 20 years hydrolysis resistant
Weight	732 g / sqmt	726.7 g / sqmt
Abrasion	ISO 5470-2 = 2,00,000 cycles / min	ISO 5470-2 = 2,00,000 cycles / min

WOOD FINISH

Natural Teak, Natural Teak White Wash, Yellow Teak, Dark Walnut

WARRANTY

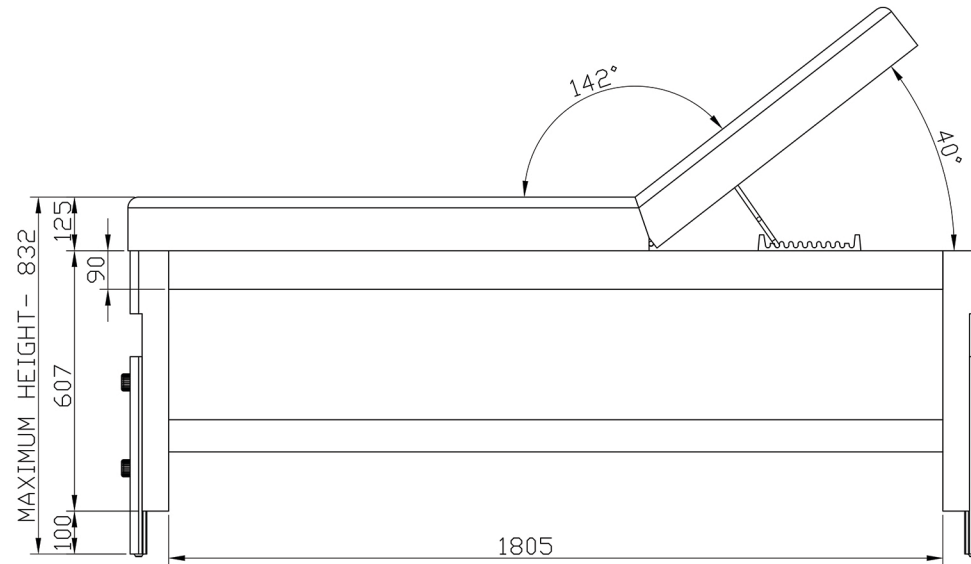
Structure 5 Years
Upholstery 1 Year

WEIGHTS

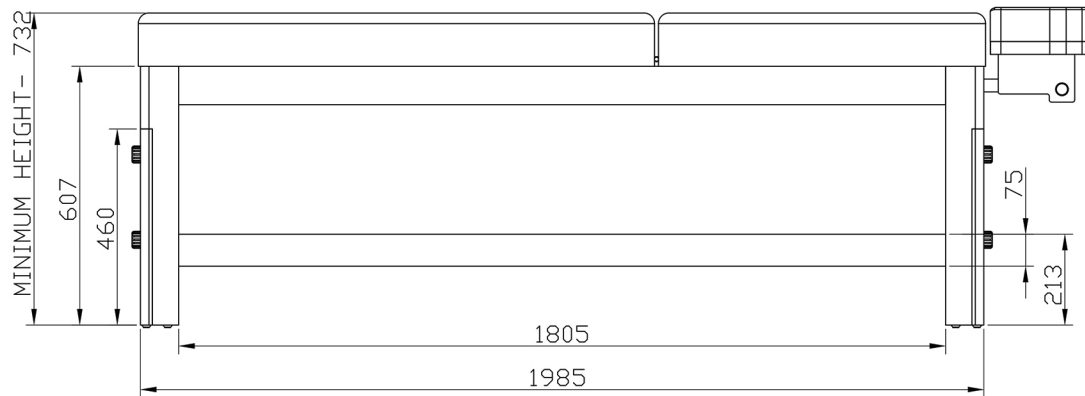
Table Weight 90 Kgs
Shipping weight 150 Kgs
Shipping Dimensions L 211 X W 91 X H 91 CMS

DIMENSIONS

MAXIMUM HEIGHT



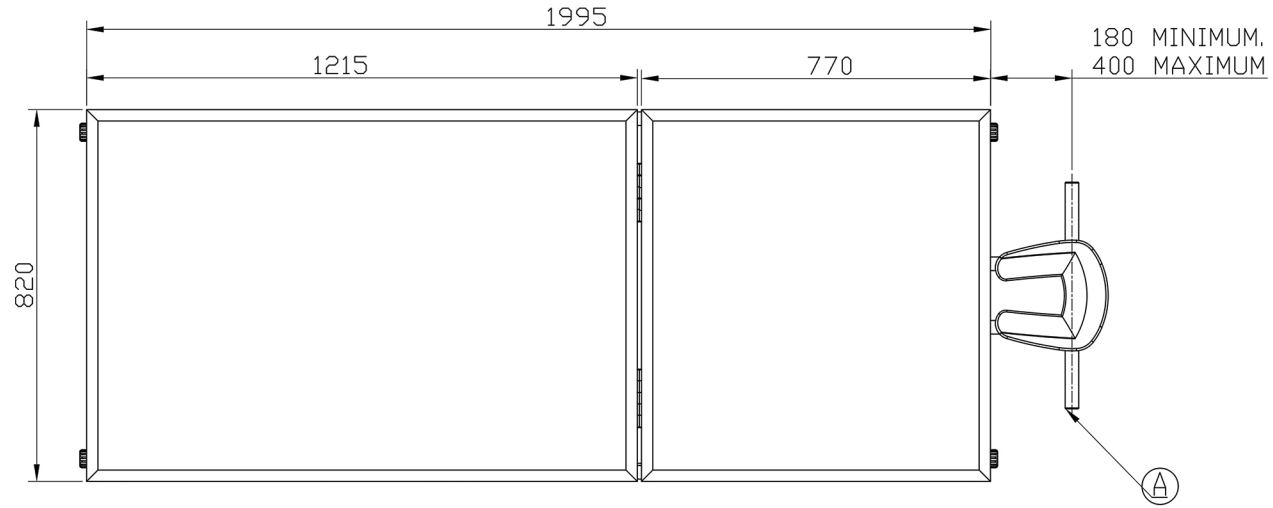
MINIMUM HEIGHT



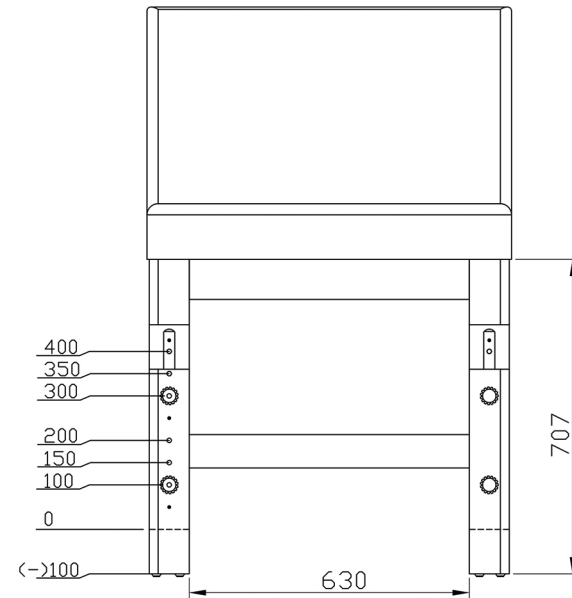
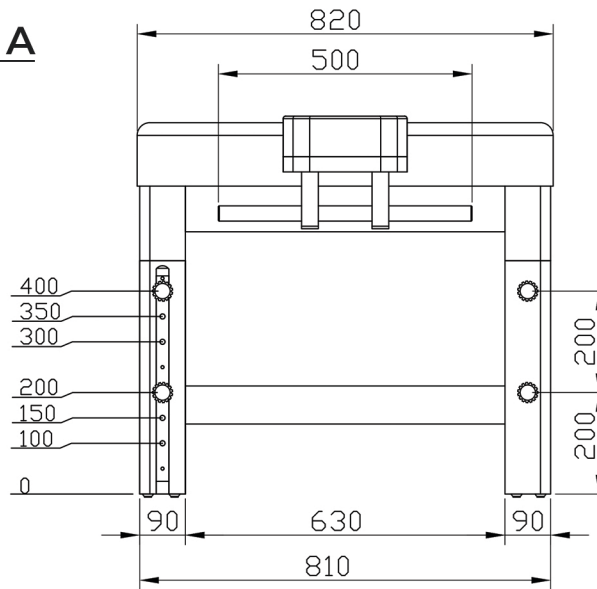
All dimensions are in mm

DIMENSIONS

TOP VIEW



DETAIL: A



All dimensions are in mm