

The Kaya Massage Bed is Esthetica's professionally designed massage table, combining practical functionality with refined comfort for spa and wellness environments. Featuring a manually adjustable backrest and height adjustment for enhanced therapist ergonomics — it offers a versatile solution for a variety of massage and body treatments. Constructed using the traditional mortise and tenon technique for superior stability and strength, the Kaya also includes ample dual-side storage for easy access to essential spa items. Premium cushioning and elegant upholstery complete the experience, bringing comfort, durability, and timeless style to the treatment room.



KEY FEATURES



Exceptional Structural Strength

Built using traditional mortise and tenon joinery, the Kaya Massage Bed delivers superior stability and long-lasting durability. This robust construction ensures reliable performance in demanding spa environments while maintaining a refined handcrafted aesthetic.

Smart Integrated Storage

Designed with generous under-bed storage space, the Kaya keeps towels, oils, and spa essentials conveniently within reach from both sides. This practical layout helps maintain an organized and efficient treatment environment.

Adjustable Comfort for Therapists & Guests

The manually adjustable height and reclining backrest allow therapists to customize positioning for different treatments with ease. This flexibility enhances therapist ergonomics while ensuring optimal comfort and support for guests throughout every session.

Phthalate-Free Upholstery

Available in Phthalate-Free upholstery across its spa furniture range, offering a safer and more eco-conscious alternative with lasting comfort and durability. The upholstery combines refined aesthetics with professional-grade performance.

FEATURES

Backrest	Manually Adjustable
Height	Manually Adjustable
Foam Cushion	75 mm multi layer of 40 density foam for comfortable massage experience
Structural Strength	Mortise & Tenon joinery construction

TECHNICAL SPECIFICATIONS

Length	1995 mm / 78.5 in
Width	840 mm / 33 in
Minimum height	745 mm / 29.3 in
Maximum height	845 mm / 33.2 in

BASE & FRAME

Base	Solid Wood
Safe Working Load	250 kgs
Load Bearing capacity	180 kgs

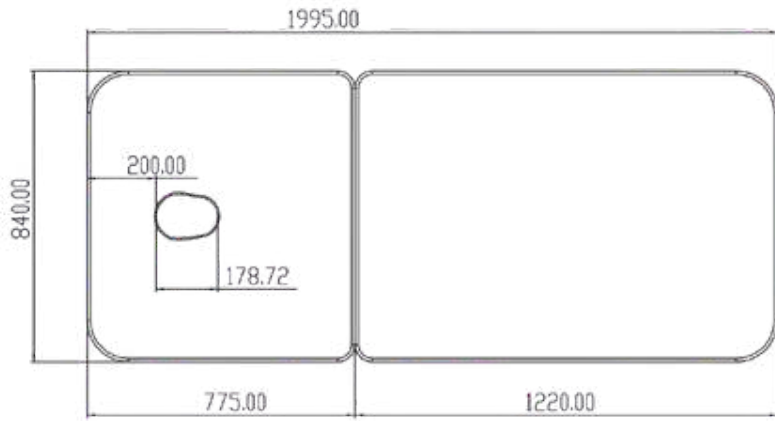
UPHOLSTERY

Type	Phthalate-Free Upholstery
Thickness	1.01 mm
Tensile Strength	ISO 1421, 804 N/ 5 cm
Colour Options	Cream, Beige, Mouse Grey, Brown
Weight	732 g / sqmt
Abrasion	ISO 5470-2 = 2,00,000 cycles / min

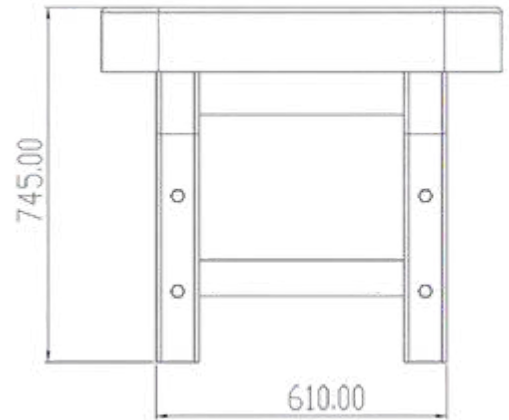
WARRANTY

1 year againts any manufacturing defects

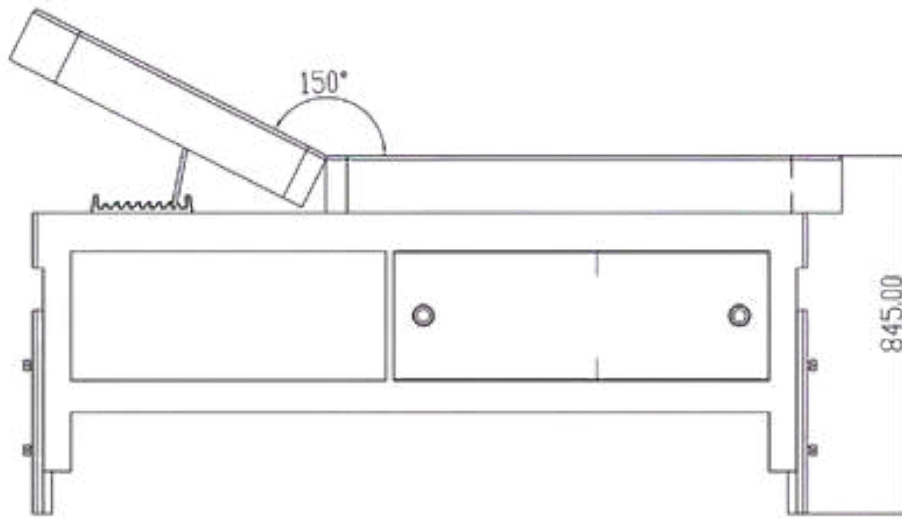
TECHNICAL DRAWINGS



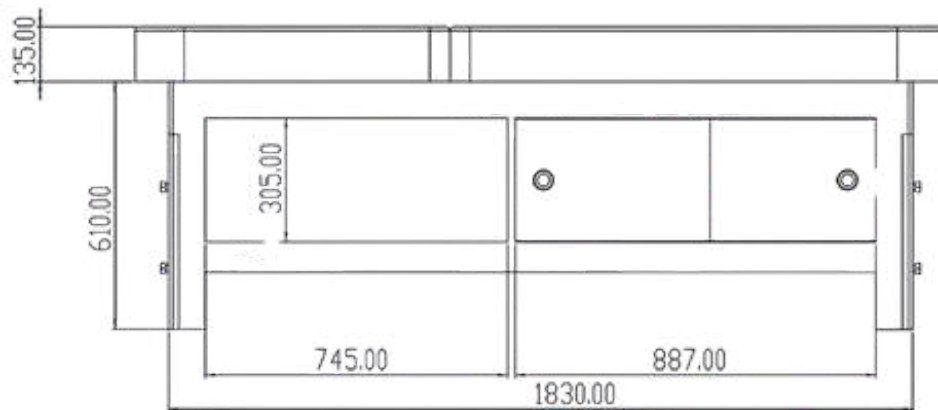
TOP VIEW



FRONT VIEW



SIDE VIEW



ALL DIMENSIONS ARE IN MM

WOOD FINISH OPTIONS



Natural Spruce



Yellow Teak



Dark Walnut



Wenge

PHTHALATE-FREE UPHOLSTERY



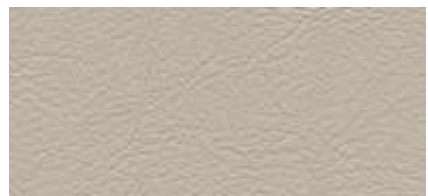
Cream



Beige



Brown



Mouse Grey