

KAYA

Kaya Massage Bed is a perfect massage bed designed for professional spa use crafted using the mortise and tenon technique for superior stability and strength. It features adjustable backrest and height settings to accommodate massage preferences



DESIGN

Two Section top Mattress

FOAM CUSHION

120 mm mixed layers of different densities for comfortable massage experience

FRAME STRUCTURE

Solid Wood construction with tenon & mortise Joinery
Reclining Mechanism in Nylon and SS304 (corrosion resistant material)

ADJUSTMENTS

Height Fixed Height
Back Rest Manually Adjustable

LIFTING CAPACITY

250 Kgs

UPHOLSTERY:

Type	Phthalate-Free Upholstery	Veridura : Ultra Soft Upholstery
Thickness	1.01 mm	1 mm
Tensile Strength	ISO 1421, 804 N / 5cm	ISO 1421, 869.22 N / 5cm
Features	Fire Retardant, Acetone & Disinfectant Resistant	Anti-Bacterial, Stain resistant, 20 years hydrolysis resistant
Weight	732 g / sqmt	726.7 g / sqmt
Abrasion	ISO 5470-2 = 2,00,000 cycles / min	ISO 5470-2 = 2,00,000 cycles / min

WOOD FINISH:

Dark Walnut, Wenge, Natural

WARRANTY:

1 year against any manufacturing defects

DIMENSIONS

Bed L 199.5 x W 84 x H 74.5 cm
Storage Space L 91 x D 52 x H 31 cm

WEIGHTS:

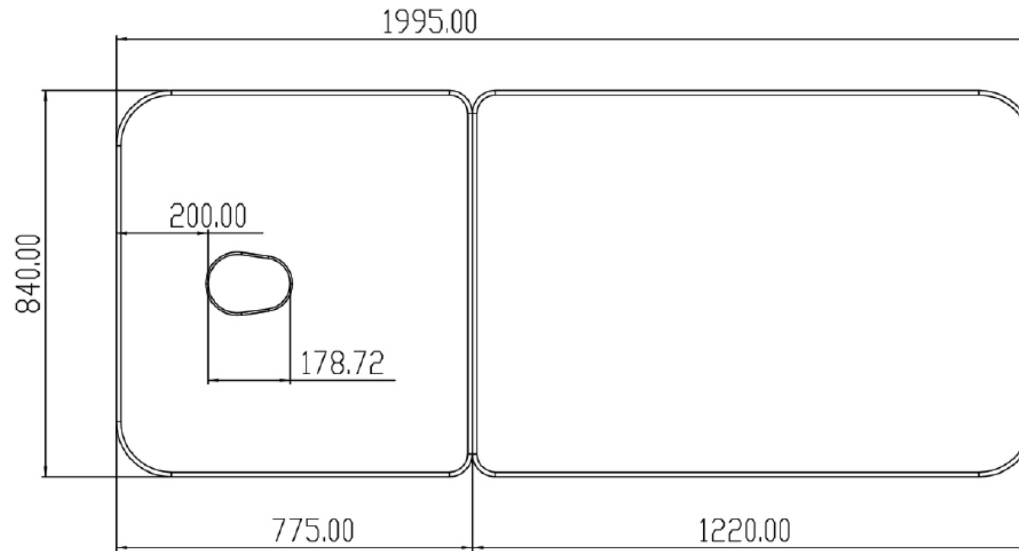
Net Weight 85 Kgs
Shipping Weight 115 Kgs
Shipping Dimension L 211 x W 91 x H 92 cm

OPTIONAL:

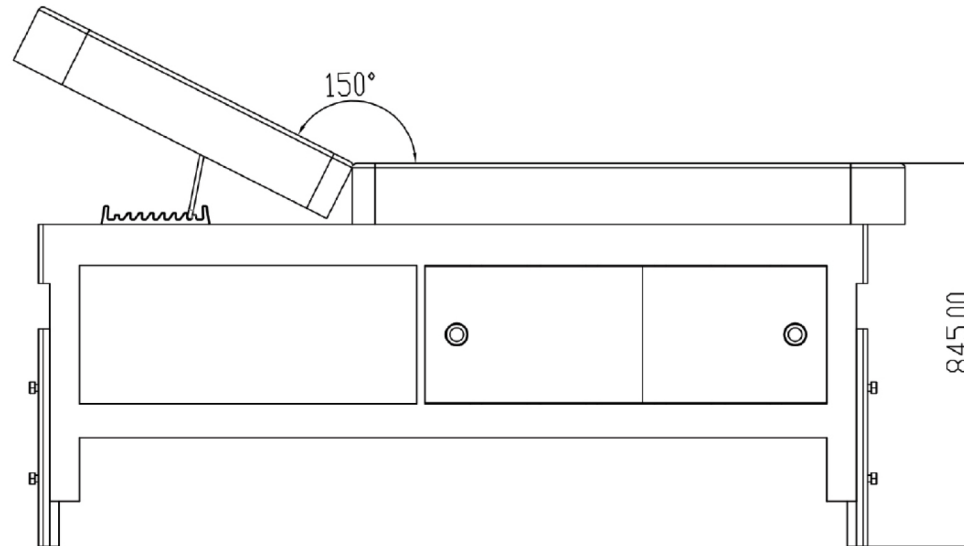
Height adjustment feature can be added on request

DIMENSIONS

TOP VIEW

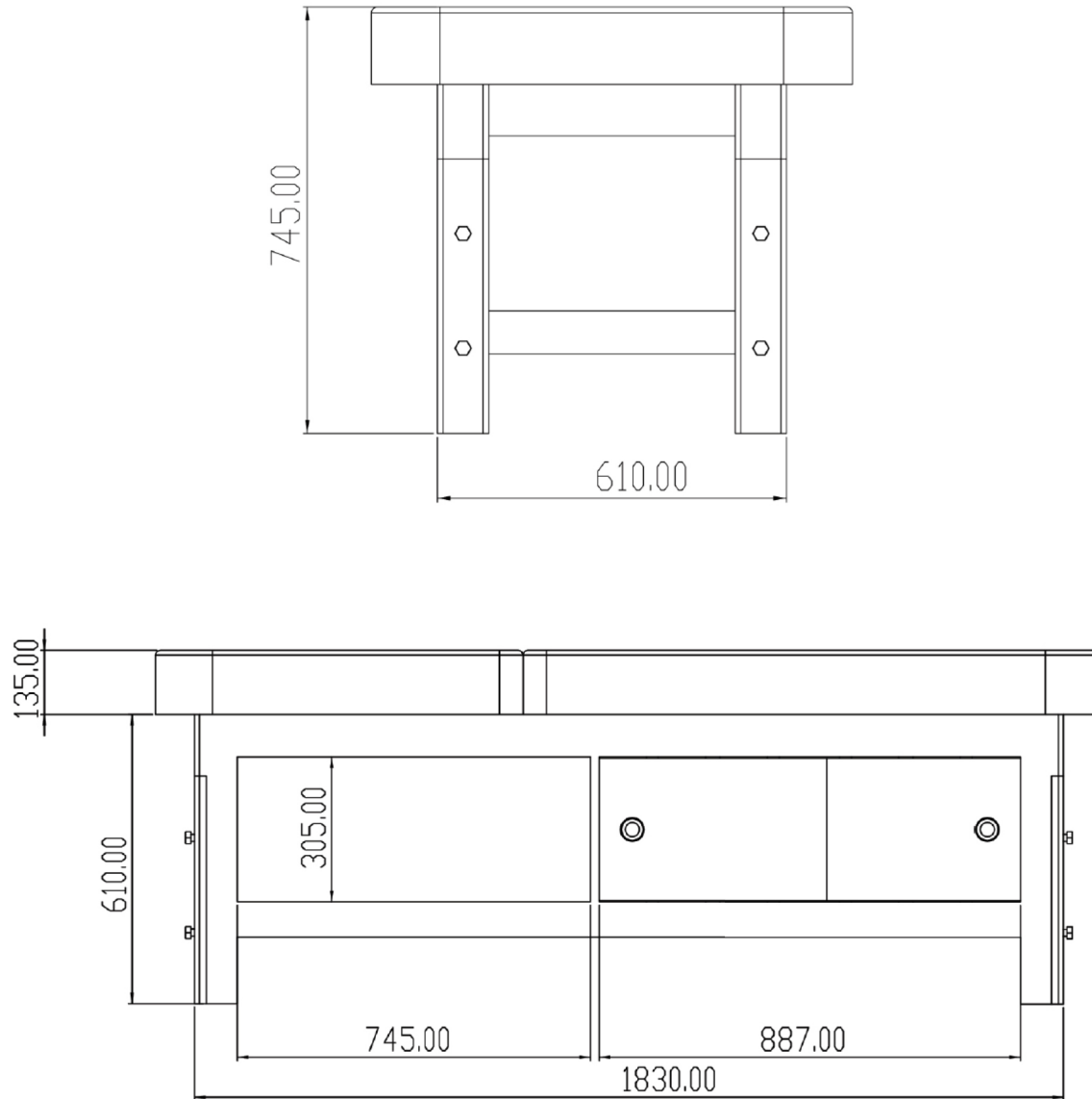


SIDE VIEW



All dimensions are in mm

DIMENSIONS



All dimensions are in mm