

# KUMUD

Kumud Foot Reflexology Sofa is a simple, elegant design sofa suitable for pedicure and foot massage treatments. The backrest on this sofa is electronically controlled and can be inclined and reclined as per guest comfort



## DESIGN

Electronic Foot Reflexology Sofa with 2 Ottoman

## FOAM CUSHION

Multiple density foam cushion (Combination 40 Density and 32 Density Soft Foam Cushion)

## FRAME STRUCTURE

Powder Coated Mild Steel Frame and Plywood Structure

## FEATURES

Electronic controlled backrest  
Detachable seat cushion  
Wooden Armrest and Wooden Base  
Handheld remote to recline or incline the backrest position

## ADJUSTMENTS

Electronically adjusted through 1 x 6000 N Actuator

## LIFTING CAPACITY

250 Kgs

## UPHOLSTERY

Type	Phthalate-Free Upholstery	Veridura : Ultra Soft Upholstery
Thickness	1.01 mm	1 mm
Tensile Strength	ISO 1421, 804 N / 5cm	ISO 1421, 869.22 N / 5cm
Features	Fire Retardant, Acetone & Disinfectant Resistant	Anti-Bacterial, Stain resistant, 20 years hydrolysis resistant
Weight	732 g / sqmt	726.7 g / sqmt
Abrasion	ISO 5470-2 = 2,00,000 cycles / min	ISO 5470-2 = 2,00,000 cycles / min

## WOOD FINISH

Natural American White Oak PU, Natural American White Oak Water Base, Open Pour White Finish (RAL 9010), Open Pour Black, Dark Walnut, Yellow Teak, Wenge

## WARRANTY

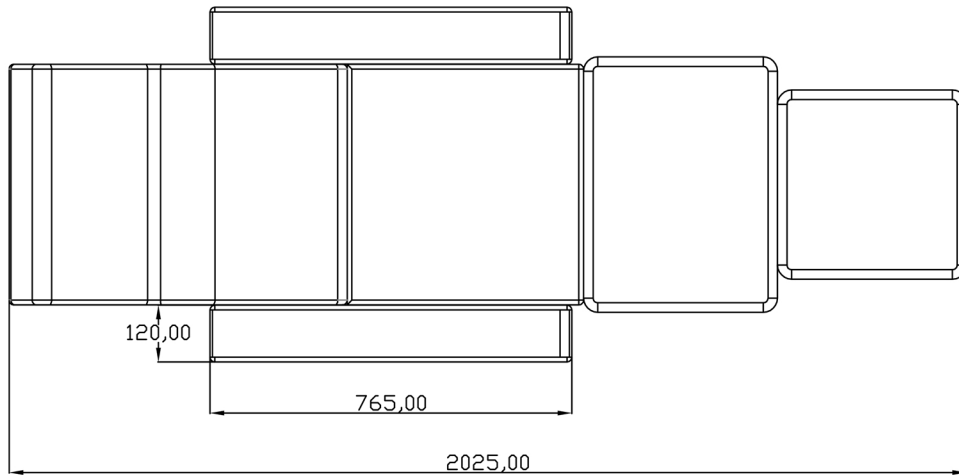
Structure 1 years  
Electronic Motors & Controls 2 years

## WEIGHTS

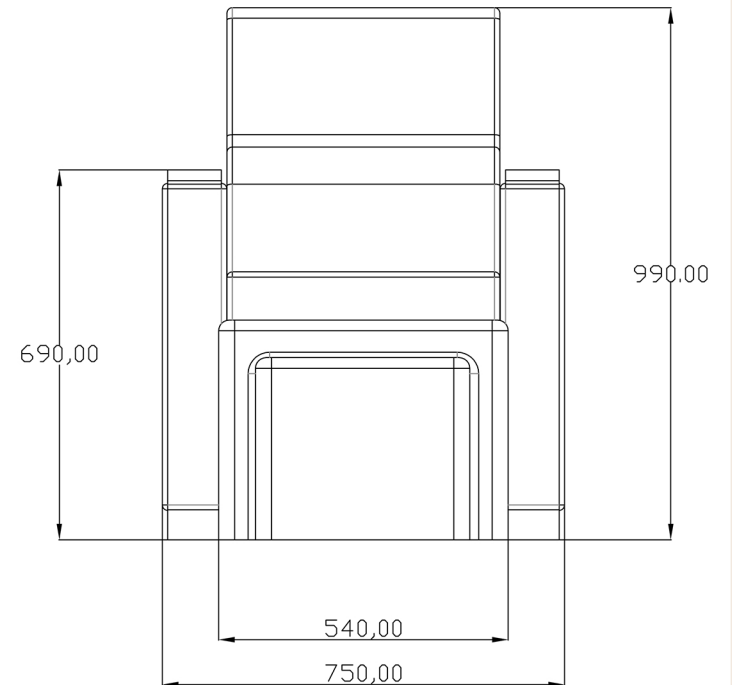
Net Weight 75 Kgs  
Shipping Weight 110 Kgs  
Shipping Dimension L 97 x W 84 x H 113 cm

## DIMENSIONS

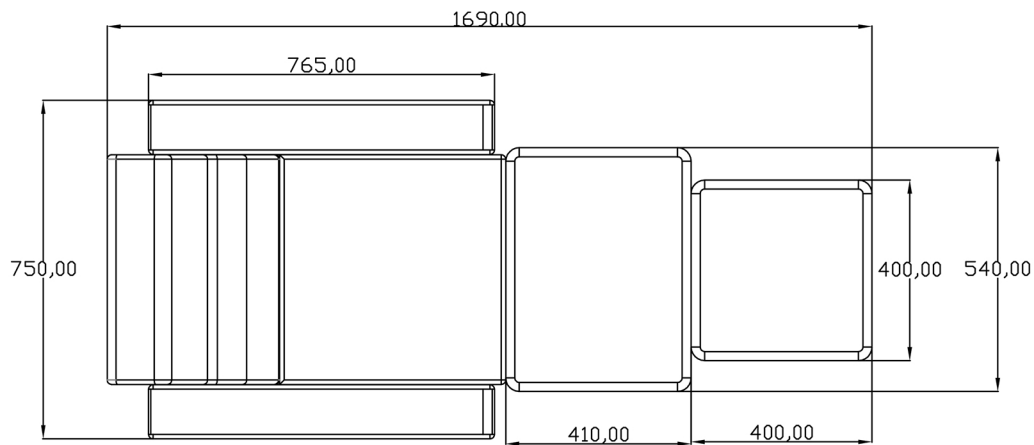
### TOP VIEW (IN RECLINE BACKREST POSITION)



### TOP VIEW (IN CHAIR POSITION)

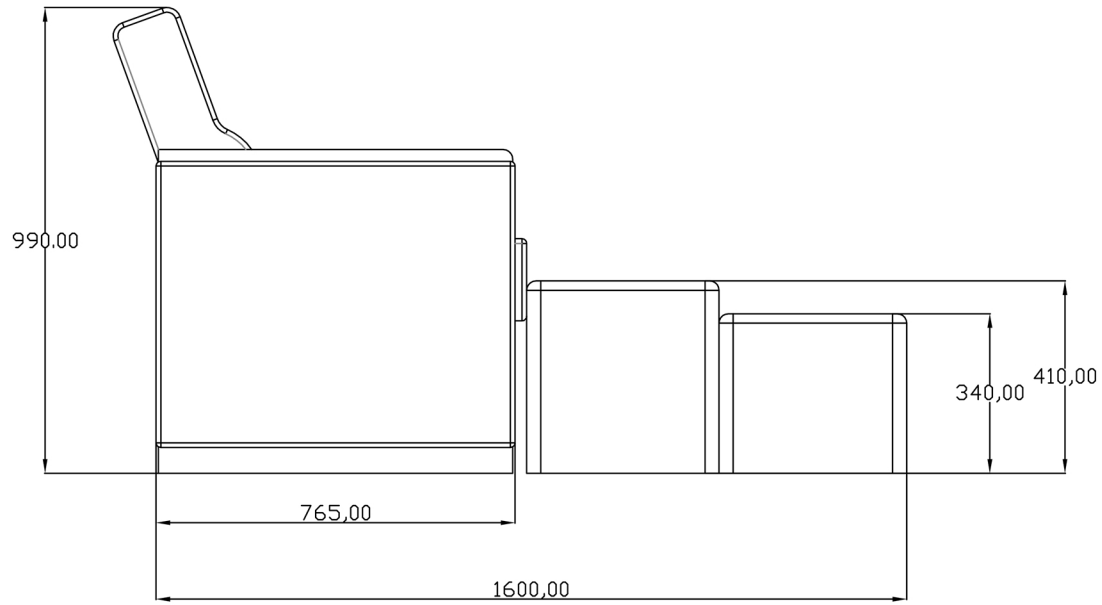


### TOP VIEW (IN INCLINE BACKREST POSITION)

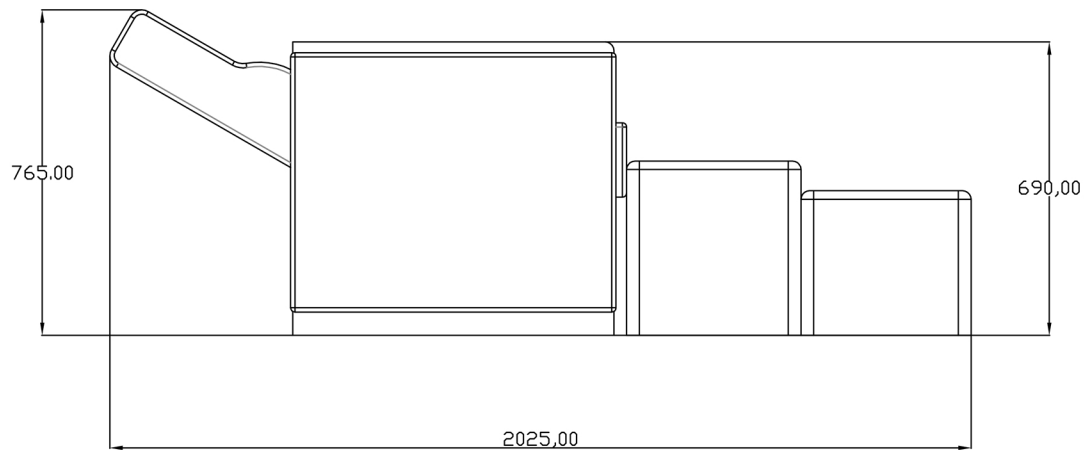


All dimensions are in mm

## MAXIMUM HEIGHT



## MINIMUM HEIGHT



All dimensions are in mm