

MAHARAJA

Maharaja is a versatile treatment table suitable for massage and beauty treatments. Professional 4 motors design for electronic height, backrest and leg rest adjustments. It comes with a detachable armrests, face cradle and head pillow. There is ample storage space underneath to store your spa essentials.



DESIGN

Four piece adjustable top cushion

FOAM CUSHION

170 mm mixed layers of different densities for comfortable massage experience

FRAME STRUCTURE

Natural Wood, Natural Wood Veneer and Powder Coated Mild Steel Frame

ADJUSTMENTS

Height	Electronically adjusted through 2 x 6000N Actuators
Backrest	Electronically adjusted through 1 x 6000N Actuator
Leg Rest	Electronically adjusted through 1 x 6000N Actuator
Arm Rest	Lockable Gas Springs

LIFTING CAPACITY

250 Kgs

UPHOLSTERY

Type	Phthalate-Free Upholstery	Veridura : Ultra Soft Upholstery
Thickness	1.01 mm	1 mm
Tensile Strength	ISO 1421, 804 N / 5cm	ISO 1421, 869.22 N / 5cm
Features	Fire Retardant, Acetone & Disinfectant Resistant	Anti-Bacterial, Stain resistant, 20 years hydrolysis resistant
Weight	732 g / sqmt	726.7 g / sqmt
Abrasion	ISO 5470-2 = 2,00,000 cycles / min	ISO 5470-2 = 2,00,000 cycles / min

WOOD FINISH

Natural American White Oak PU, Natural American White Oak Water Base, Open Pour White Finish (RAL 9010), Open Pour Black, Dark Walnut, Yellow Teak, Wenge

WARRANTY

Structure	3 years
Electronic Motors & Controls	2 years

WEIGHTS

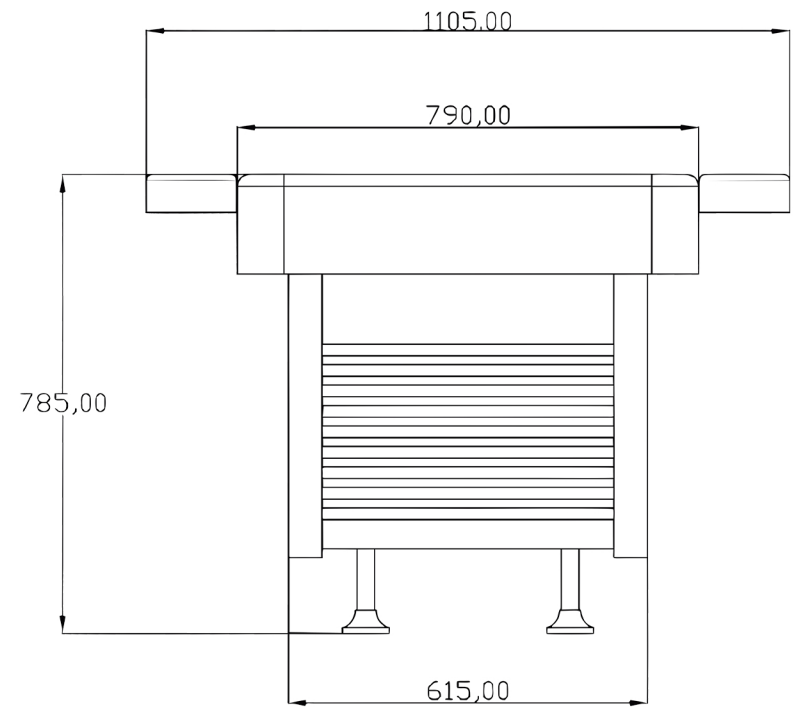
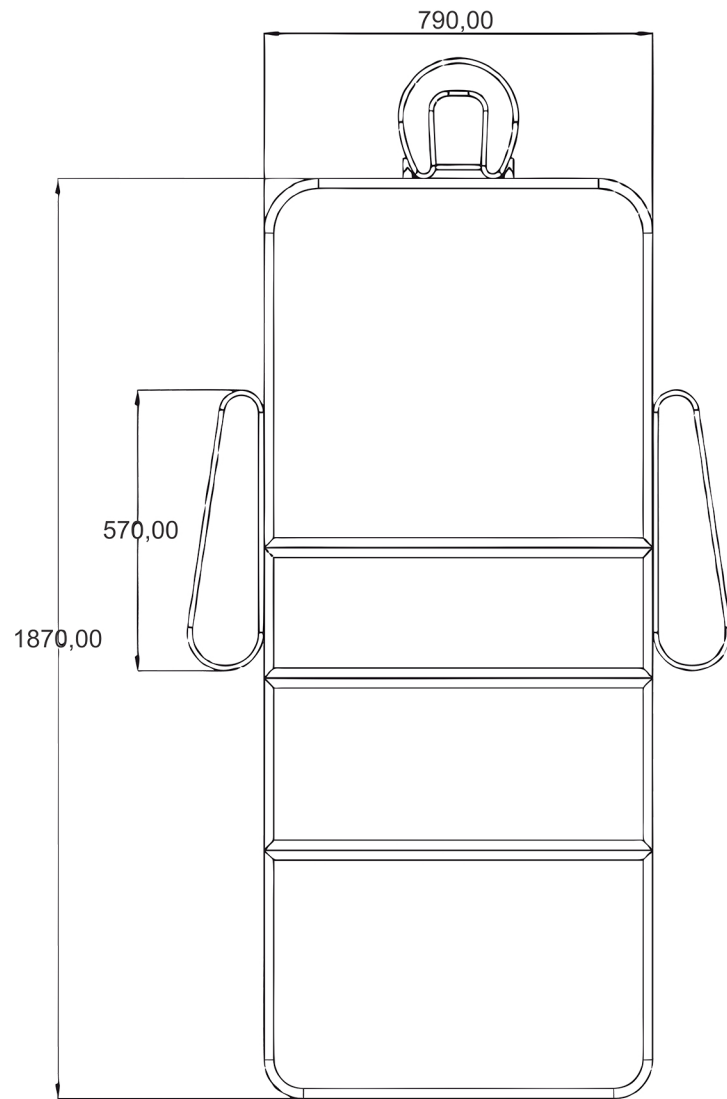
Net Weight	151 Kgs
Shipping Weight	225 Kgs
Shipping Dimension	L 200 x W 88 x H 86 cm

OPTIONAL

External electric heating blanket

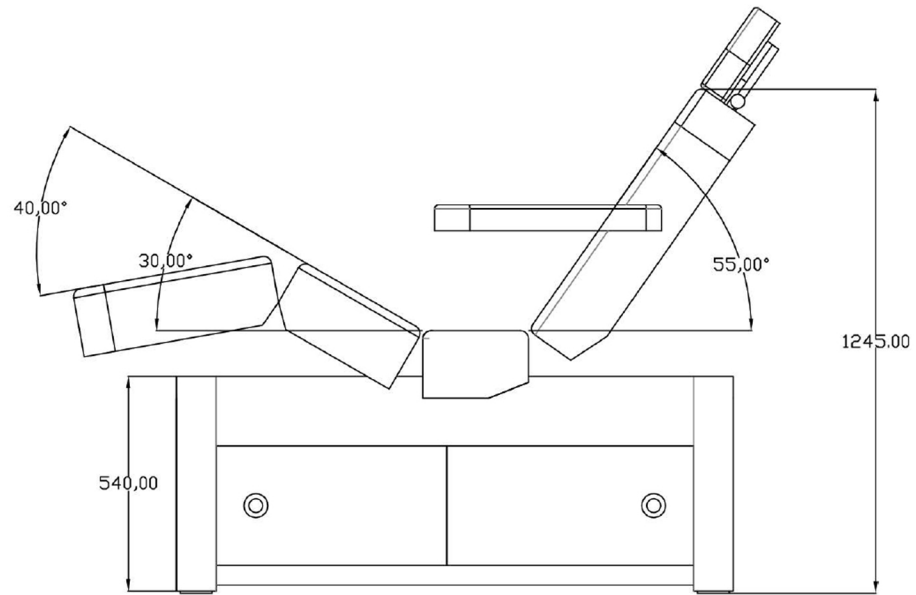
DIMENSIONS

TOP VIEW

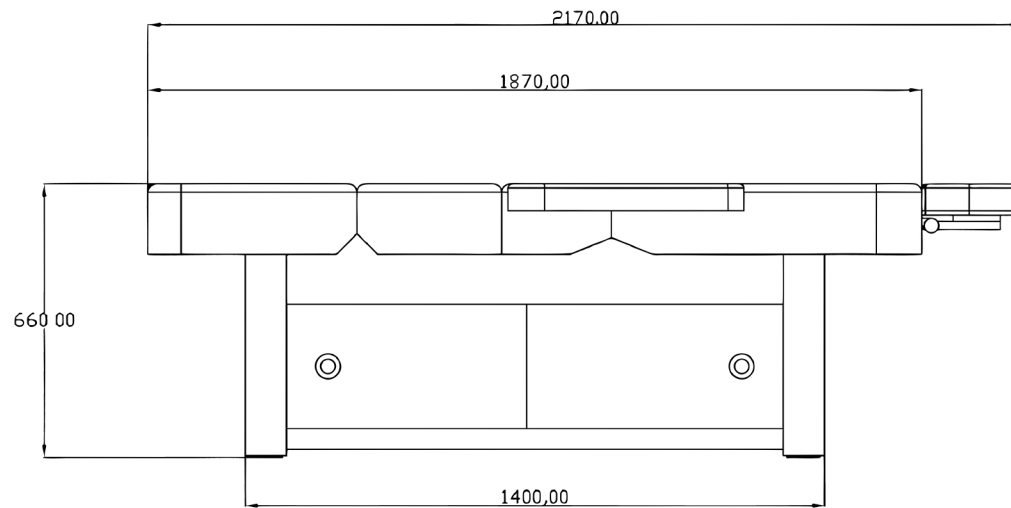


All dimensions are in mm

MAXIMUM HEIGHT



MINIMUM HEIGHT



All dimensions are in mm