

# MANDAKINI

Mandakini Indoor Chaise Lounger, meticulously crafted from solid wood. This ergonomically designed wave lounge offers unparalleled comfort, featuring a plush upholstered mattress that transforms any relaxation area into a sanctuary of tranquility.



## DESIGN

Wave shape lounger

## FOAM CUSHION

65 mm mixed layers of different densities for comfortable massage experience

## FRAME STRUCTURE

Soild wood construction with tenon & mortise joinery

## AREA OF USE

Indoor use only

## LIFTING CAPACITY

250 Kgs

## UPHOLSTERY

Type	<b>Phthalate-Free</b> Upholstery	<b>Veridura</b> : Ultra Soft Upholstery
Thickness	1.01 mm	1 mm
Tensile Strength	ISO 1421, 804 N / 5cm	ISO 1421, 869.22 N / 5cm
Features	Fire Retardant, Acetone & Disinfectant Resistant	Anti-Bacterial, Stain resistant, 20 years hydrolysis resistant
Weight	732 g / sqmt	726.7 g / sqmt
Abrasion	ISO 5470-2 = 2,00,000 cycles / min	ISO 5470-2 = 2,00,000 cycles / min

## WOOD FINISH

Dark Walnut, Yellow Teak, Wenge, Natural

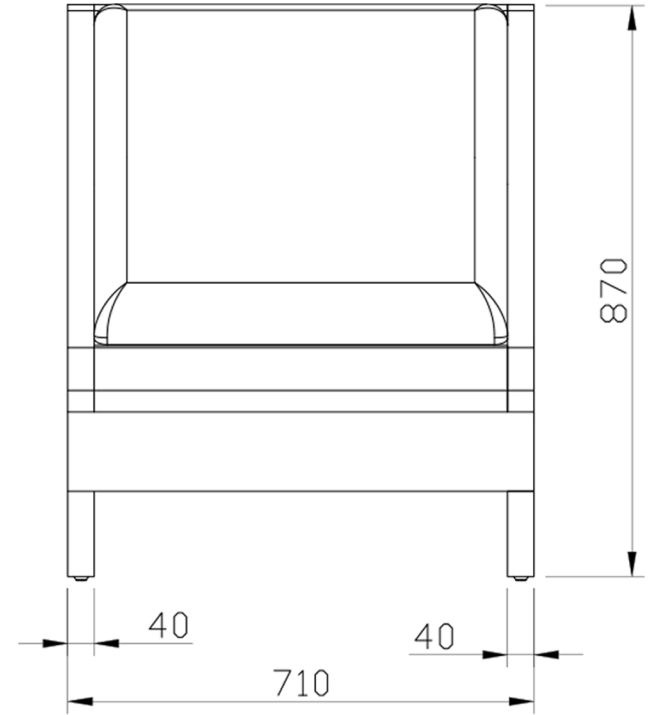
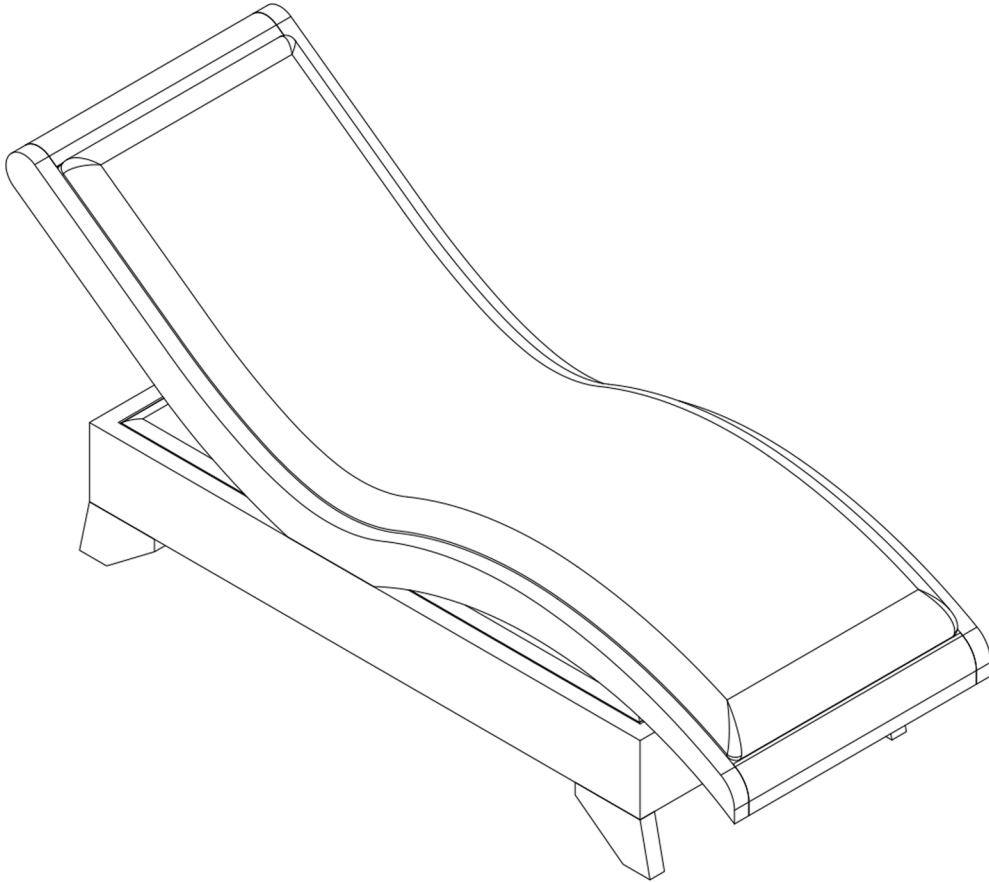
## WARRANTY

Structure 5 years  
Upholstery 1 year

## WEIGHTS

Table Weight 82 Kgs  
Shipping Weight 125 Kgs  
Shipping Dimension L 202 x W 75 x H 111 cm

## DIMENSIONS



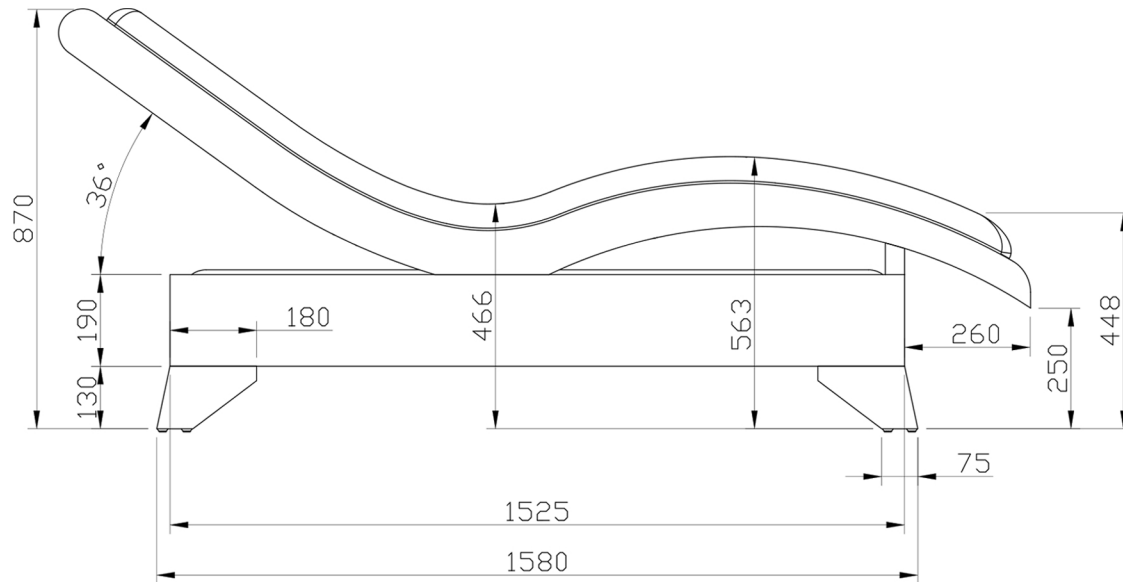
All dimensions are in mm

# DIMENSIONS

## TOP VIEW



## FRONT VIEW



All dimensions are in mm