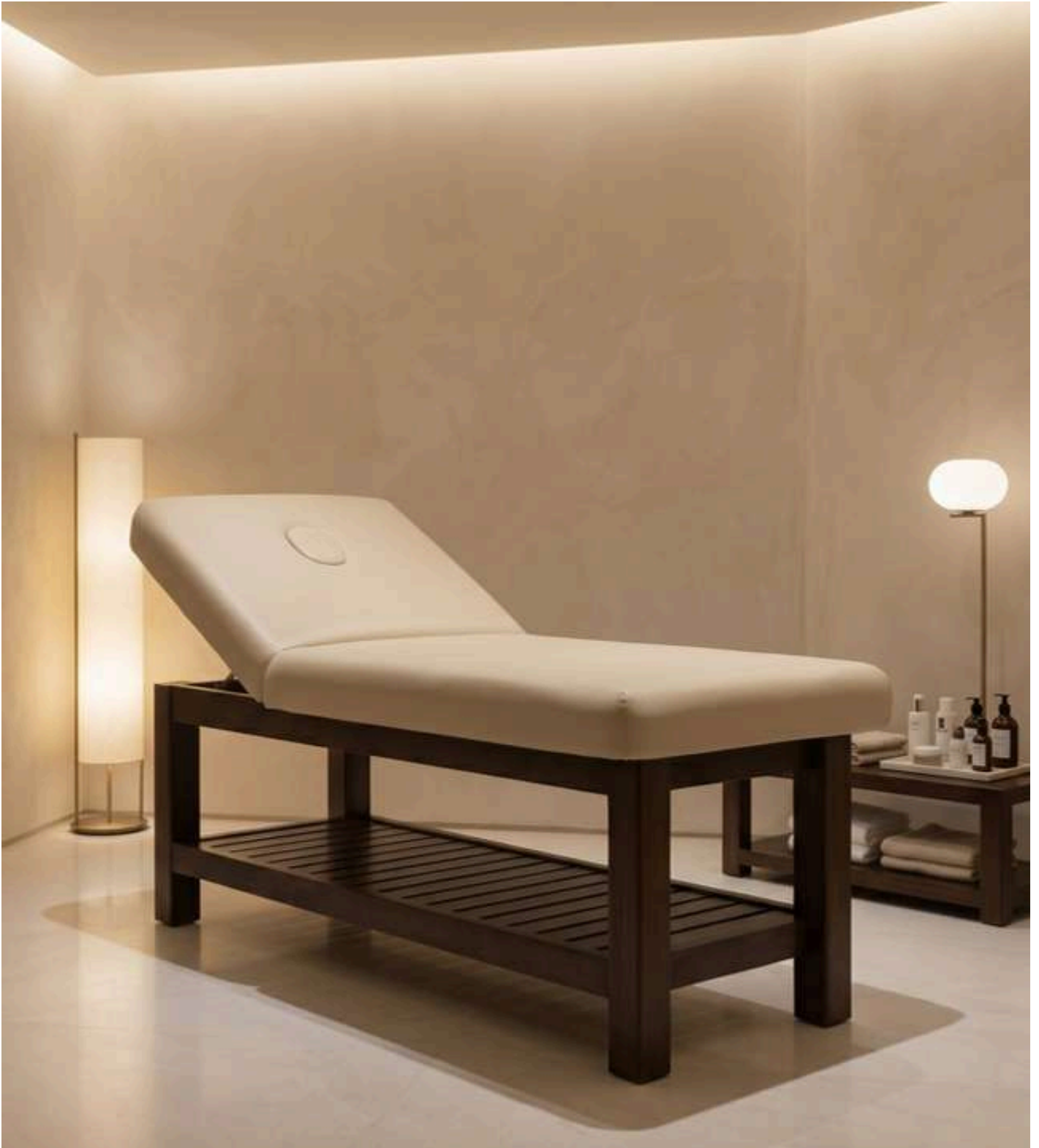


The Mangal Massage Bed is a professional facial and massage table designed for salons and day spas. Built from solid wood, it offers durability with a clean, practical design. It features a 40 density, 75 mm foam cushion with easy-to-clean PVC upholstery for enhanced comfort and hygiene. The adjustable backrest supports facial treatments with a corrosion-resistant mechanism, while the lower wooden struts provide storage for essentials. A face hole with plug ensures added convenience for face-down therapies.



## KEY FEATURES



### Durable Solid Wood Construction

Built with a sturdy solid wood frame and reinforced with mortise and tenon joinery, the Mangal Massage Bed ensures excellent strength, stability, and long-lasting performance for daily salon and spa use.

### Comfort-Focused Design for Multiple Treatments

Equipped with 40-density, 75 mm thick foam and soft PVC leatherette upholstery, it offers superior comfort and easy maintenance. The adjustable backrest and integrated face hole with plug make it ideal for facials, massages, and waxing treatments.

### Practical Storage & Functional Design

Designed with wooden struts underneath, the bed provides ample space to store spa essentials and accessories, supporting efficient workflow while maintaining a clean and organized treatment area.

### Phthalate-Free Upholstery

Available in Phthalate-Free upholstery across its spa furniture range, offering a safer and more eco-conscious alternative with lasting comfort and durability. The upholstery combines refined aesthetics with professional-grade performance.

## FEATURES

Backrest	Manually Adjustable
Height	Fixed Height
Foam Cushion	75 mm multi layer of 40 density foam for comfortable massage experience
Structural Strength	Mortise & Tenon joinery construction

## TECHNICAL SPECIFICATIONS

Length	1930 mm / 75.9 in
Width	735 mm / 28.9 in
Height	740 mm / 29.1 in
Tilt	150°

## BASE & FRAME

Base	Solid Wood
Safe Working Load	250 kgs
Load Bearing capacity	180 kgs

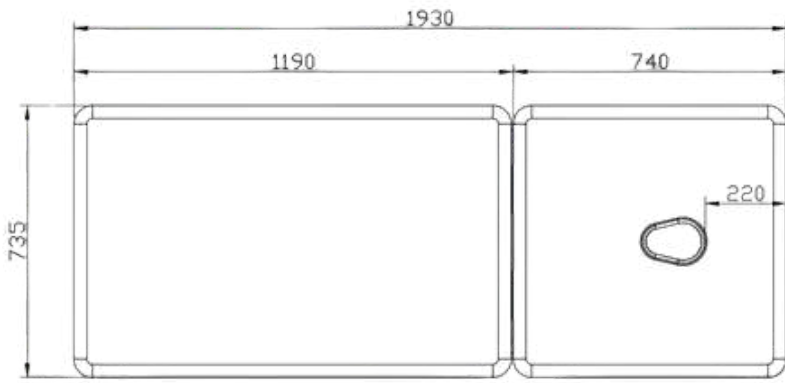
## UPHOLSTERY

Type	Phthalate-Free Upholstery
Thickness	1.01 mm
Tensile Strength	ISO 1421, 804 N/ 5 cm
Colour Options	Cream, Beige, Mouse Grey, Brown
Weight	732 g / sqmt
Abrasion	ISO 5470-2 = 2,00,000 cycles / min

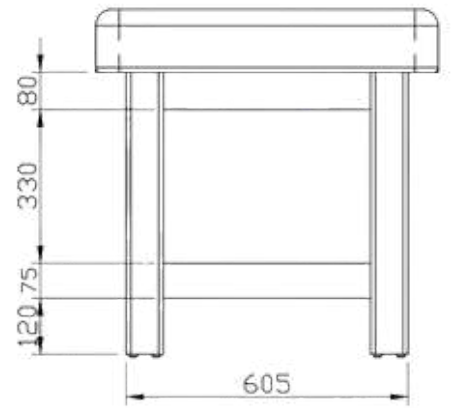
## WARRANTY

1 year againts any manufacturing defects

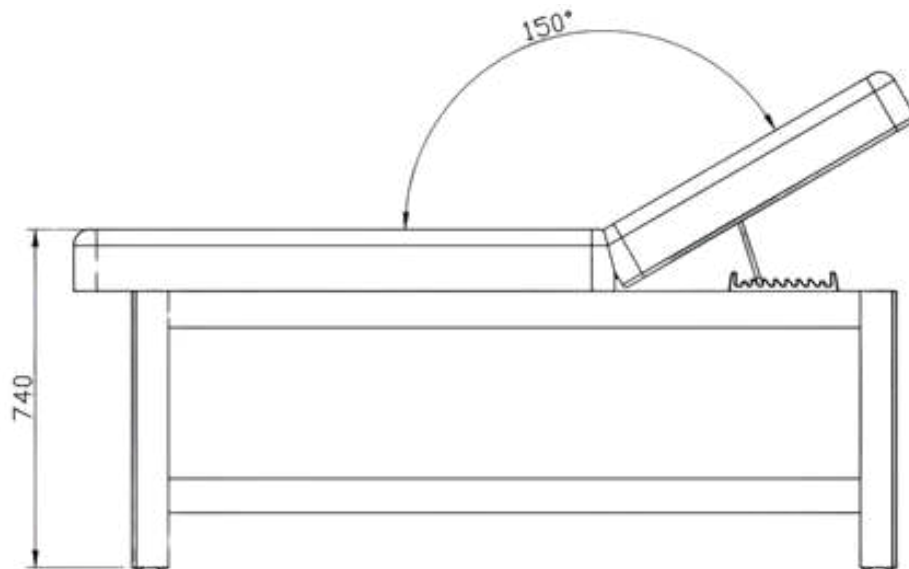
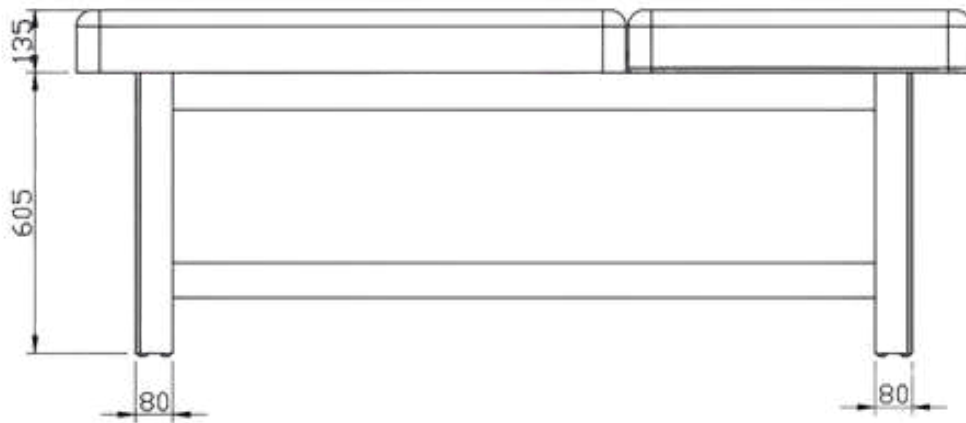
# TECHNICAL DRAWINGS



TOP VIEW



FRONT VIEW



SIDE VIEW

ALL DIMENSIONS ARE IN MM

## WOOD FINISH OPTIONS



Natural Spruce



Yellow Teak



Dark Walnut



Wenge

## PHTHALATE-FREE UPHOLSTERY



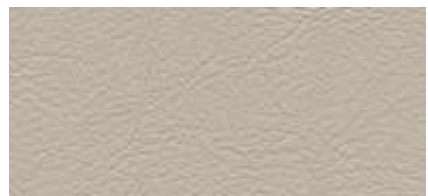
Cream



Beige



Brown



Mouse Grey