

MANGAL

The Mangal Massage Bed is a professional facial and massage bed designed for salons and day spas. Crafted from solid wood, it combines durability with an attractive aesthetic ideal for any spa or salon setting.



DESIGN

Two Section top Mattress

FOAM CUSHION

120 mm mixed layers of different densities for comfortable massage experience

FRAME STRUCTURE

Solid wood construction with Tenon & Mortise Joinery
Reclining Mechanism is Nylon and SS 304 (corrosion resistant material)

ADJUSTMENTS

Height Fixed Height
Backrest Manual Backrest Adjustment

STORAGE

Open storage space underneath to store spa essentials

LIFTING CAPACITY

250 Kgs

UPHOLSTERY

Type	Phthalate-Free Upholstery	Veridura : Ultra Soft Upholstery
Thickness	1.01 mm	1 mm
Tensile Strength	ISO 1421, 804 N / 5cm	ISO 1421, 869.22 N / 5cm
Features	Fire Retardant, Acetone & Disinfectant Resistant	Anti-Bacterial, Stain resistant, 20 years hydrolysis resistant
Weight	732 g / sqmt	726.7 g / sqmt
Abrasion	ISO 5470-2 = 2,00,000 cycles / min	ISO 5470-2 = 2,00,000 cycles / min

WOOD FINISH

Dark Walnut, Wenge, Natural

WARRANTY

Structure 5 years
Upholstery 1 years

WEIGHTS

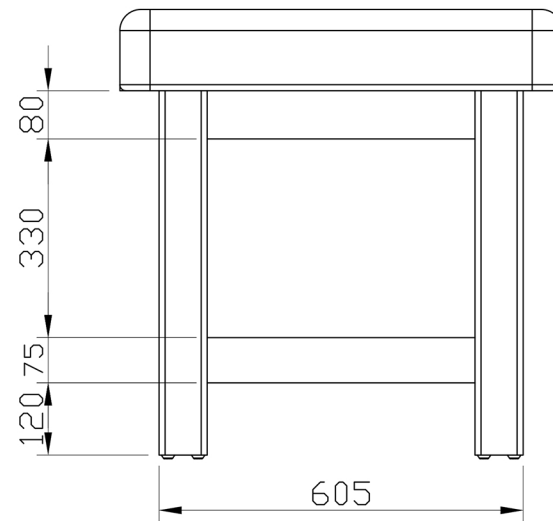
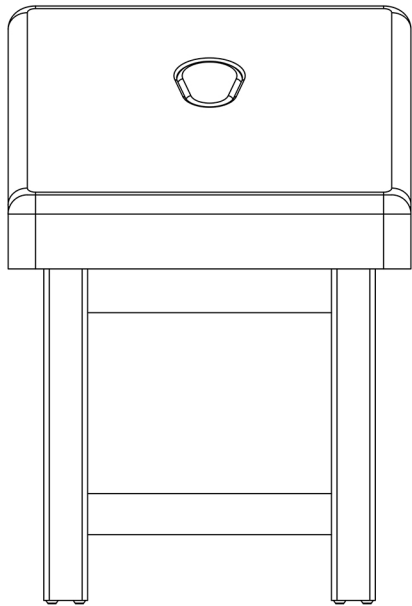
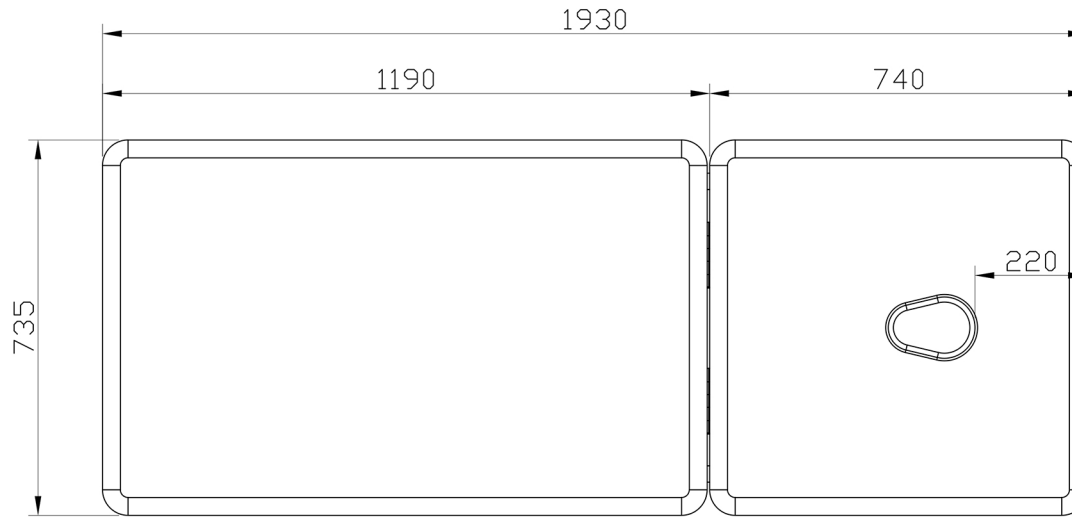
Net Weight 60 Kgs
Shipping Weight 115 Kgs
Shipping Dimension L 202 x W 91 x H 82 cm

OPTIONAL

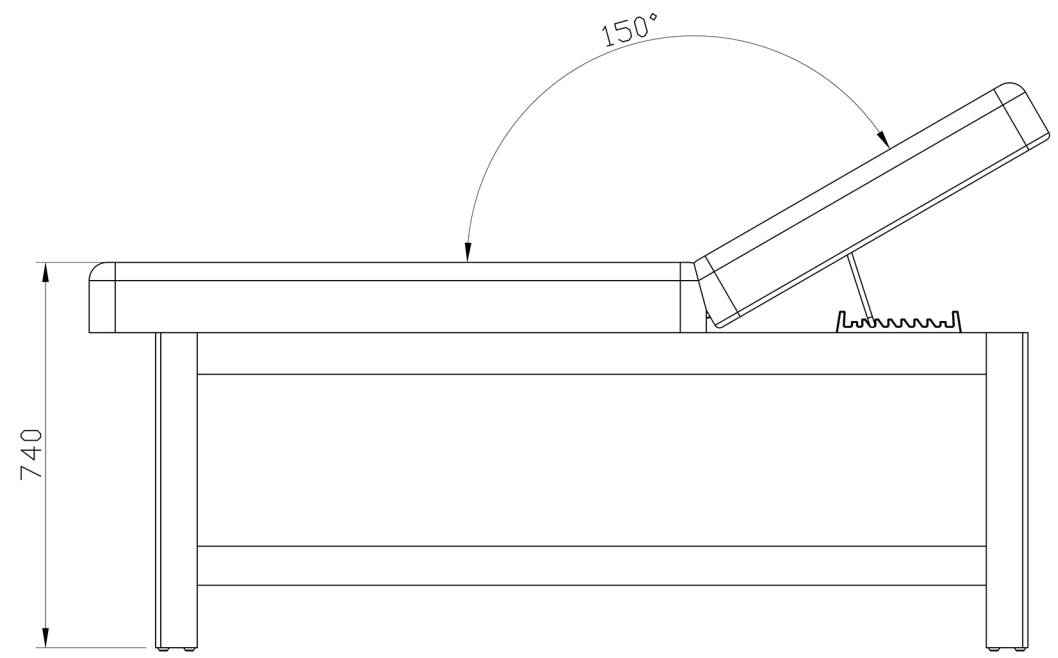
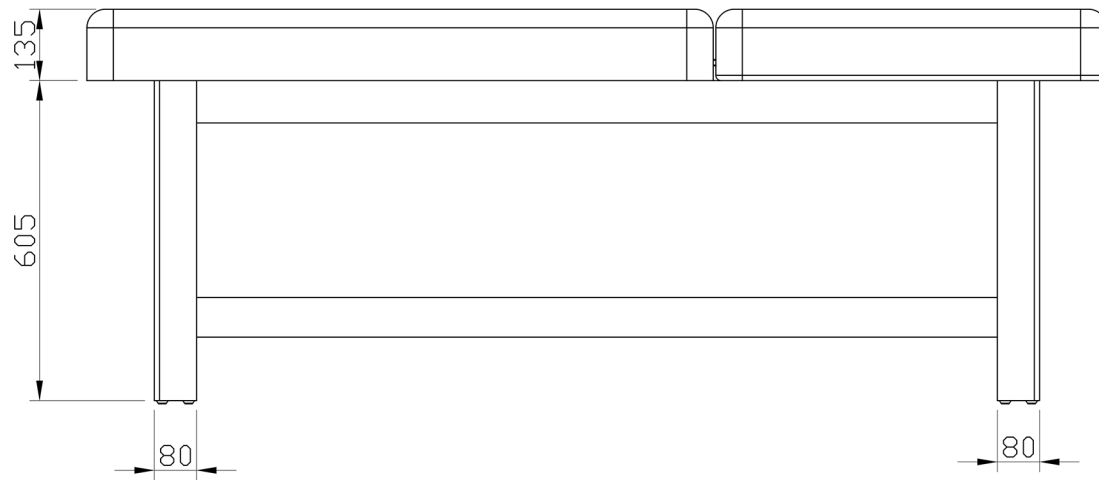
Manual height adjustment can be added at extra costs

DIMENSIONS

TOP VIEW



All dimensions are in mm



All dimensions are in mm