

MAYA

Maya Massage Bed is a splendid addition to any professional spa. Crafted with the time-tested mortise and tenon technique, it guarantees stability and durability during daily use in a bustling spa or wellness centre.



DESIGN

Two Section top Mattress

FOAM CUSHION

117 mm mixed layers of different densities for comfortable massage experience

FRAME STRUCTURE

Solid Wood construction with Tenon & Mortise Joinery
Reclining Mechanism in Nylon and SS304 (corrosion resistant material)

ADJUSTMENTS

Height Fixed Height
Back Rest Manually Adjustable

LIFTING CAPACITY

250 Kgs

UPHOLSTERY

Type	Phthalate-Free Upholstery	Veridura : Ultra Soft Upholstery
Thickness	1.01 mm	1 mm
Tensile Strength	ISO 1421, 804 N / 5cm	ISO 1421, 869.22 N / 5cm
Features	Fire Retardant, Acetone & Disinfectant Resistant	Anti-Bacterial, Stain resistant, 20 years hydrolysis resistant
Weight	732 g / sqmt	726.7 g / sqmt
Abrasion	ISO 5470-2 = 2,00,000 cycles / min	ISO 5470-2 = 2,00,000 cycles / min

WOOD FINISH

Dark Walnut, Wenge, Natural

WARRANTY

1 year against any manufacturing defects

DIMENSIONS

Bed L 199.5 x W 84 x H 74.5 cm
Storage Space L 80 x D 52 x H 31 cm

WEIGHTS

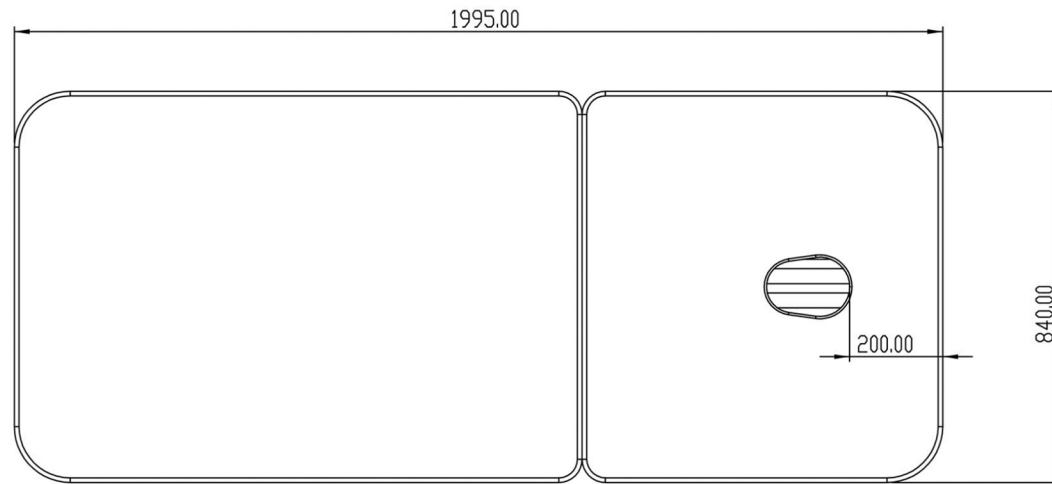
Net Weight 90 Kgs
Shipping Weight 118 Kgs
Shipping Dimension L 210 x W 90 x H 90 cm

OPTIONAL

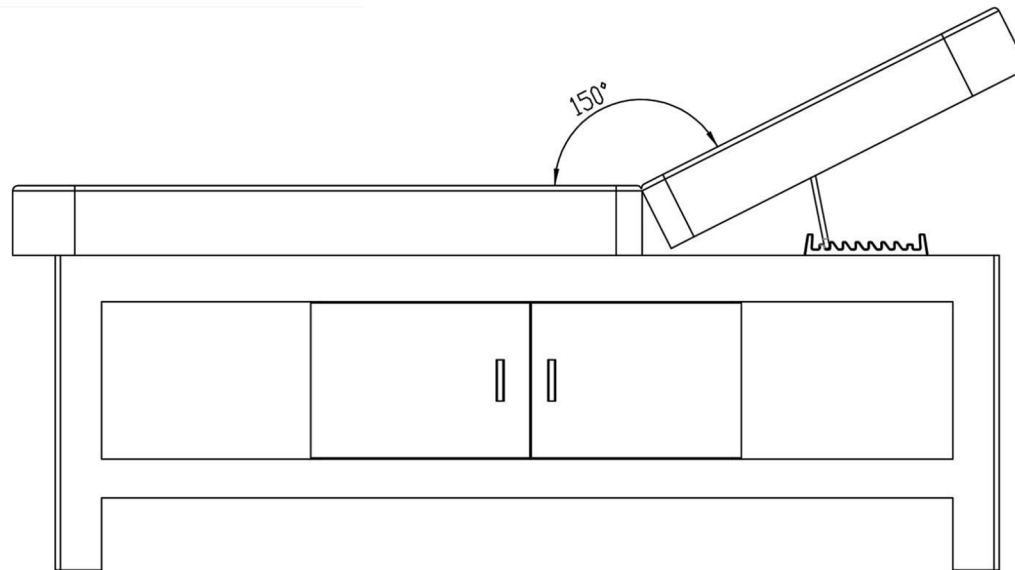
Height adjustment feature can be added on request

DIMENSIONS

TOP VIEW

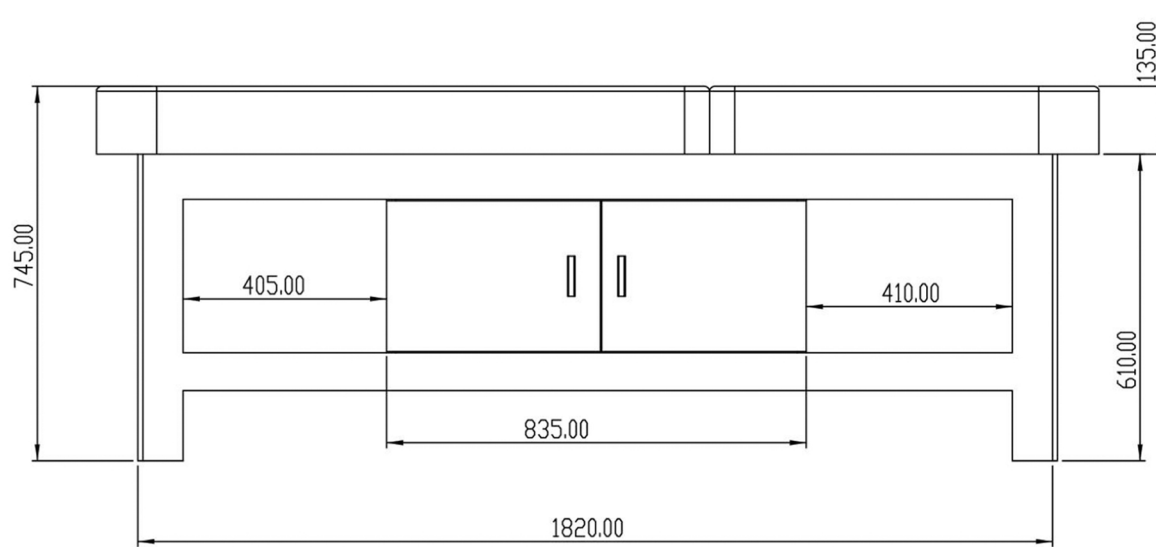
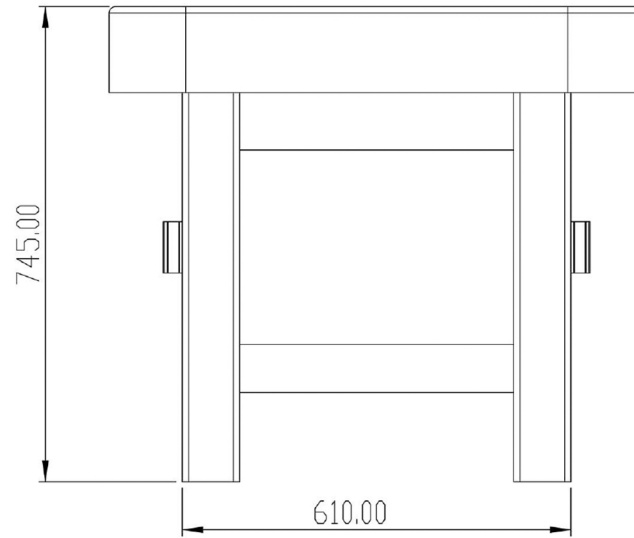


SIDE VIEW



All dimensions are in mm

DIMENSIONS



All dimensions are in mm