

MULTIPURPOSE AYURVEDA TABLE

Multipurpose Ayurveda Table is meticulously crafted for practitioners seeking an authentic Ayurveda experience. This purpose-designed traditional Ayurvedic Massage Table is ideal for performing Ayurvedic Oil Massage and Shirodhara treatments. Guided by the expertise of skilled Indian Craftmen, this table not only offers enhanced functionality but also elevates the aesthetic of your Ayurvedic set-up with its rich traditional design



DESIGN

Flat Top Design

FOAM CUSHION

12 mm and 50 mm Upholstered Mattresses

FRAME STRUCTURE

Solid wood and Engineer wood construction

DESIGN ELEMENTS

Brass ornamentation on the handles and hand carving on the wooden legs and side frame

ACCESSORIES

1 x Wooden Headrest for shirodhara treatment
1 x Cushioned Headrest for normal dry massages
1 x Thin mattress used for abhyanga oil massage
1 x Thick cushion for normal dry massages

LIFTING CAPACITY

250 Kgs

UPHOLSTERY

Type	Phthalate-Free Upholstery	Veridura : Ultra Soft Upholstery
Thickness	1.01 mm	1 mm
Tensile Strength	ISO 1421, 804 N / 5cm	ISO 1421, 869.22 N / 5cm
Features	Fire Retardant, Acetone & Disinfectant Resistant	Anti-Bacterial, Stain resistant, 20 years hydrolysis resistant
Weight	732 g / sqmt	726.7 g / sqmt
Abrasion	ISO 5470-2 = 2,00,000 cycles / min	ISO 5470-2 = 2,00,000 cycles / min

WOOD FINISH

Dark Walnut, Yellow Teak and Wenge

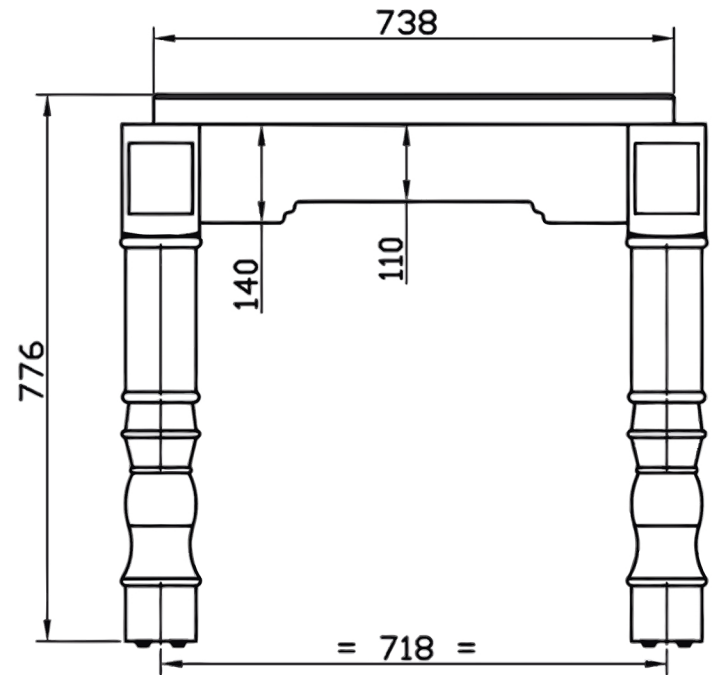
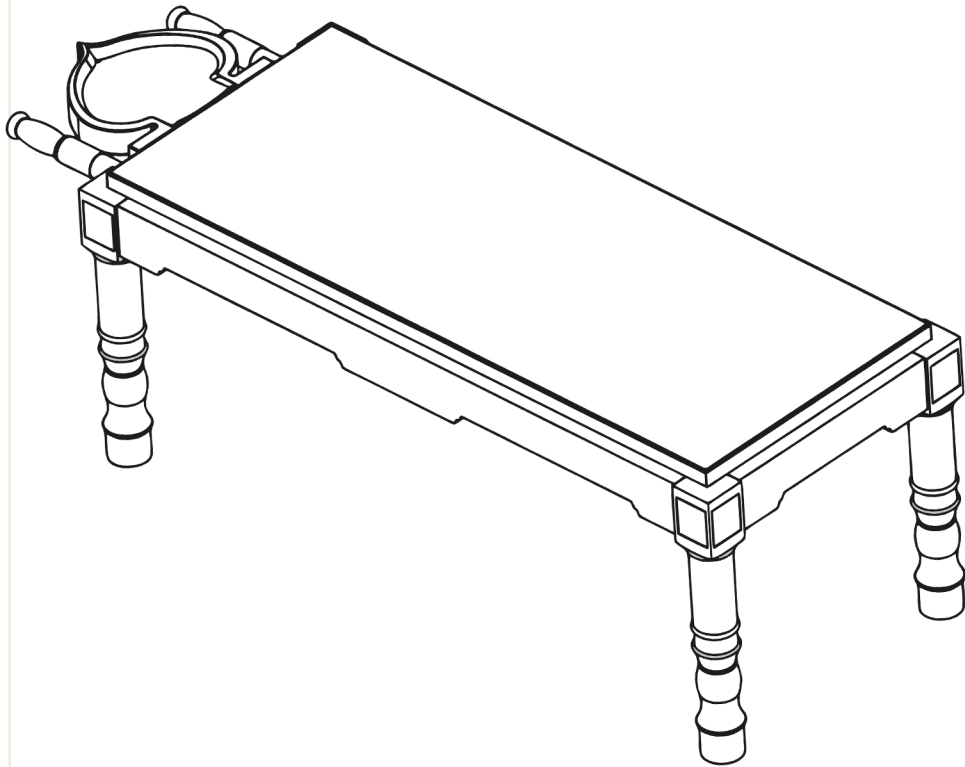
WARRANTY

1 year against any manufacturing defects

WEIGHTS

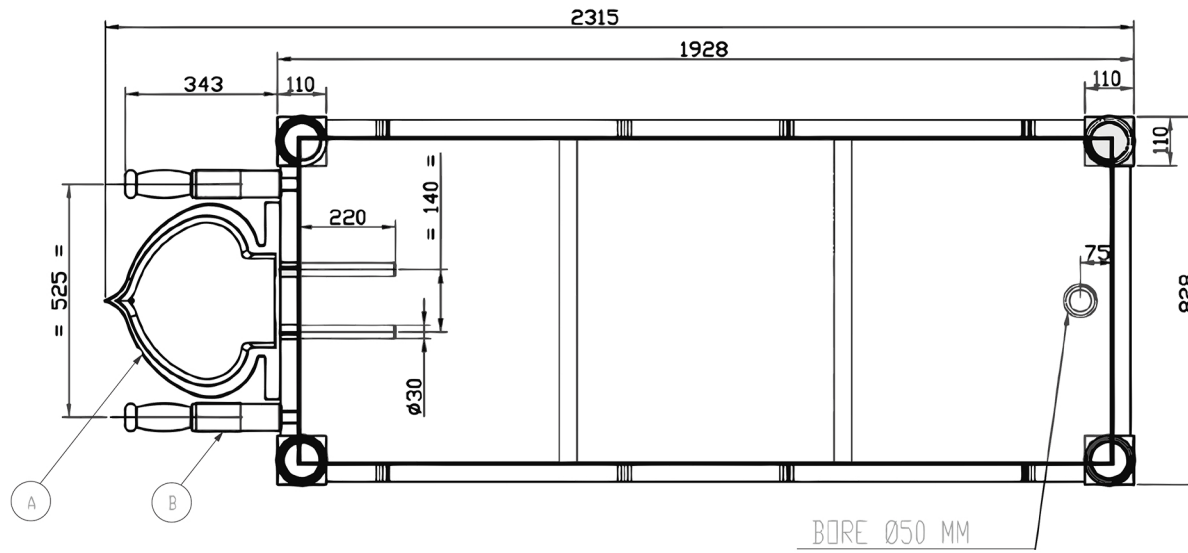
Net Weight 65 Kgs
Shipping Weight 93 Kgs
Shipping Dimension L 206 x W 88 x H 44 cm
(Shipped in knocked down condition for easy shipping)

DIMENSIONS

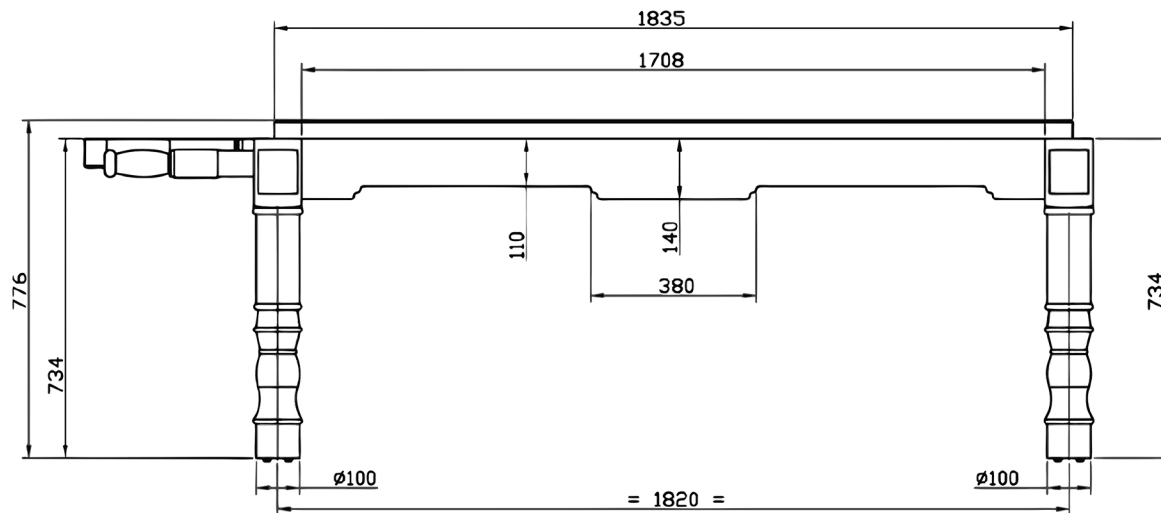


All dimensions are in mm

TOP VIEW



SIDE VIEW



All dimensions are in mm