

The Mandakini is Esthetica's indoor chaise longue — meticulously crafted from solid wood using traditional tenon and mortise joinery, and designed for the relaxation areas of premium spas and wellness facilities. Its ergonomic wave-shaped surface follows the natural contours of the body, cradling guests in a position of effortless comfort from the moment they settle in. Clean in form, warm in material, and built to last — the Mandakini is as refined in its construction as it is in its presence.



KEY FEATURES



Ergonomic Wave-Shape Design

The Mandakini's wave-shaped lounger surface is ergonomically crafted to follow the natural contours of the body — distributing weight evenly and placing guests in a position of complete, supported rest without any adjustment needed

Solid Wood Construction with Tenon & Mortise Joinery

Built entirely from solid wood using traditional tenon and mortise joinery, the Mandakini is engineered for long-term structural stability and durability — delivering the integrity expected in a professional spa environment while retaining the warmth and character of natural wood.

4 Wood Finish Options

Available in Dark Walnut, Yellow Teak, Natural Spruce, and Wenge — the Mandakini adapts naturally to any spa interior, making it as versatile in its aesthetic as it is consistent in its comfort.

Phthalate-Free Upholstery

The Mandakini is upholstered in phthalate-free fabric designed for professional spa environments — safe, durable, and built for the demands of daily commercial use, with antibacterial, fire retardant, and stain resistant properties as standard.

FEATURES

Design	Ergonomic Wave-Shape Surface
Foam Cushion	65 mm mixed layers of different densities for comfortable massage experience
Structural Strength	Mortise & Tenon joinery construction

AREA OF USE

Indoor Use

TECHNICAL SPECIFICATIONS

Length	1905 mm / 75 in
Width	740 mm / 29.1 in
Height	764 mm / 30 in

BASE & FRAME

Base	Solid Wood
Load Bearing capacity	250 kgs

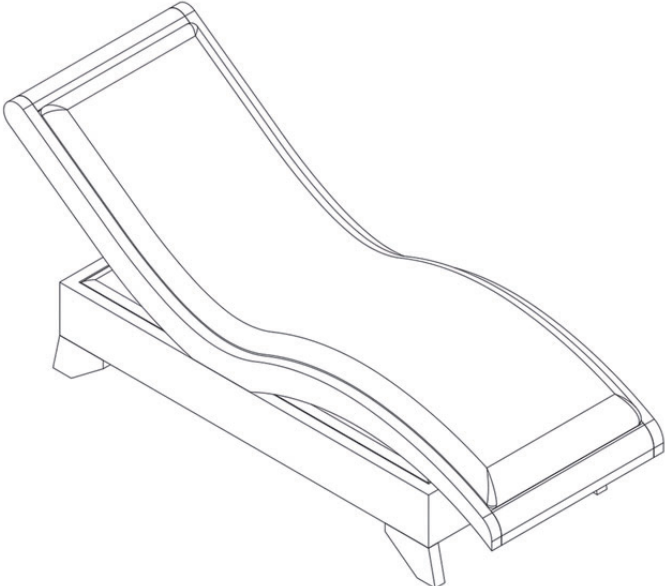
UPHOLSTERY

Type	Phthalate-Free Upholstery
Thickness	1.01 mm
Tensile Strength	ISO 1421, 804 N/ 5 cm
Colour Options	Cream, Beige, Mouse Grey, Brown
Weight	732 g / sqmt
Abrasion	ISO 5470-2 = 2,00,000 cycles / min

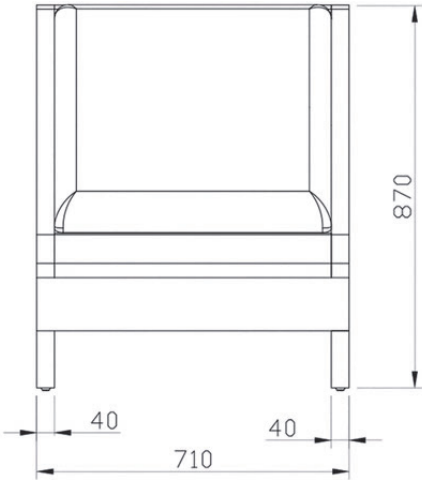
WARRANTY

1 year againts any manufacturing defects

TECHNICAL DRAWINGS



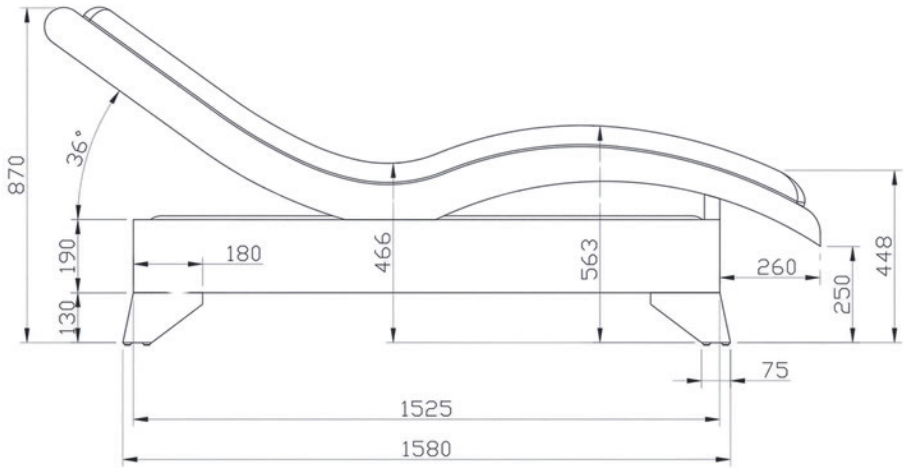
ISOMETRIC VIEW



FRONT VIEW



TOP VIEW



SIDE VIEW

ALL DIMENSIONS ARE IN MM

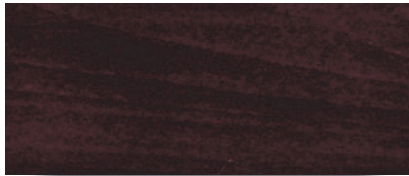
WOOD FINISH OPTIONS



Natural Spruce



Yellow Teak

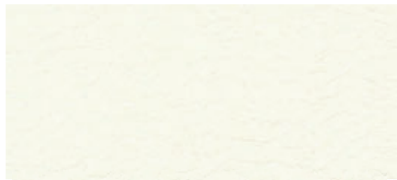


Dark Walnut

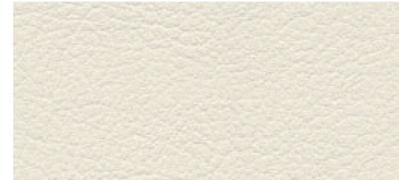


Wenge

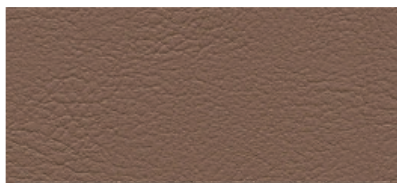
PHTHALATE-FREE UPHOLSTERY



Cream



Beige



Brown



Mouse Grey