

# NAKUL

Nakul Foot Reflexology Sofa offers a plush, extremely comfortable seating experience during pedicure and foot massage treatments. The backrest on this sofa can be electronically controlled and can be inclined and reclined as per guest comfort.



## DESIGN

Electronic Foot Reflexology Sofa with 2 Ottoman

## FOAM CUSHION

32 Density soft foam with siliconised polyfill fiber

## FRAME STRUCTURE

Powder Coated Mild Steel Frame and Plywood Structure

## FEATURES

Electronic controlled backrest  
Siliconised polyfill and foam cushioning for maximum guest comfort  
Handheld remote to recline or incline the backrest position

## ADJUSTMENTS

Backrest Electronically adjusted through 1 x 6000 N Actuator

## LIFTING CAPACITY

150 Kgs

## UPHOLSTERY

Type	Phthalate-Free Upholstery	Veridura : Ultra Soft Upholstery
Thickness	1.01 mm	1 mm
Tensile Strength	ISO 1421, 804 N / 5cm	ISO 1421, 869.22 N / 5cm
Features	Fire Retardant, Acetone & Disinfectant Resistant	Anti-Bacterial, Stain resistant, 20 years hydrolysis resistant
Weight	732 g / sqmt	726.7 g / sqmt
Abrasion	ISO 5470-2 = 2,00,000 cycles / min	ISO 5470-2 = 2,00,000 cycles / min

## WARRANTY

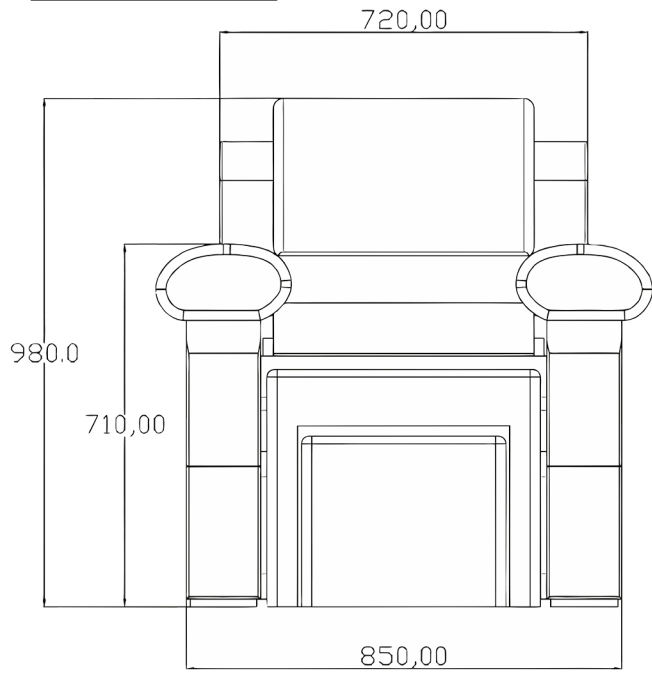
Structure 3 years  
Electronic Motors & Controls 2 years

## WEIGHTS

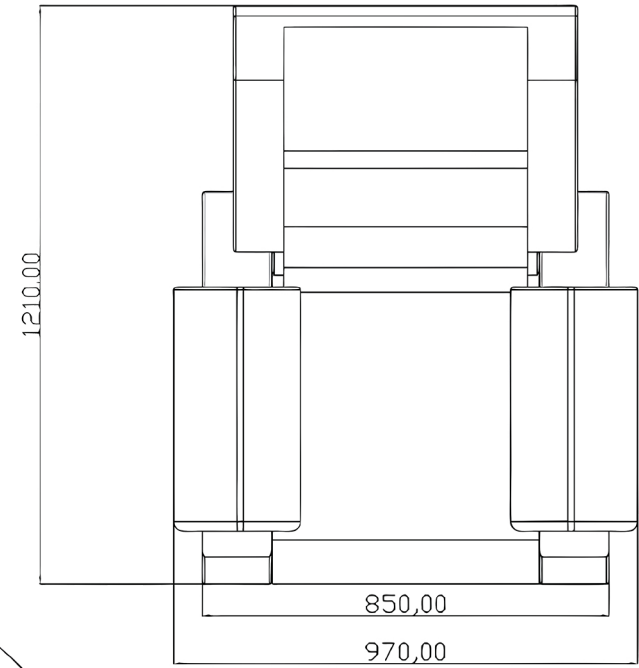
Net Weight 75 Kgs  
Shipping Weight 105 Kgs  
Shipping Dimension L 100 x W 100 x H 115cm

# DIMENSIONS

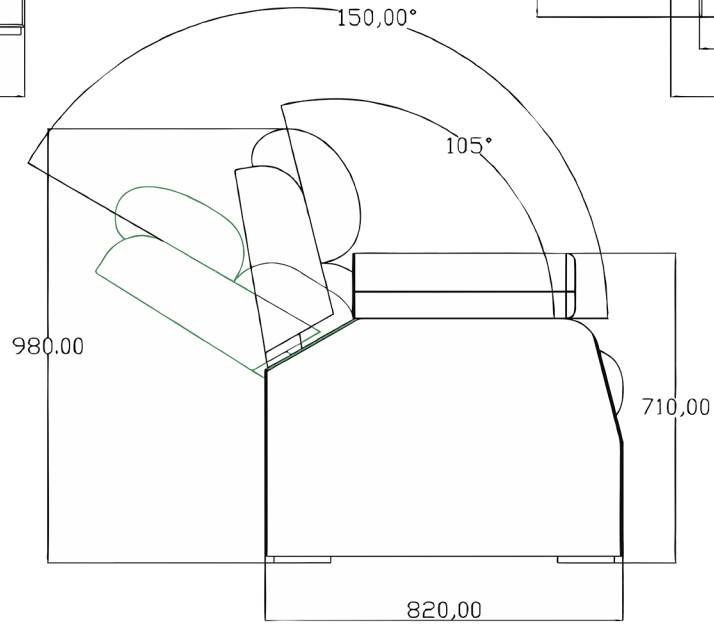
## FRONT VIEW



## TOP VIEW



## SIDE VIEW



All dimensions are in mm