

MANI - PEDI

Mani-Pedi Chair offers you the flexibility of doing spa pedicures and manicure treatments without any plumbing connection. This no-plumbing manicure pedicure chair is best suited for those spas and wellness centres that do not have plumbing connections and yet want to offer pedicure and manicure service to their guests.



DESIGN

No plumbing pedicure chair

FEATURES

Easy to fold and unfold wooden armrest for manicure treatments
Solid surface top, precision cut on a CNC machine
Inclined foot rest for guest's comfort made from corrosion resistant SS 304 grade steel

FOAM CUSHION

Multiple density foam cushion (Combination 70 Density Latex and 32 Density Soft Foam Cushion)

FRAME STRUCTURE

Natural Wood Veneer and Powder Coated Mild Steel Frame

ADJUSTMENTS

Backrest Lockable gas spring assisted adjustment

LOAD CAPACITY

150 Kgs

UPHOLSTERY

| | | |
|------------------|--|--|
| Type | Phthalate-Free Upholstery | Veridura : Ultra Soft Upholstery |
| Thickness | 1.01 mm | 1 mm |
| Tensile Strength | ISO 1421, 804 N / 5cm | ISO 1421, 869.22 N / 5cm |
| Features | Fire Retardant, Acetone & Disinfectant Resistant | Anti-Bacterial, Stain resistant, 20 years hydrolysis resistant |
| Weight | 732 g / sqmt | 726.7 g / sqmt |
| Abrasion | ISO 5470-2 = 2,00,000 cycles / min | ISO 5470-2 = 2,00,000 cycles / min |

WOOD FINISH

Natural American White Oak PU, Natural American White Oak Water Base, Open Pour White Finish (RAL 9010), Open Pour Black, Dark Walnut, Yellow Teak, Wenge

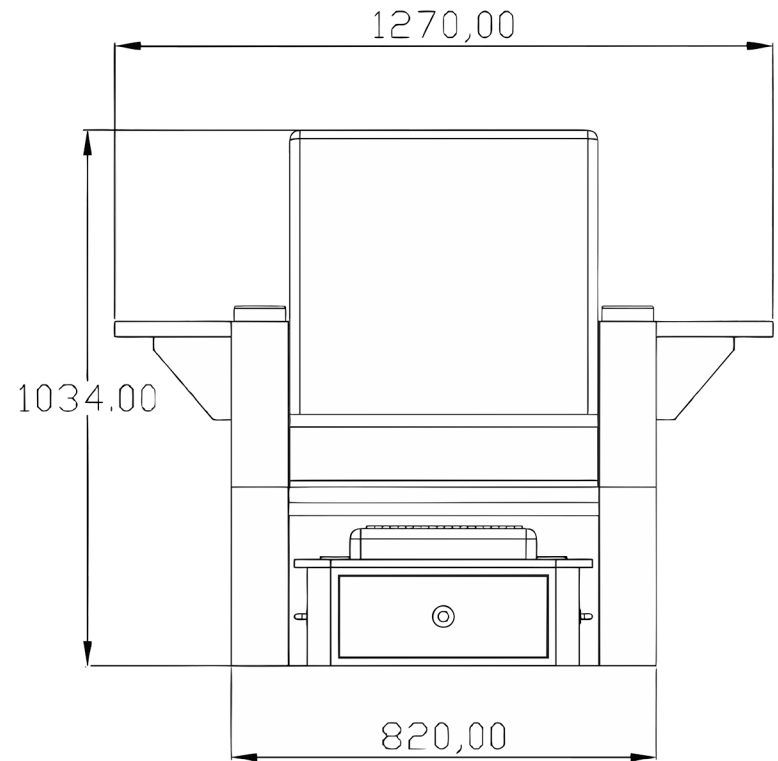
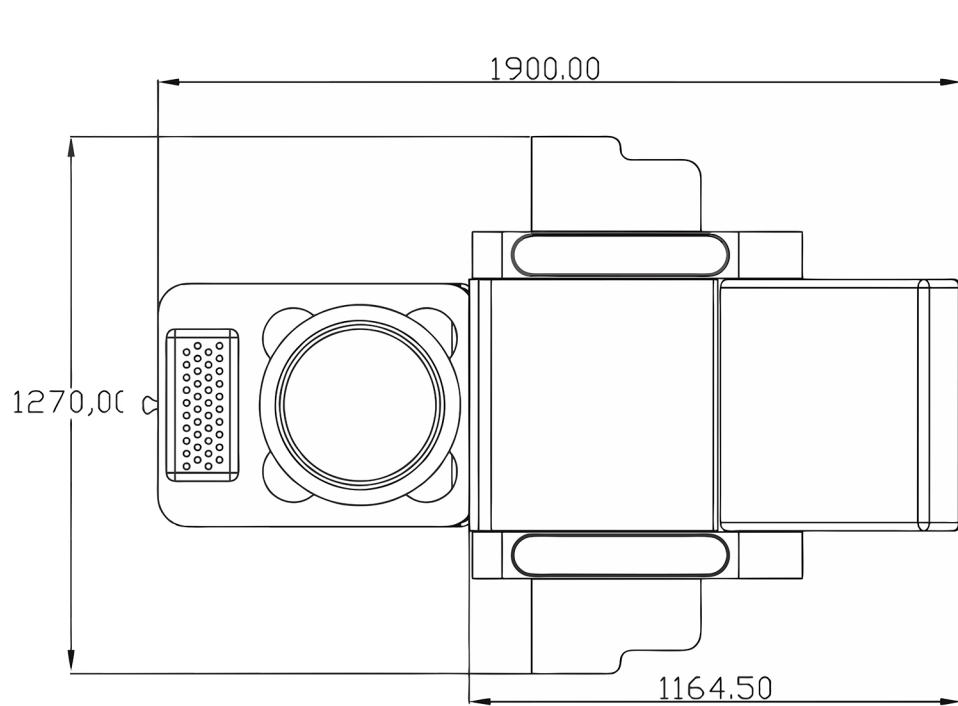
WARRANTY

Structure 3 years

WEIGHTS

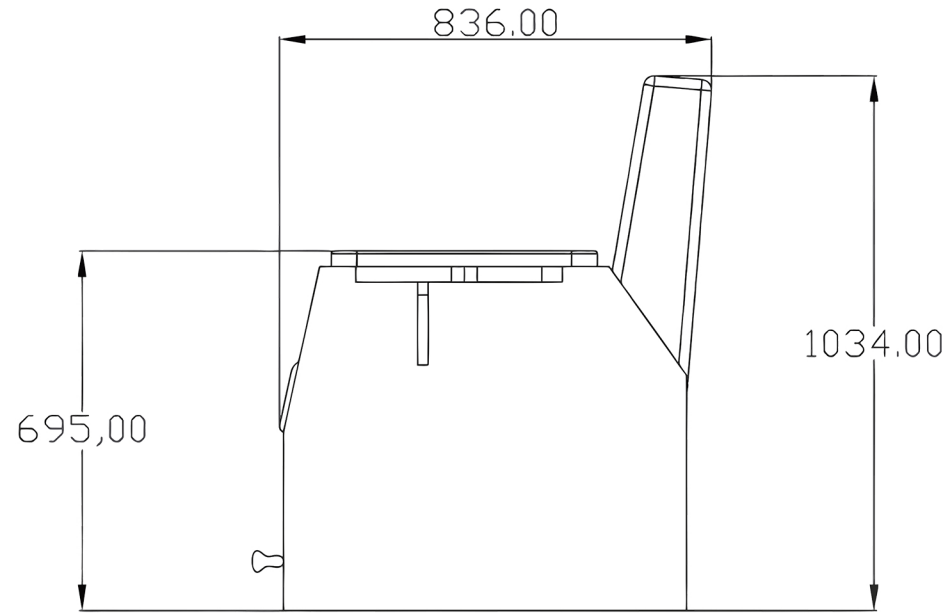
Net Weight 90 Kgs
Shipping Weight 135 Kgs
Shipping Dimension Chair - L 96 x W 87 x H 119 cm and Foot Basin L 87 x W 69 x H 46 cm

DIMENSIONS

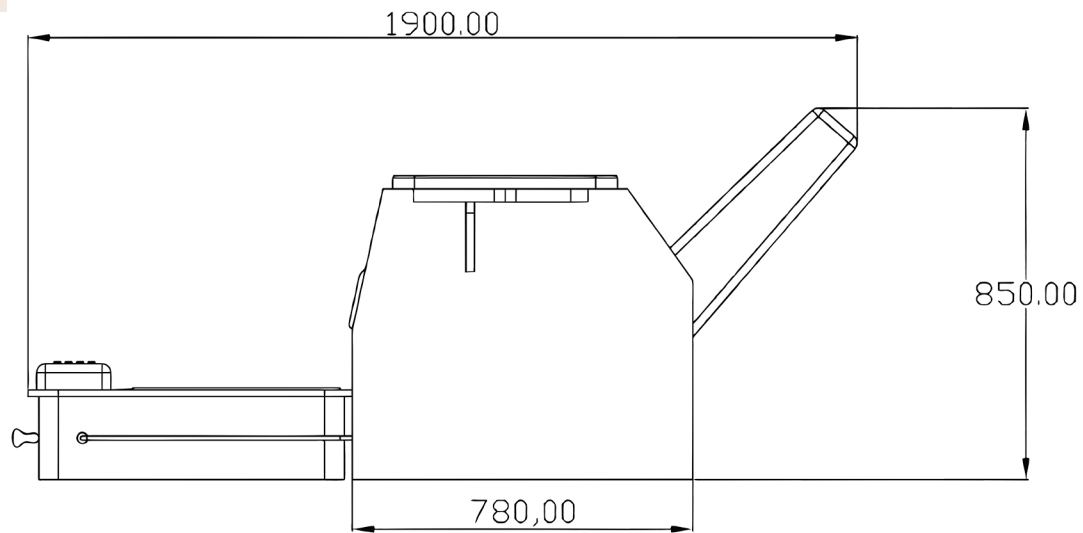


All dimensions are in mm

MAXIMUM HEIGHT



MINIMUM HEIGHT



All dimensions are in mm