

# RAMAN

Raman is our single motor, economically priced spa treatment table. Designed with a single motor to get a synchronised backrest and leg rest adjustment for comfortable spa massage experience. The armrests can be lowered and locked at various position through gas springs fitted in the armrests.



## TOP DESIGN

Single piece fully electronic top cushion and nose slot with removable plug

## FOAM CUSHION

160 mm mixed layers of different densities for comfortable massage experience

## FRAME STRUCTURE

Natural Wood, Natural Wood Veneer and Powder Coated Mild Steel Frame

## ADJUSTMENTS

Backrest & Leg Rest Synchronised electronic adjustment through 1 x 6000N Actuator  
Arm rest Gas spring assisted lowerable armrest for comfortable massage position

## LIFTING CAPACITY

300 kgs

## UPHOLSTERY

Type	<b>Phthalate-Free</b> Upholstery	<b>Veridura</b> : Ultra Soft Upholstery
Thickness	1.01 mm	1 mm
Tensile Strength	ISO 1421, 804 N / 5cm	ISO 1421, 869.22 N / 5cm
Features	Fire Retardant, Acetone & Disinfectant Resistant	Anti-Bacterial, Stain resistant, 20 years hydrolysis resistant
Weight	732 g / sqmt	726.7 g / sqmt
Abrasion	ISO 5470-2 = 2,00,000 cycles / min	ISO 5470-2 = 2,00,000 cycles / min

## WOOD FINISH

Natural American White Oak PU, Natural American White Oak Water Base, Open Pour White Finish ( RAL 9010), Open Pour Black, Dark Walnut, Yellow Teak, Wenge and Natural

## WARRANTY

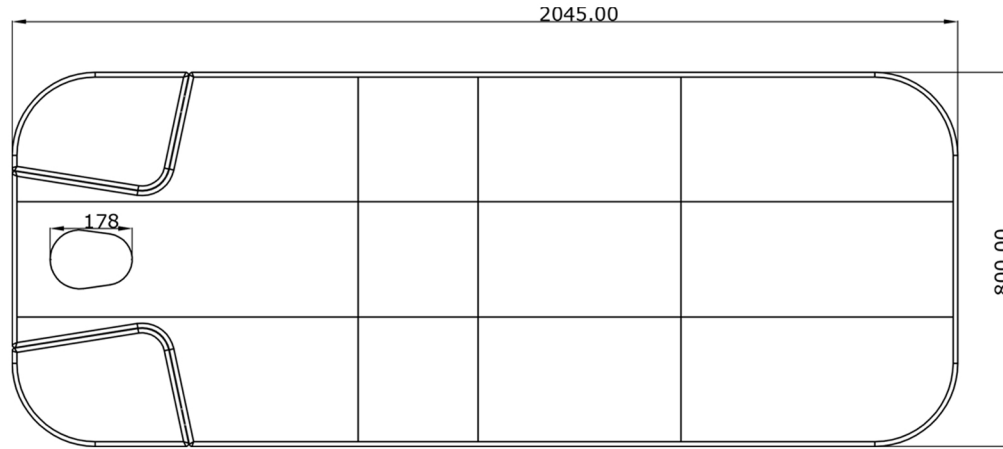
Structure 3 years  
Electronic Motors & Controls 2 years

## WEIGHTS

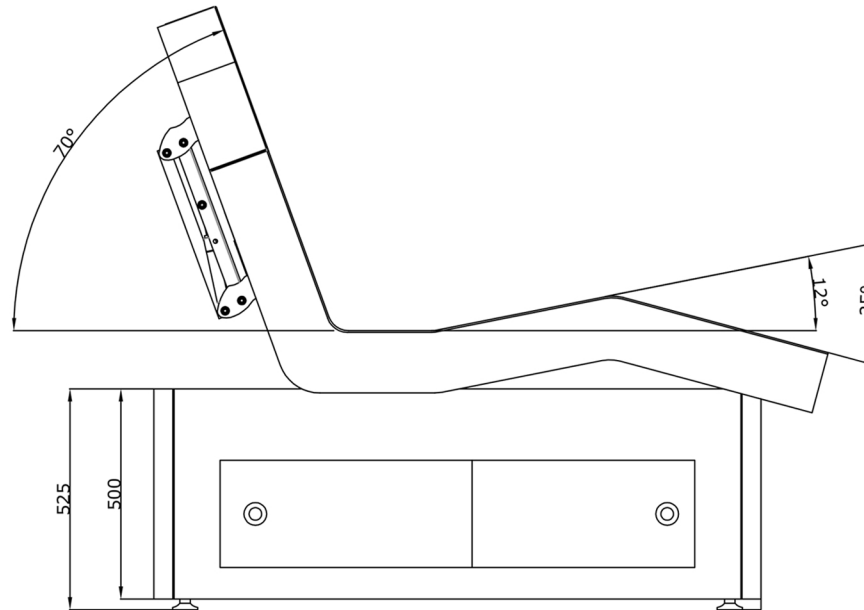
Net Weight 121 Kgs  
Shipping Weight 190 Kgs  
Shipping Dimension L 206 x W 88 x H 84 cm

# DIMENSIONS

## TOP VIEW

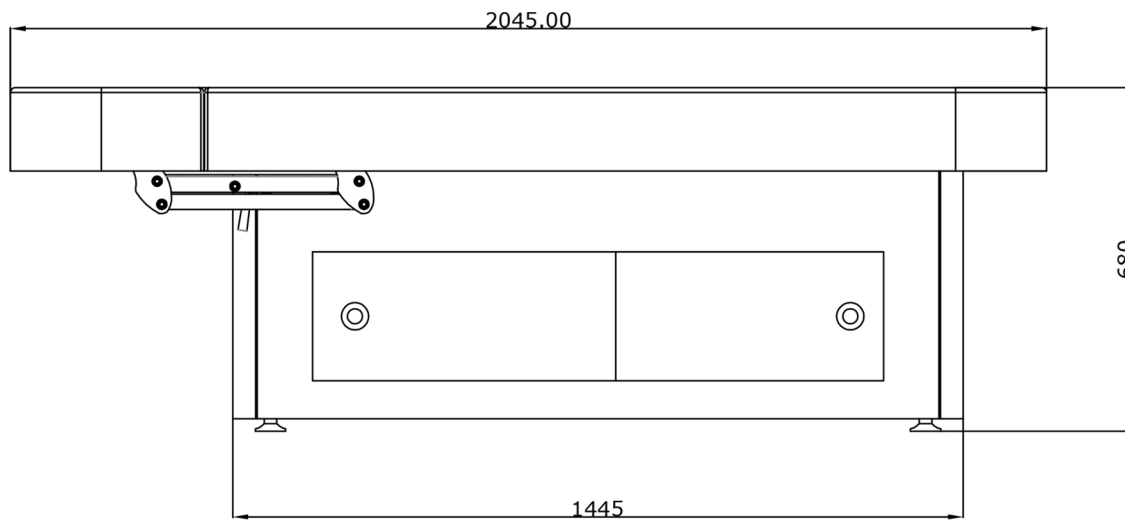
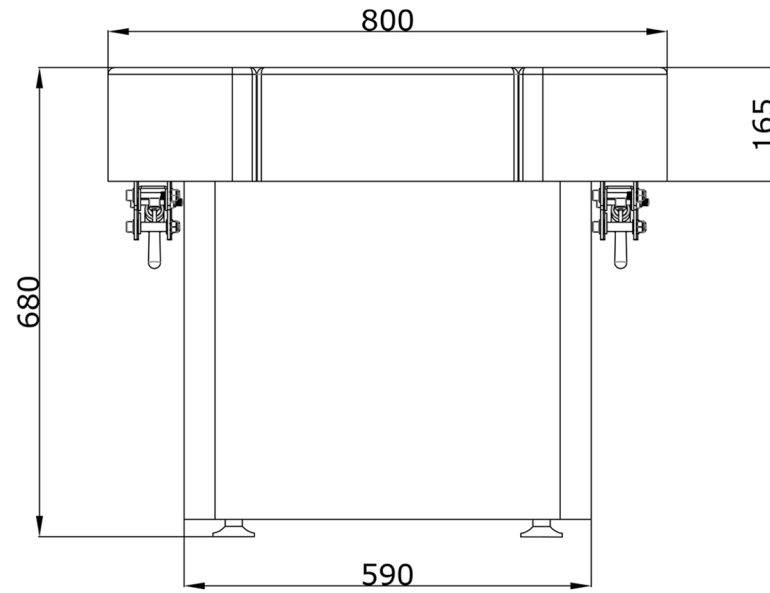


## SIDE VIEW



All dimensions are in mm

## DIMENSIONS



All dimensions are in mm