

MUDRA

Mudra is our professional high-end electric spa treatment table for Spa & Wellness Centres. Electronic adjustments, lowerable armrests and plenty of storage drawers and space to store your hot caby inside the treatment bed.



TOP:

Top Design	Single piece fully electronic top cushion
Foam	150 mm mixed layers of different densities for comfortable massage experience
Frame Structure	Natural Wood, Natural Wood Veneer and Powder Coated Mild Steel Frame
Adjustment (Height)	Electronically adjusted through 2 x 6000N Lifting Columns
Adjustment (Back Rest)	Electronically adjusted through 1 x 6000N Actuator
Adjustment (Leg Rest)	Electronically adjusted through 1 x 6000N Actuator
Adjustment (Arm Rest)	Lockable Gas Springs
Lifting Capacity	250 Kgs

UPHOLSTERY:

Type	Flame / UV / Abrasion Resistant 1.2 mm PVC Coated Fabric
Colour Options	40 colour options
Weight	660 gsm + 5%
Abrasion	EN ISO 5470=2, 25000 Cycles

WOOD FINISH:

Natural American White Oak PU, Natural American White Oak Water Base, Dark Walnut, Yellow Teak, Wenge, Open Pour White Finish (RAL 9010), Open Pour Black

WARRANTY:

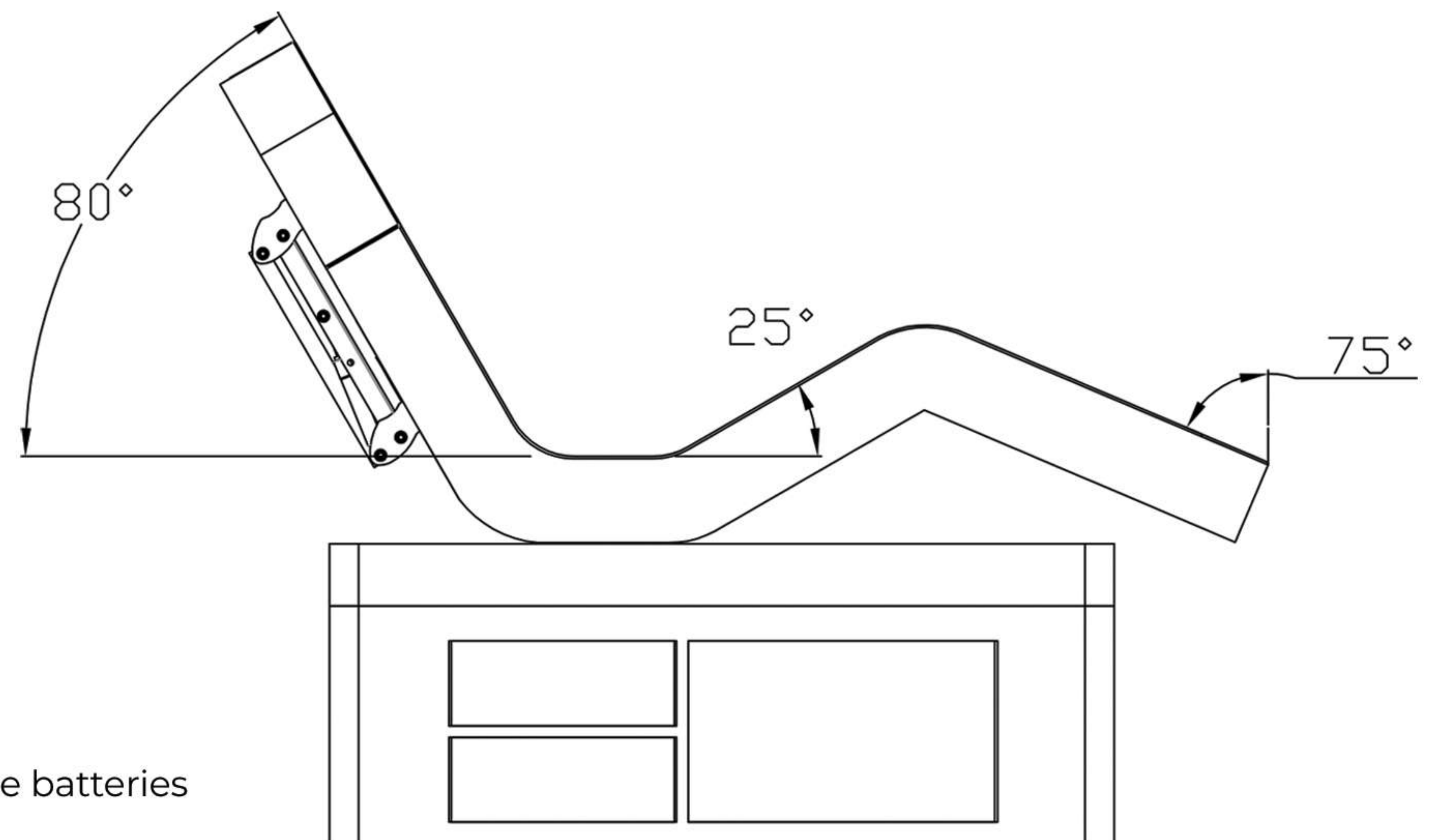
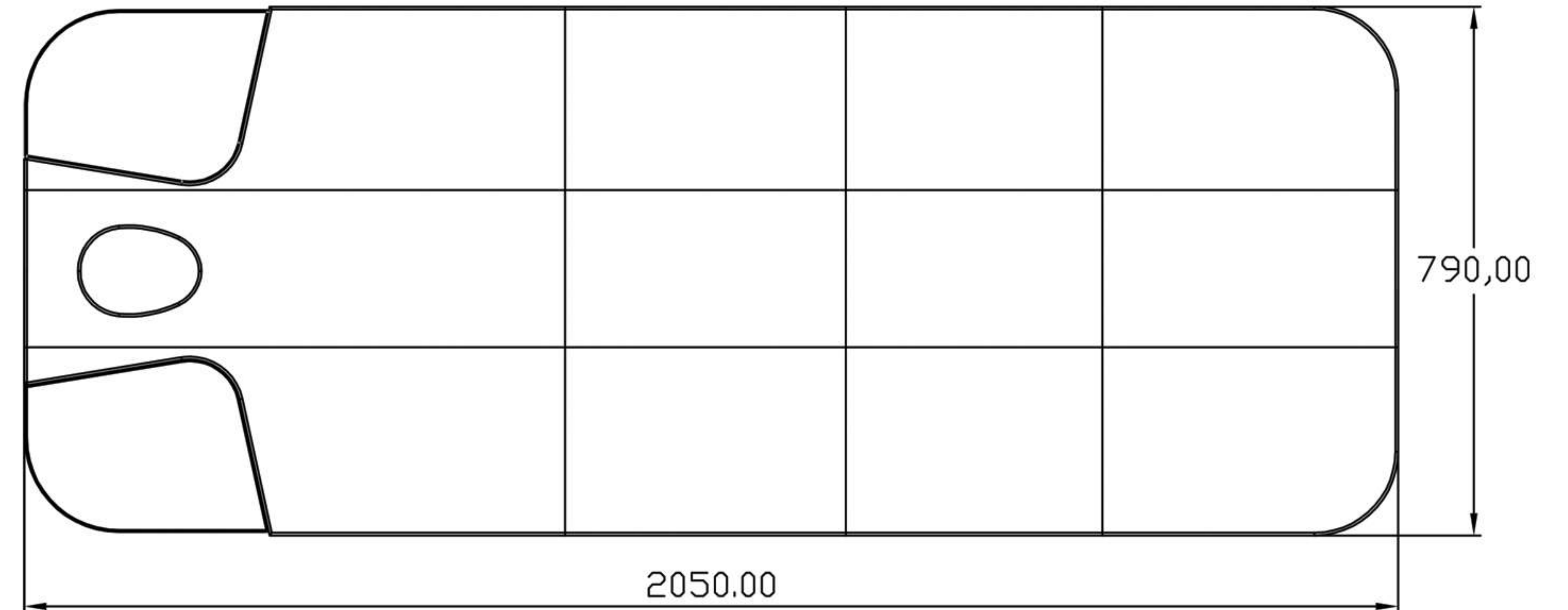
Structure	3 years
Electronic Motors & Controls	2 years

WEIGHTS:

Table Weight	140 Kg
Shipping Weight	220 Kgs
Shipping Dimension	L 214 x W 88 x H 89 cm

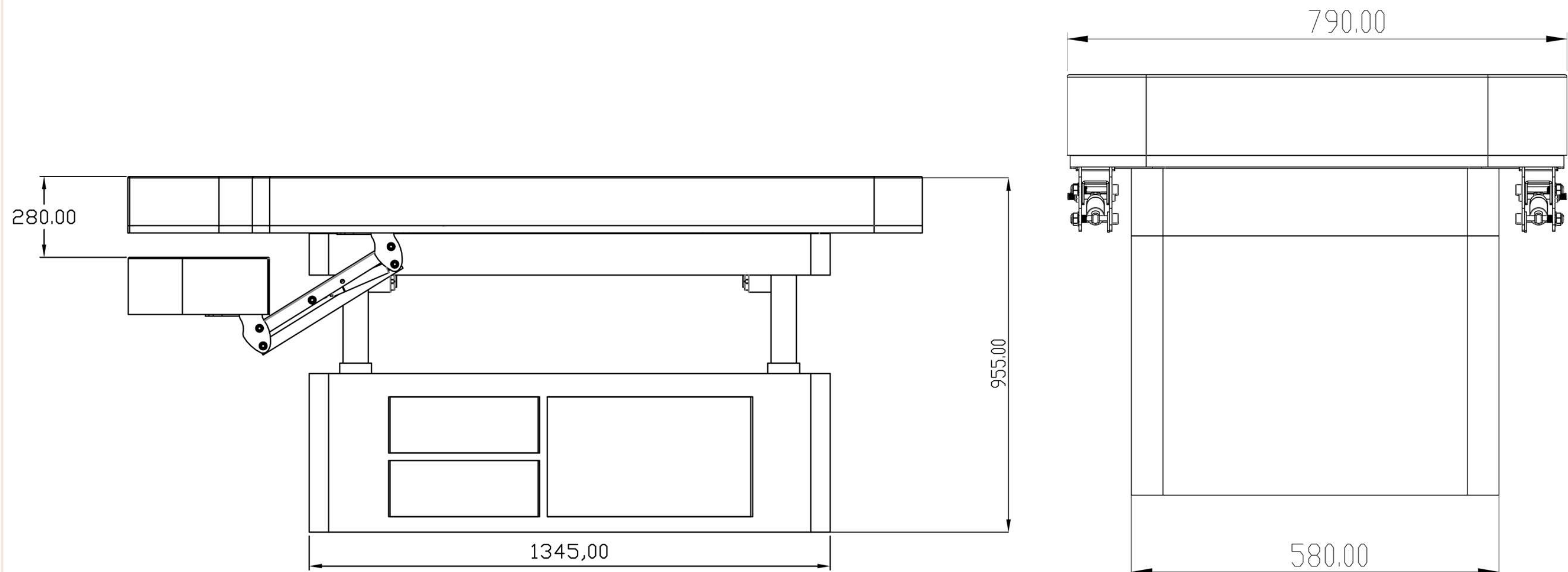
OPTIONAL:

In built heating system - 24 V DC / 200 Watt Heater
Fitted Covers in 100% cotton
Battery Box to operate the treatment table on chargeable batteries

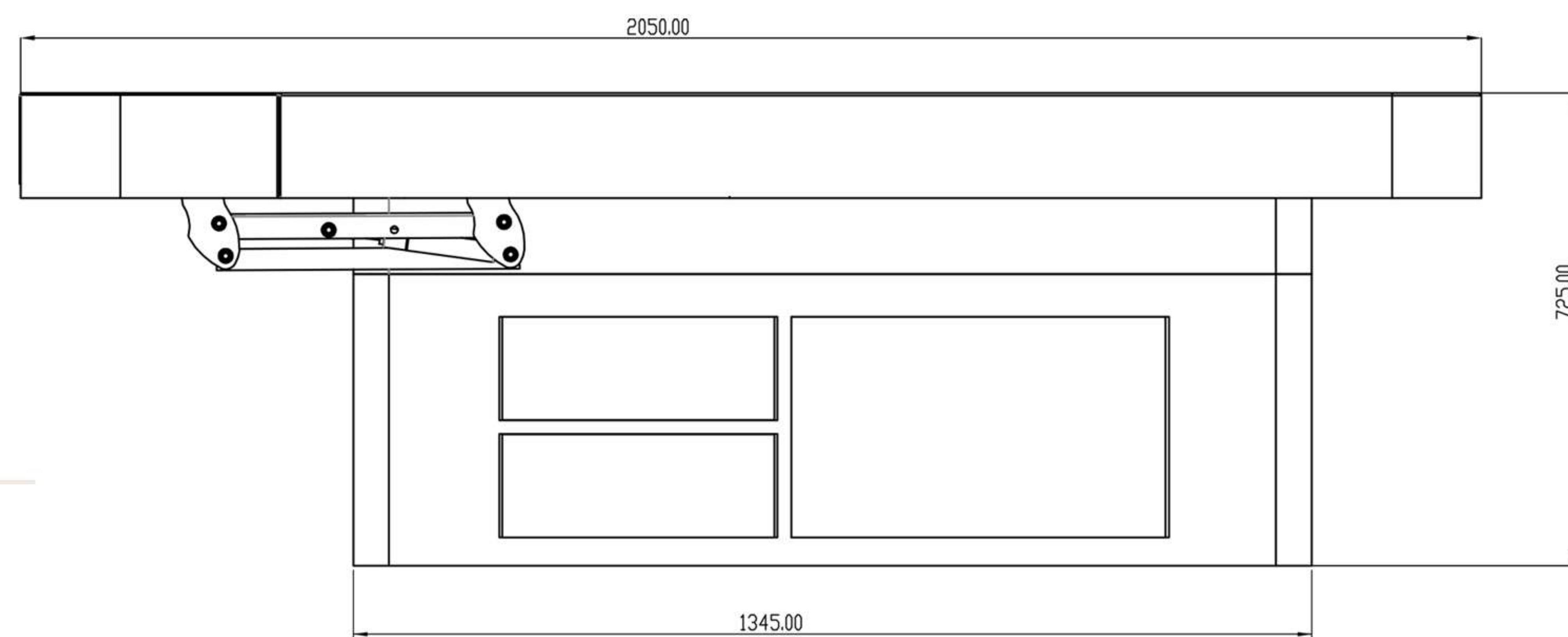


All dimensions are in mm

MAXIMUM HEIGHT



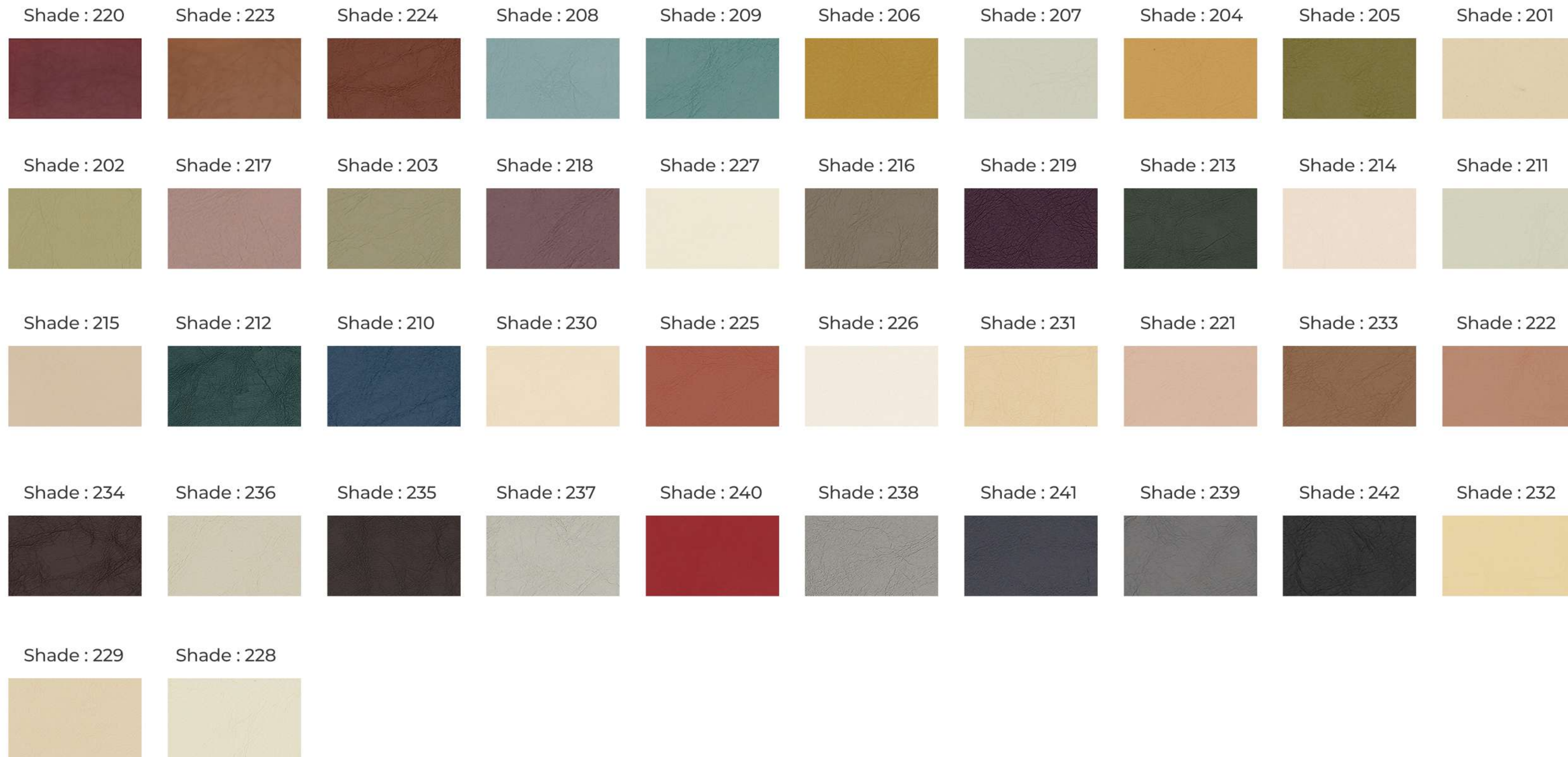
MINIMUM HEIGHT



All dimensions are in mm

MUDRA

Upholstery & Wood Finishes



UPHOLSTERY



WOOD FINISHES