

MUDRA

Mudra is our professional high-end electric spa treatment table for Spa & Wellness Centres. Electronic adjustments, lowerable armrests and plenty of storage drawers and space to store your hot caby inside the treatment bed.



DESIGN

Single piece fully electronic top cushion

FOAM CUSHION

150 mm mixed layers of different densities for comfortable massage experience

FRAME STRUCTURE

Natural Wood, Natural Wood Veneer and Powder Coated Mild Steel Frame

ADJUSTMENTS

Height	Electronically adjusted through 2 x 6000N Lifting Columns
Backrest	Electronically adjusted through 1 x 6000N Actuator
Leg Rest	Electronically adjusted through 1 x 6000N Actuator
Arm Rest	Lockable Gas Springs

LIFTING CAPACITY

250 Kgs

UPHOLSTERY

Type	Phthalate-Free Upholstery	Veridura : Ultra Soft Upholstery
Thickness	1.01 mm	1 mm
Tensile Strength	ISO 1421, 804 N / 5cm	ISO 1421, 869.22 N / 5cm
Features	Fire Retardant, Acetone & Disinfectant Resistant	Anti-Bacterial, Stain resistant, 20 years hydrolysis resistant
Weight	732 g / sqmt	726.7 g / sqmt
Abrasion	ISO 5470-2 = 2,00,000 cycles / min	ISO 5470-2 = 2,00,000 cycles / min

WOOD FINISH

Natural American White Oak PU, Natural American White Oak Water Base, Open Pour White Finish (RAL 9010), Open Pour Black, Dark Walnut, Yellow Teak, Wenge

WARRANTY

Structure	1 years
Electronic Motors & Controls	2 years

WEIGHTS

Net Weight	140 Kgs
Shipping Weight	135 Kgs
Shipping Dimension	L 214 x W 88 x H 89 cm

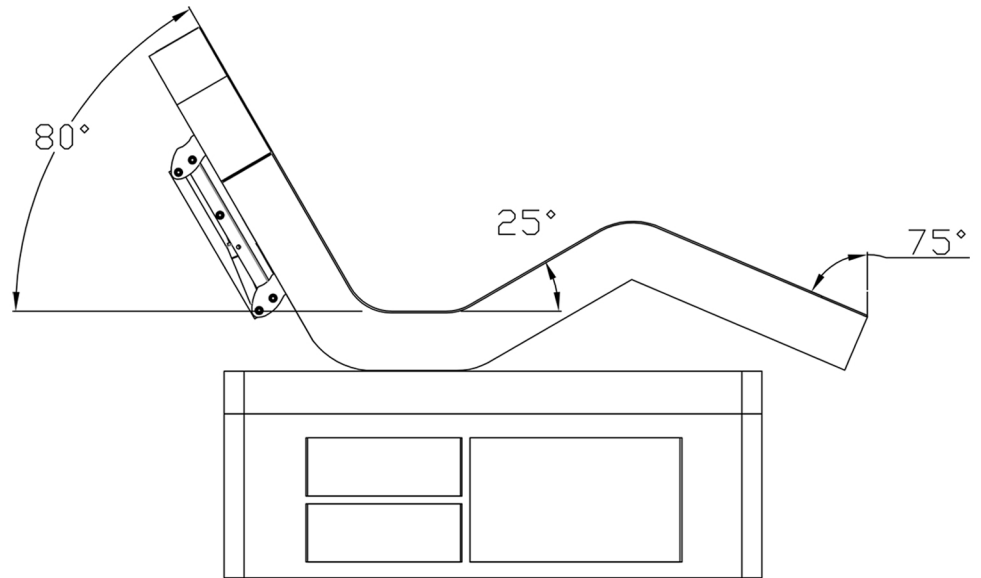
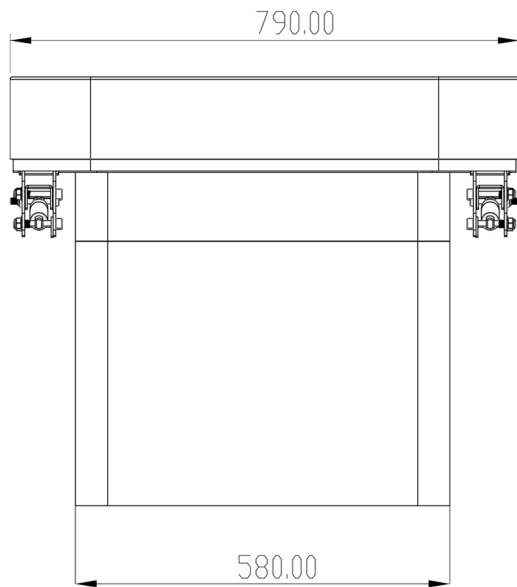
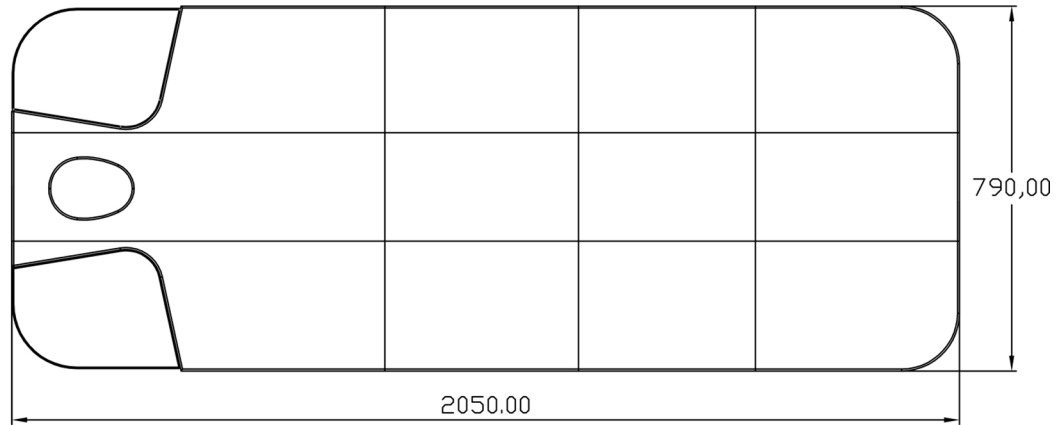
OPTIONAL

In built heating system - 24 V DC / 200 W Heater
Fitted Covers in 100% cotton
Battery Box to operate the treatment table on chargeable batteries



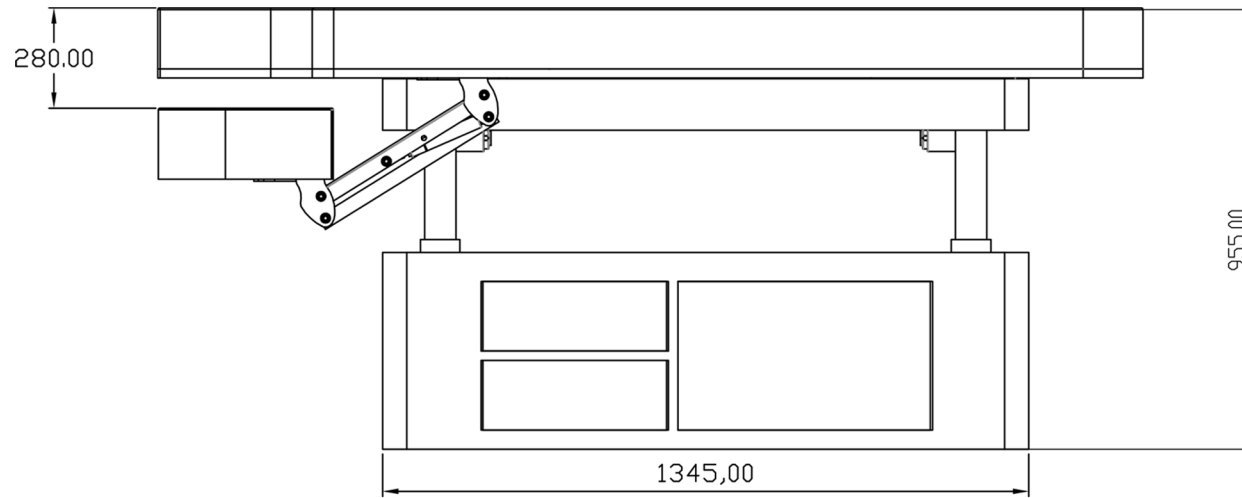
DIMENSIONS

TOP VIEW

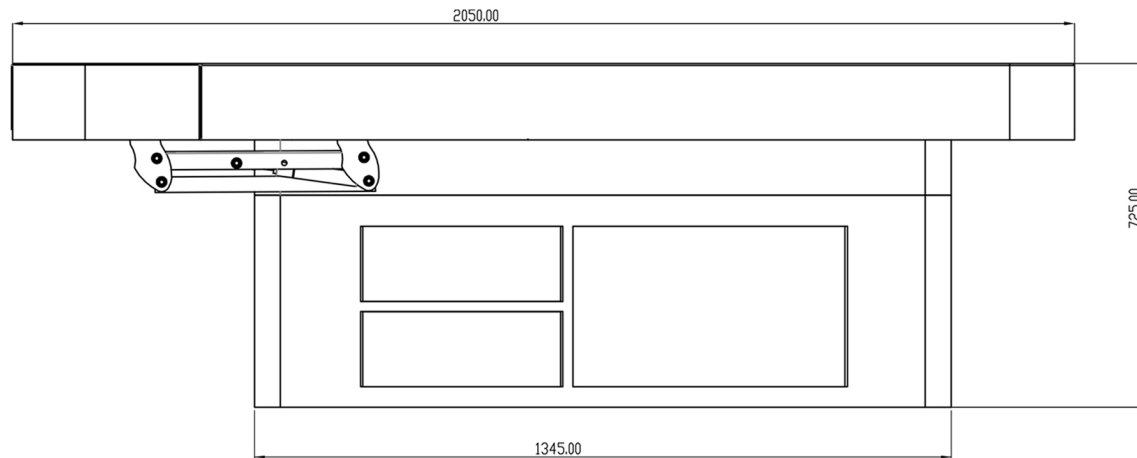


All dimensions are in mm

MAXIMUM HEIGHT



MINIMUM HEIGHT



All dimensions are in mm