

The Raman Pro is Esthetica's four-motor electric spa treatment table — built for spas and wellness centres that demand precise, reliable positioning across every treatment. Four motors drive independent backrest, legrest, and height adjustments, giving therapists complete control at their fingertips. With up to 120 mm of height adjustment and a storage base that travels with the table, the Raman is straightforward, dependable, and built for everyday spa use.



KEY FEATURES



Programmable Handset with Memory Function

The Raman's handset stores up to three therapist-defined positions that can be recalled with a single touch. A dedicated reset function returns the table to its default position at the close of every session — saving time and ensuring a consistent, seamless guest experience.

Built-In Storage

The Raman features generous built-in storage beneath the table, providing easy access to towels, oils, and spa accessories — keeping the treatment space tidy and everything a therapist needs within easy reach throughout the session.

Height - Tracking Storage

With up to 120mm of motorised height adjustment, the Raman allows therapists to set the table at their ideal working height. The built-in storage base moves with the table through its full height range, keeping everything within reach at every position without any manual adjustment.

Veridura Phthalate-Free Upholstery

The Raman is upholstered in Veridura Phthalate-Free Upholstery, designed for professional spa environments. Soft to the touch yet built for the demands of daily commercial use, it resists stains, oils, and disinfectants, and carries antibacterial and fire retardant properties as standard.

FEATURES

Armrests
Backrest
Legrest
Height
Foam Cushion
Storage
Optional

Programable Handset

Gas spring assisted lowerable arm rest for comfortable massage position
Electronically Adjustable
Electronically Adjustable
Electronically Adjustable
160 mm mixed layers of different densities for comfortable massage experience
Built-In Storage
IVC Heating Technology



TECHNICAL SPECIFICATIONS

Length 2045 mm / 80.5 in
Width 800 mm / 31.4 in
Minimum Height 670 mm / 26.3 in
Maximum Height 790 mm / 31 in

ELECTRICAL PARAMETERS

Power in (Mains Power Supply) 100–240V, 50–60Hz, 3A
IPX Rating IPX6
Operating Temperature 10–40°C
Shock Protection: Class I

BASE & FRAME

Base Powder-coated mild steel frame
Safe Working Load 250 kgs
Load Bearing capacity 180 kgs

SAFETY STANDARDS

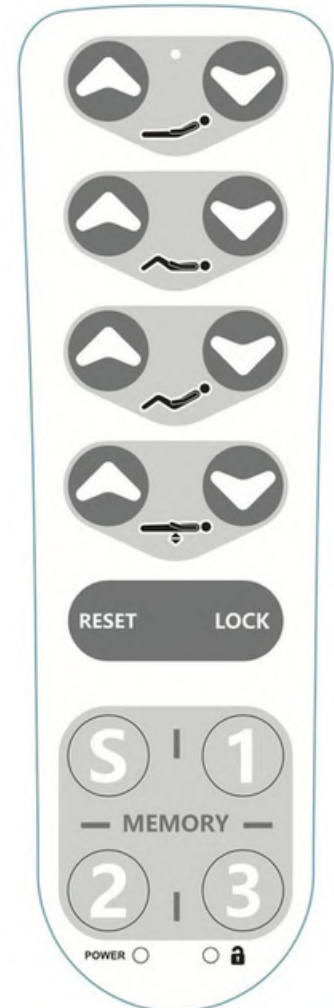
General Safety Standards IEC 60601-1
EMI/EMC IEC 60601-2

UPHOLSTERY

Type Veridura Phthalate-Free Upholstery
Thickness 1 mm
Tensile Strength ISO 1421, 869.22 N/ 5 cm
Colour Options Cream, Beige, Mouse Grey, Brown, Charcoal Grey
Weight 726.7 g / sqmt
Abrasion ISO 5470-2 = 2,00,000 cycles / min

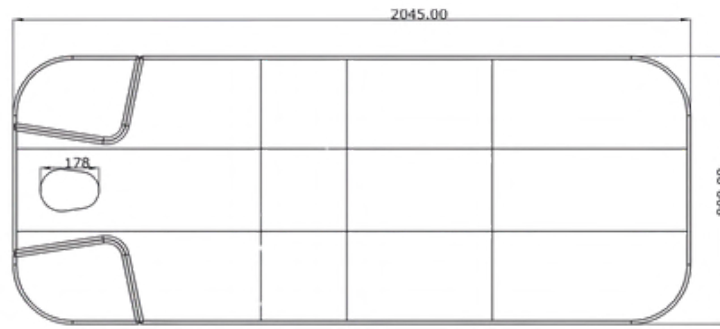
WARRANTY

Motors 2 years
Frame 5 years

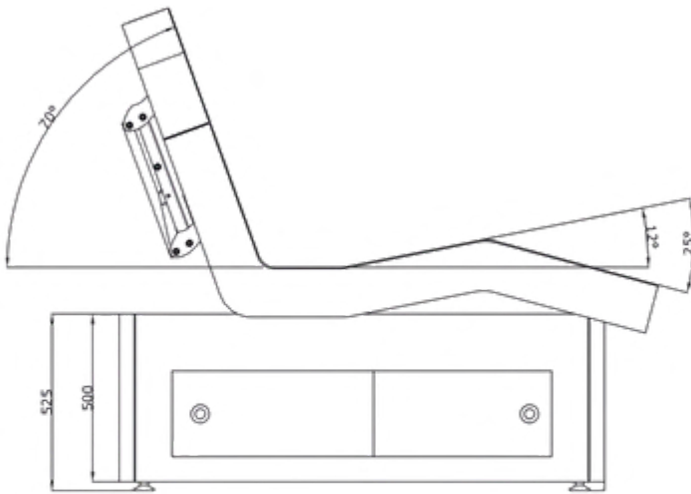


HANDSET

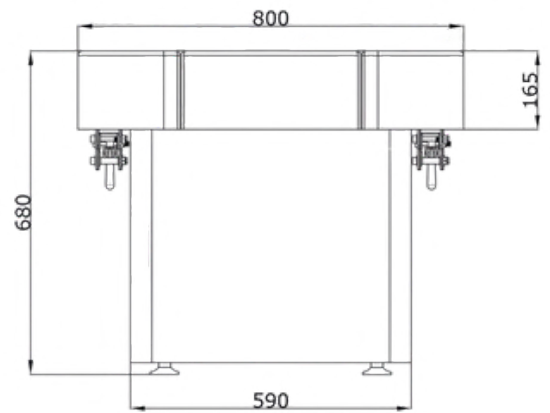
TECHNICAL DRAWINGS



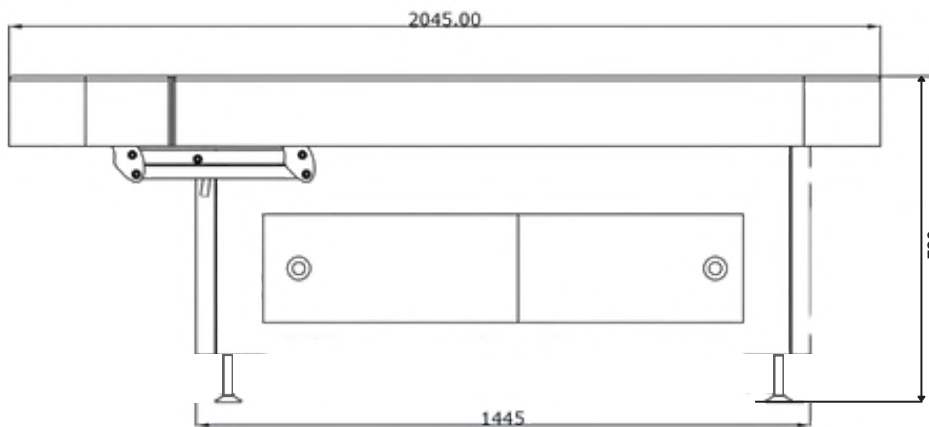
TOP VIEW



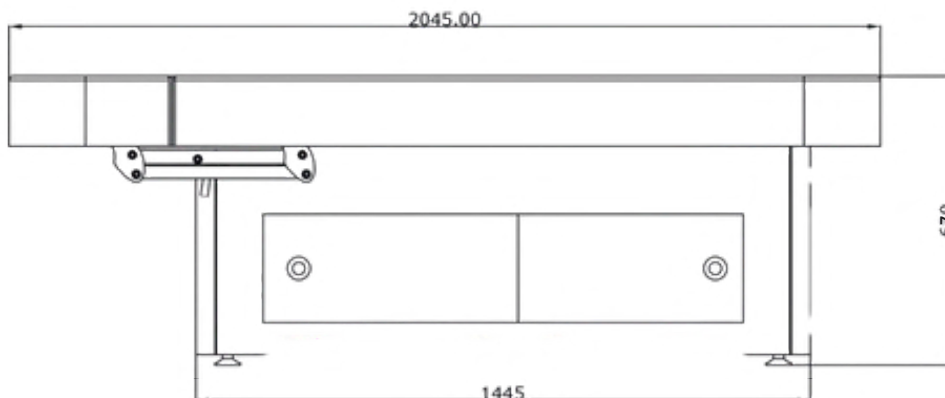
SIDE VIEW



FRONT VIEW



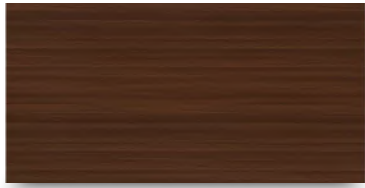
MAXIMUM HEIGHT



MINIMUM HEIGHT

ALL DIMENSIONS ARE IN MM

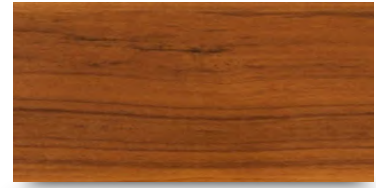
WOOD FINISH OPTIONS



American Oak
Dark Walnut



American Oak
Wenge



American Oak
Yellow Teak



American Oak
White Wash Finish



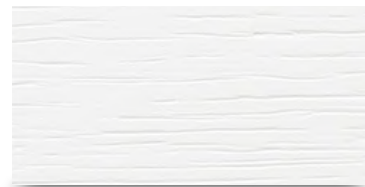
American Oak
Water Base



American Oak
PU Finish

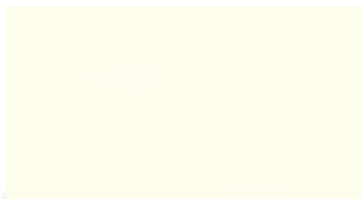


American Oak
Open Pore Black

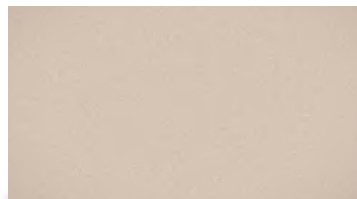


American Oak
Open Pore White

VERIDURA PHTHALATE-FREE UPHOLSTERY



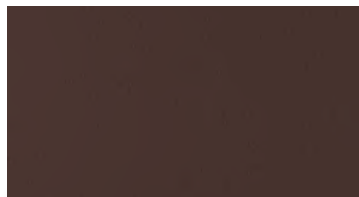
Cream



Beige



Mouse Grey



Brown



Charcoal Grey



Phthalate-Free



Fire Retardant



Oil Resistant



Alcohol Resistant



Ultra Soft



Stain Resistant



Anti Bacterial



Eco - Friendly