

The Somil is Esthetica's premium relaxation lounger — thoughtfully designed for luxury spa environments where comfort meets refined elegance. Equipped with two independent motors, the backrest and legrest can be adjusted effortlessly for a fully personalised lounging experience. Its 100mm mixed-density foam cushioning delivers exceptional comfort during extended relaxation, while details like the flexible reading lamp, fold-out side tray, and removable neck pillow enhance convenience and indulgence. Crafted with a solid wood, veneer, and reinforced metal frame, the Somil combines sophisticated aesthetics with long-lasting commercial durability.



## KEY FEATURES



### Dual Motor Independent Adjustment with Reset

Two independent motors drive the backrest and legrest separately, giving guests complete control over their recline position — from fully flat to any elevated angle. A dedicated reset function returns the lounge to its default position at the close of every session — saving time and ensuring a consistent experience.

### Flexible Reading Lamp

The Somil comes fitted with a flexible reading lamp that can be angled to the guest's preference — a thoughtful touch that makes it equally suited to quiet rest, reading, or simply unwinding in comfort.

### Fold-Out Side Tray & Removable Neck Pillow

A fold-out side tray provides a convenient surface for drinks, devices, or spa accessories, while the removable neck pillow allows guests to customise their head and cervical support — together making the Somil a fully considered relaxation solution.

### Veridura Ultra Soft Upholstery

The Somil is available in Veridura Ultra Soft Upholstery — exceptionally soft to the touch and built for the demands of daily commercial use, with phthalate-free, antibacterial, and stain-resistant properties as standard.

## FEATURES

Design	Fully Flat to Elevated Recline
Backrest & Legrest	Dual Motor Independent Backrest & Legrest Adjustment
Neck Pillow	Removable
Light	Flexible Reading Lamp
Foam Cushion	100 mm mixed layers of different densities for comfortable massage experience
Storage	Solid Wood Veneer & Reinforced Metal Frame with Storage Base

## TECHNICAL SPECIFICATIONS

Length	1950 mm / 76.7 in
Width	785 mm / 30.9 in
Height	610 mm / 24 in

## ELECTRICAL PARAMETERS

Power in (Mains Power Supply)	100–240V, 50–60Hz, 3A
IPX Rating	IPX6
Operating Temperature	10–40°C
Shock Protection:	Class I

## BASE & FRAME

Base	Natural Wood Veneer & Powder-Coated Mild Steel Frame
Maximum Load	250 kgs

## SAFETY STANDARDS

General Safety Standards	IEC 60601-1
EMI/EMC	IEC 60601-2

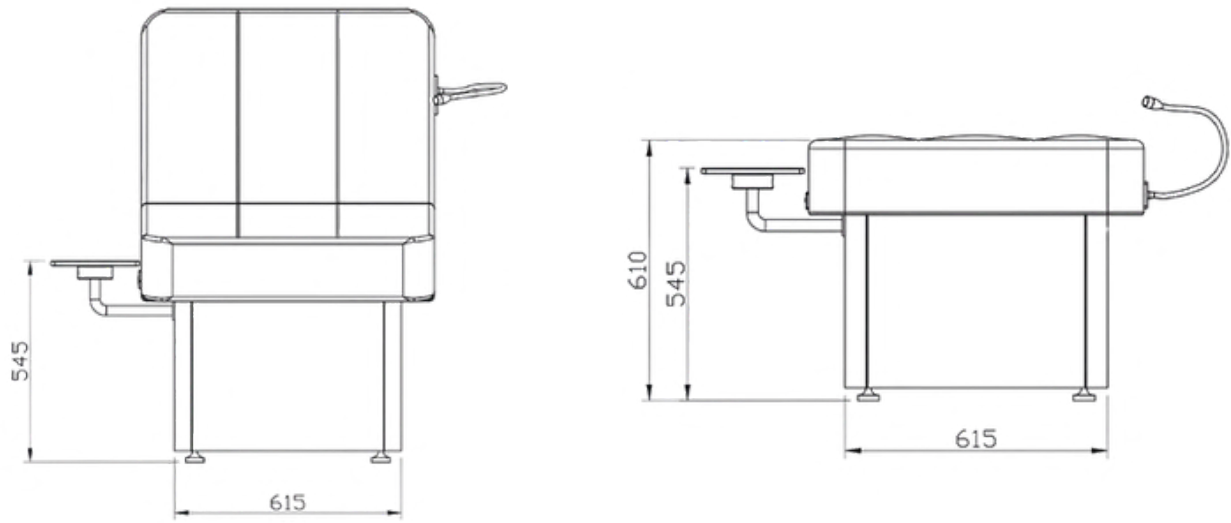
## UPHOLSTERY

Type	Veridura Ultra Soft Upholstery	Phthalate-Free Upholstery
Thickness	1 mm	1.01 mm
Tensile Strength	ISO 1421, 869.22 N/ 5 cm	ISO 1421, 804 N/ 5 cm
Colour Options	Cream, Beige, Mouse Grey, Brown, Charcoal Grey	Cream, Beige, Mouse Grey, Brown
Weight	726.7 g / sqmt	732 g / sqmt
Abrasion	ISO 5470-2 = 2,00,000 cycles / min	ISO 5470-2 = 2,00,000 cycles / min

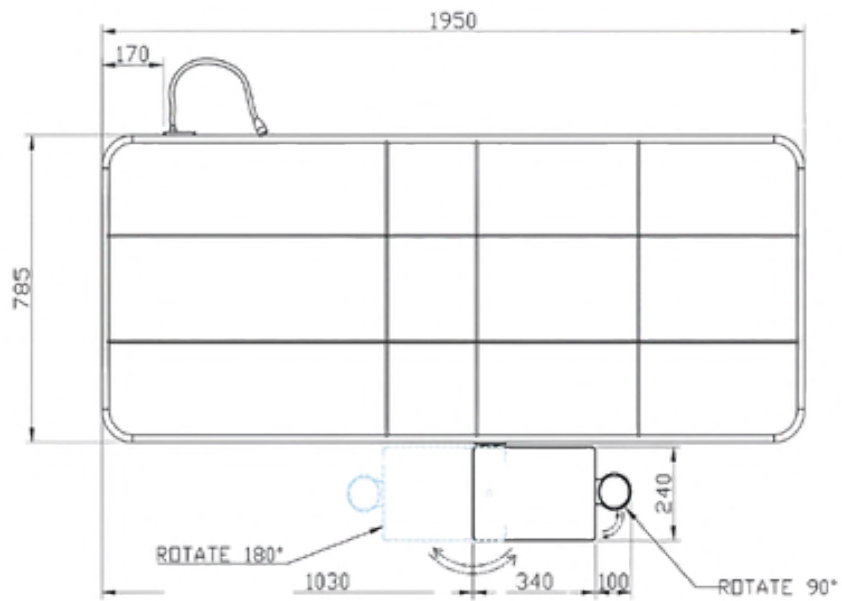
## WARRANTY

1 year agaisnt any manufacturing defects

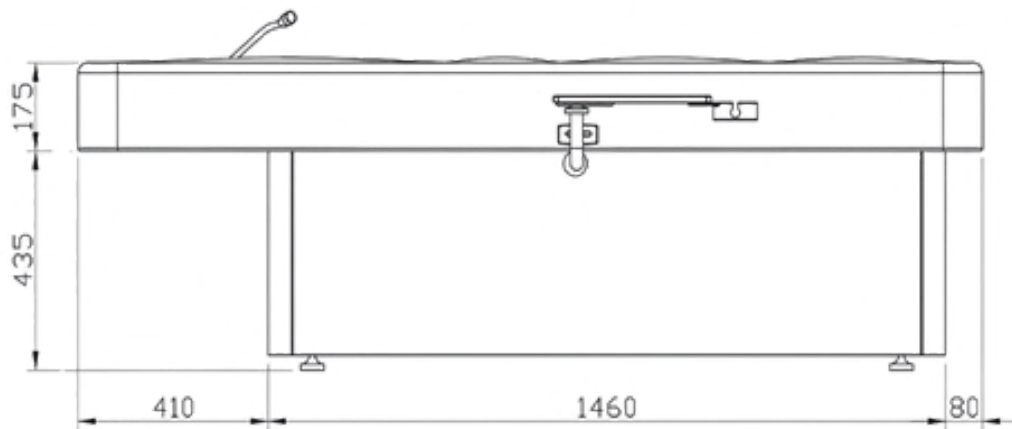
# TECHNICAL DRAWINGS



SIDE VIEW



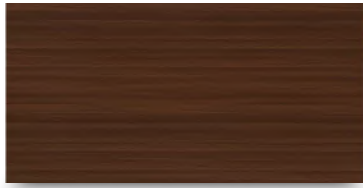
TOP VIEW



SIDE VIEW

ALL DIMENSIONS ARE IN MM

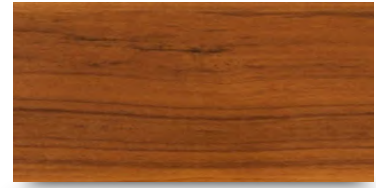
## WOOD FINISH OPTIONS



American Oak  
Dark Walnut



American Oak  
Wenge



American Oak  
Yellow Teak



American Oak  
White Wash Finish



American Oak  
Water Base



American Oak  
PU Finish

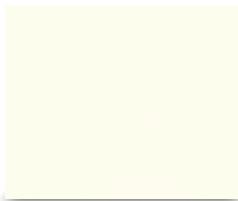


American Oak  
Open Pore Black

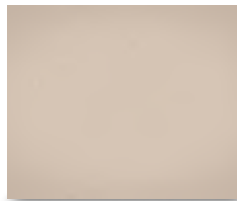


American Oak  
Open Pore White

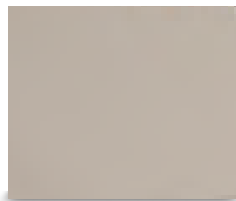
## VERIDURA ULTRA SOFT UPHOLSTERY



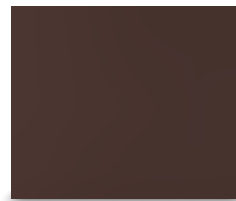
Cream



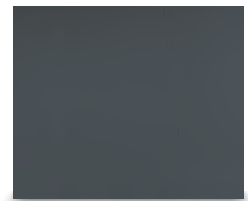
Beige



Mouse Grey



Brown



Charcoal Grey



Phthalate-Free



Fire Retardant



Oil Resistant



Alcohol Resistant



Ultra Soft



Stain Resistant



Anti Bacterial

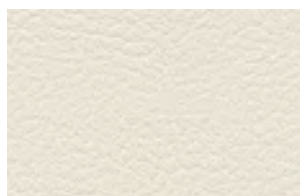


Eco - Friendly

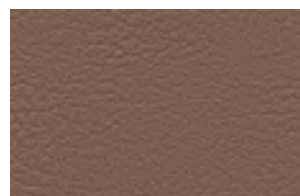
## PHTHALATE-FREE UPHOLSTERY



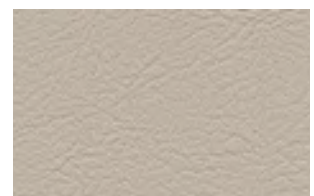
Cream



Beige



Brown



Mouse Grey