

# VISMAYA

Vismaya Relaxation Lounger seamlessly combines elegance, practicality and unparalleled comfort. Made from high-quality American Oak Wood and Oak Veneer, it ensures a luxurious relaxation experience for guests. Ergonomically crafted, the mattress can also feature an integrated heating option for enhanced indulgence.



## DESIGN

Wave shape lounger

## FOAM CUSHION

100 mm mixed layers of different densities for comfortable massage experience

## FRAME STRUCTURE

Crafted from solid wood & natural wood veneer, reinforced with a metal frame structure from inside

## AREA OF USE

Indoor use only

## ACCESSORIES

Detachable lateral side shelf for food & drinks

## LIFTING CAPACITY

250 Kgs

## UPHOLSTERY:

Type	Phthalate-Free Upholstery	Veridura : Ultra Soft Upholstery
Thickness	1.01 mm	1 mm
Tensile Strength	ISO 1421, 804 N / 5cm	ISO 1421, 869.22 N / 5cm
Features	Fire Retardant, Acetone & Disinfectant Resistant	Anti-Bacterial, Stain resistant, 20 years hydrolysis resistant
Weight	732 g / sqmt	726.7 g / sqmt
Abrasion	ISO 5470-2 = 2,00,000 cycles / min	ISO 5470-2 = 2,00,000 cycles / min

## WOOD FINISH:

Natural American White Oak PU, Natural American White Oak Water Base, Open Pour White Finish (RAL 9010), Open Pour Black, Dark Walnut, Yellow Teak, Wenge

## WARRANTY:

Structure 5 years  
Upholstery 1 years

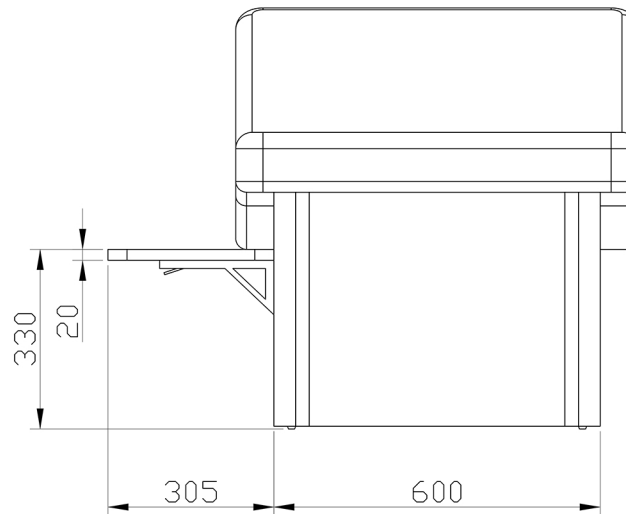
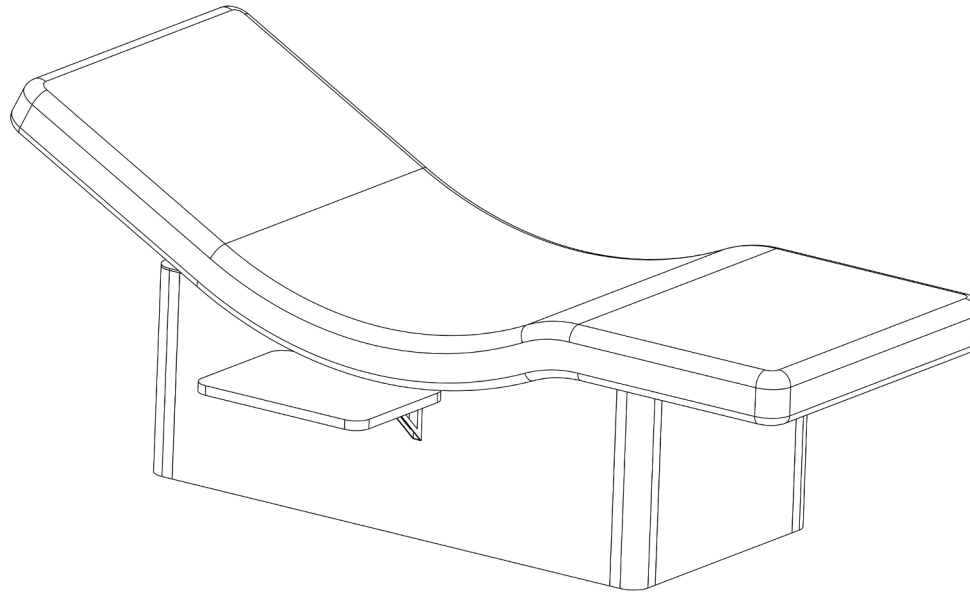
## WEIGHTS:

Net Weight 85 Kgs  
Shipping Weight 120 Kgs  
Shipping Dimension L 203 x W 87 x H 100 cm

## OPTIONAL:

In built heating system - 24 V DC / 200W Heater with digital temperature contro upto 47°C

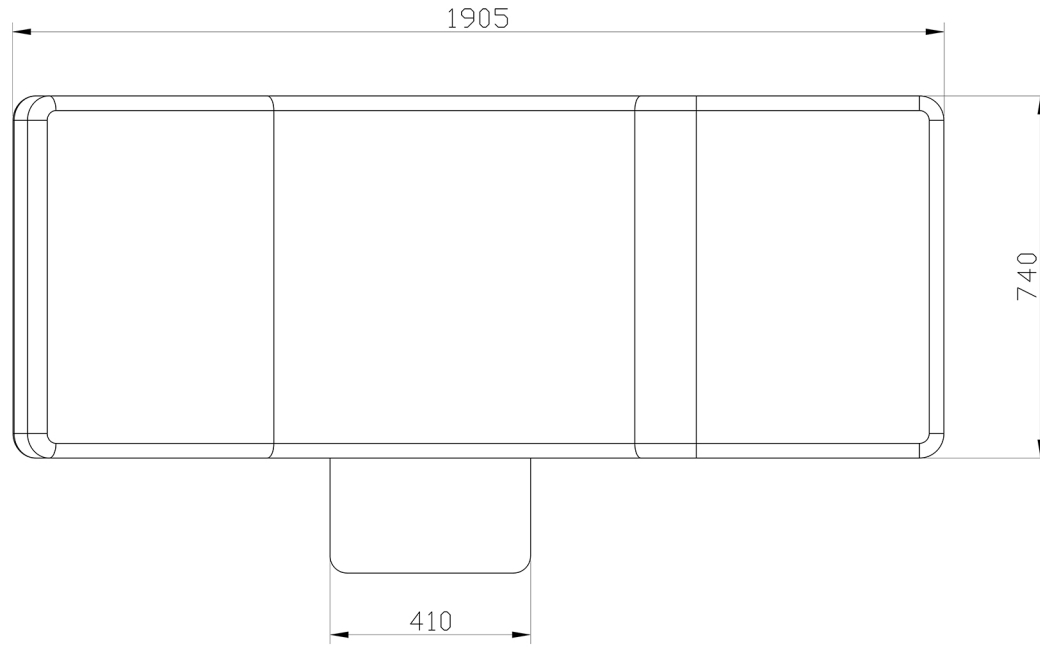
## DIMENSIONS



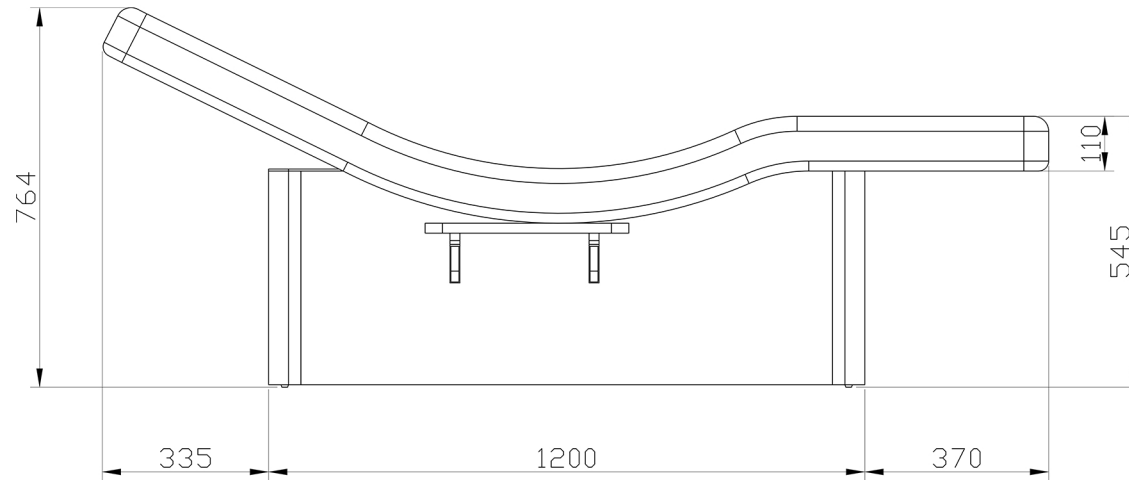
All dimensions are in mm

# DIMENSIONS

## TOP VIEW



## SIDE VIEW



All dimensions are in mm