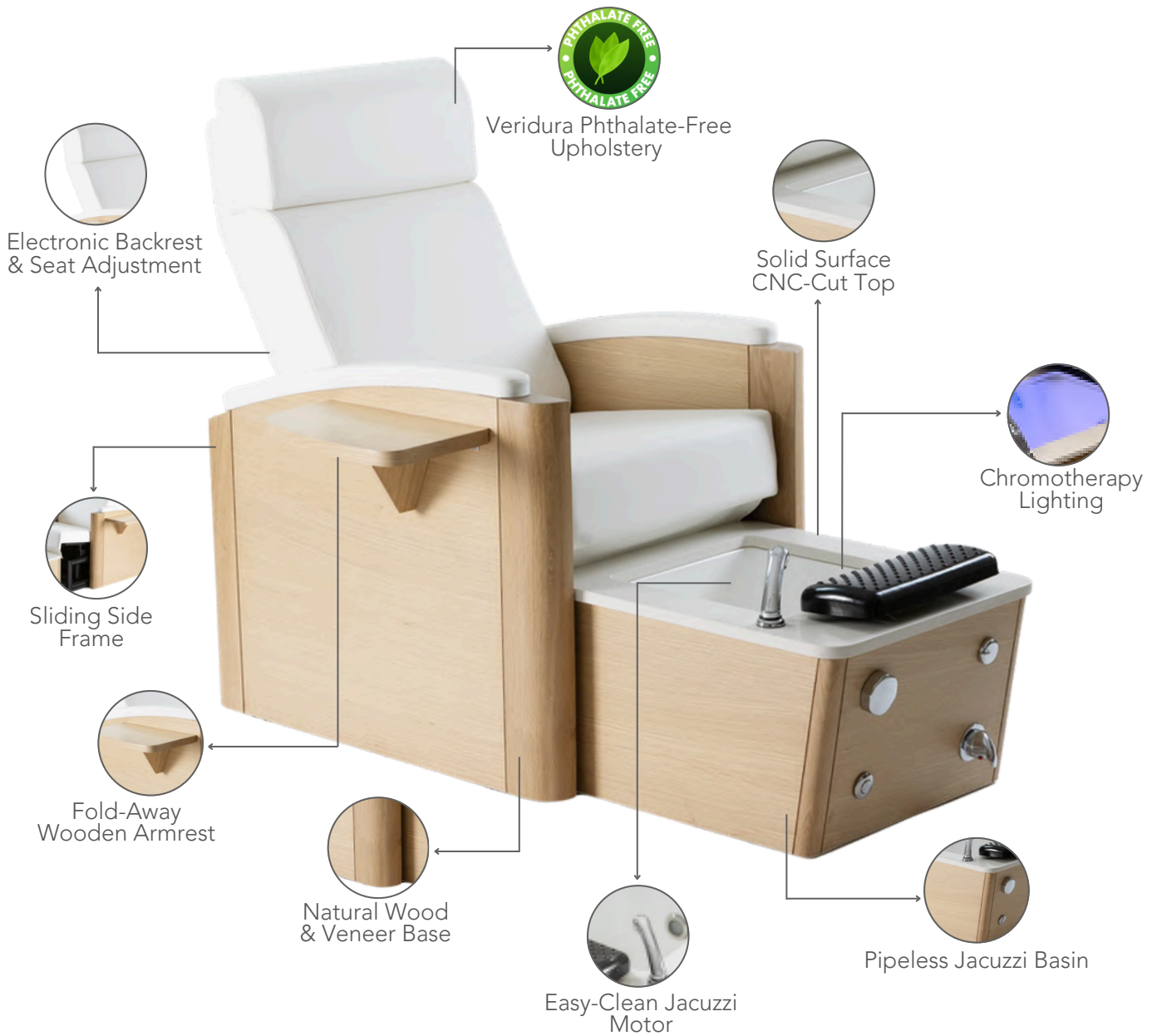


The Anagh is Esthetica's professional pedicure spa chair, designed for premium spas seeking a full-featured pedicure station with a luxury aesthetic. A pipeless jacuzzi function ensures superior hygiene with an easy-to-clean basin, while chromotherapy lighting creates an immersive, calming experience for the guest during every treatment. Electronic seat and backrest adjustments, a sliding side frame for easy client access, and a fold-away wooden armrest for manicure treatments make the Anagh as practical as it is refined.



KEY FEATURES



Pipeless Jacuzzi with Chromotherapy

The Anagh features a pipeless jacuzzi system for superior hygiene — with no pipes to harbour bacteria, the basin is easy to clean between guests. Built-in chromotherapy lighting adds a soothing colour-changing ambiance that enhances the pedicure experience from start to finish.

Sliding Side Frame for Easy Guest Access

One side of the Anagh can be manually slid back, creating a wider entry point that makes it easy for guests to get on and off the chair — a thoughtful detail that improves both comfort and accessibility

Electronic Seat & Backrest Adjustment

Both the seat position and backrest are electronically adjustable, allowing therapists to configure the chair precisely for each guest's comfort and treatment requirements — without interrupting the flow of the service.

Veridura Phthalate-Free Upholstery

Available in Veridura Phthalate-Free Upholstery, designed for professional spa environments, offering a safer surface for both clients and therapists. It resists stains, acetone, and disinfectants, withstands frequent cleaning, and ensures durable, fire- and abrasion-resistant performance.

FEATURES

Backrest	Electronically Adjustable
Seating Position	Electronically Adjustable
Jacuzzi Basin	Pipeless, Easy-Clean to clean Jacuzzi Motor with Chromotherapy Lighting
Wooden Side Frame	Manually slided and fitted with roller wheels and slide channel

TECHNICAL SPECIFICATIONS

Length	1780 mm / 70 in
Width	1175 mm / 46.2 in
Height	1235 mm / 48.6 in
Angle	55°

ELECTRICAL PARAMETERS

Power in (Mains Power Supply)	100–240V, 50–60Hz, 3A
IPX Rating	IPX6
Operating Temperature	10–40°C
Shock Protection:	Class I

BASE & FRAME

Base	Powder-coated mild steel frame
Safe Working Load	250 kgs
Load Bearing capacity	180 kgs

SAFETY STANDARDS

General Safety Standards	IEC 60601-1
EMI/EMC	IEC 60601-2

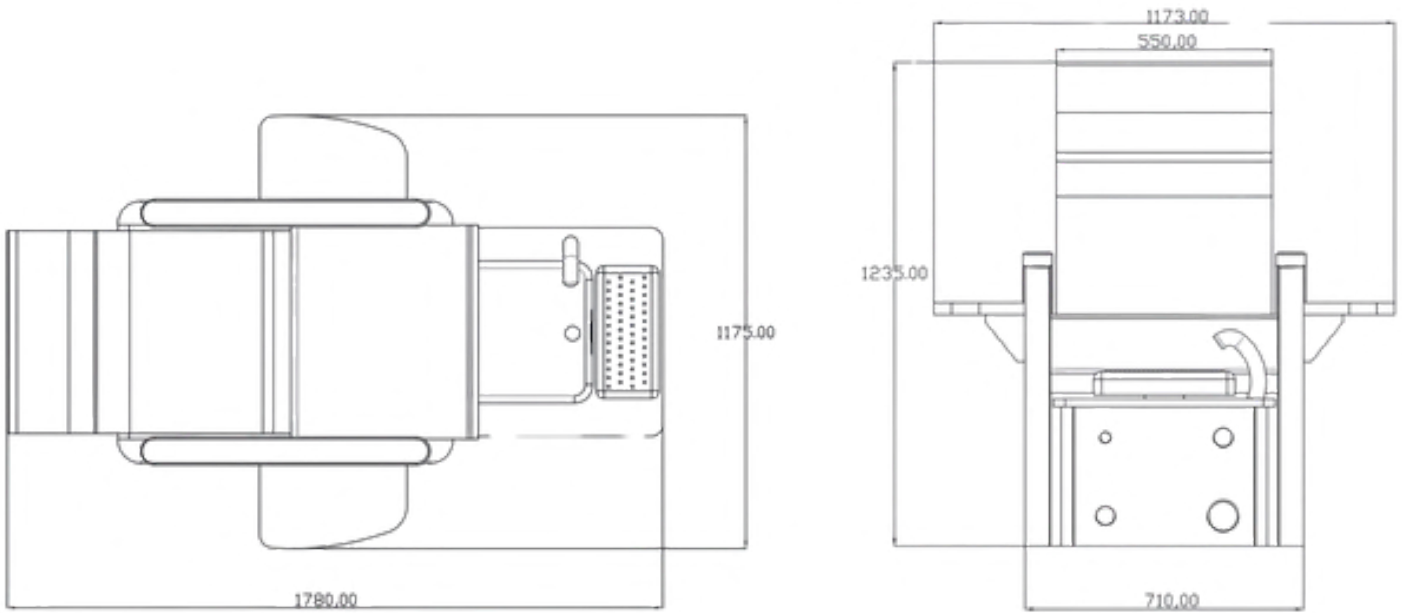
UPHOLSTERY

Type	Veridura Phthalate-Free Upholstery
Thickness	1 mm
Tensile Strength	ISO 1421, 869.22 N/ 5 cm
Colour Options	Cream, Beige, Mouse Grey, Brown, Charcoal Grey
Weight	726.7 g / sqmt
Abrasion	ISO 5470-2 = 2,00,000 cycles / min

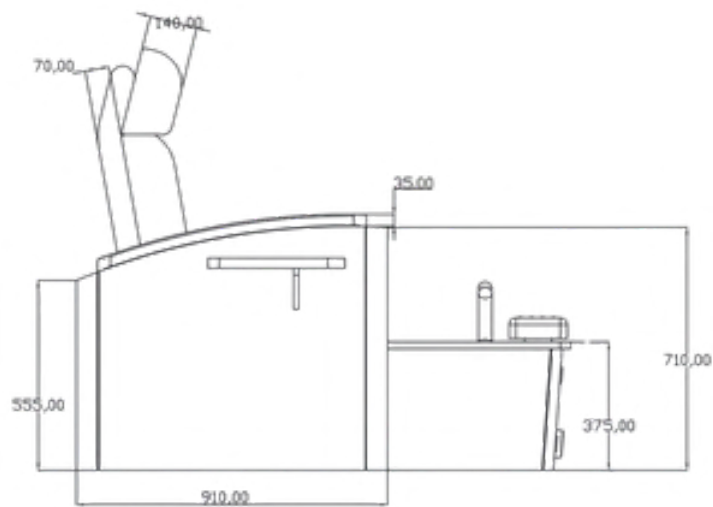
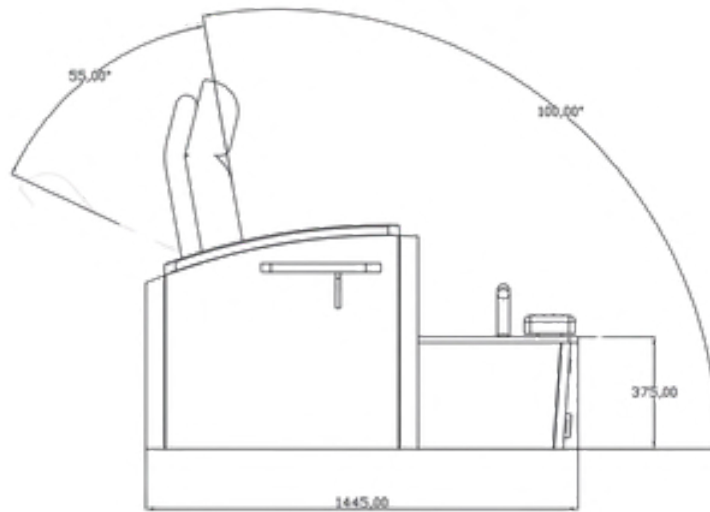
WARRANTY

Motors	2 years
Frame	5 years

TECHNICAL DRAWINGS



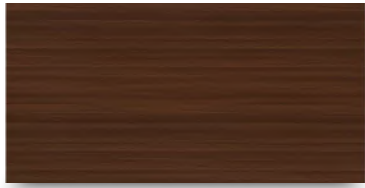
TOP VIEW



SIDE VIEW

ALL DIMENSIONS ARE IN MM

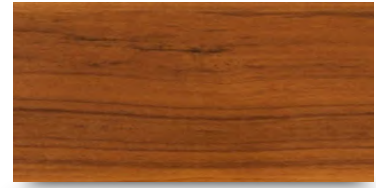
WOOD FINISH OPTIONS



American Oak
Dark Walnut



American Oak
Wenge



American Oak
Yellow Teak



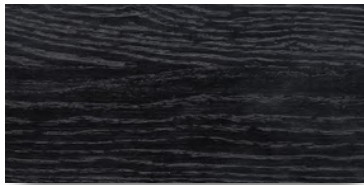
American Oak
White Wash Finish



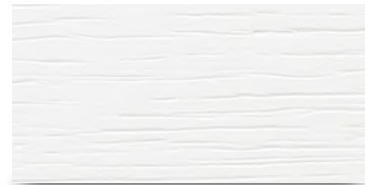
American Oak
Water Base



American Oak
PU Finish

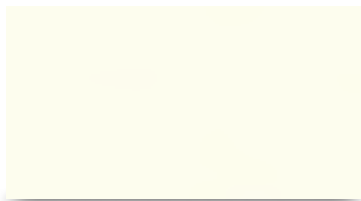


American Oak
Open Pore Black

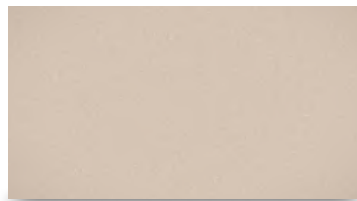


American Oak
Open Pore White

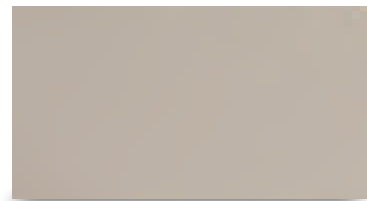
VERIDURA PHTHALATE-FREE UPHOLSTERY



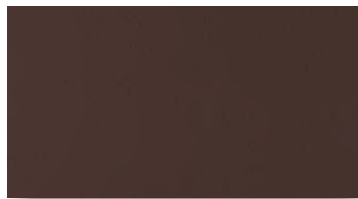
Cream



Beige



Mouse Grey



Brown



Charcoal Grey



Phthalate-Free



Fire Retardant



Oil Resistant



Alcohol Resistant



Ultra Soft



Stain Resistant



Anti Bacterial



Eco - Friendly