

SERENICA

Serenica by Esthetica is a luxury multi-purpose chair designed for facials, manicures, pedicures, and hair blow-dry treatments. The backrest is electronically adjustable, and it includes a retractable pedicure tub with a built-in footrest. Made from premium American Oak wood, Serenica also features a detachable iPad holder, a manicure bowl, and an integrated hairdryer stand with a Schneider plug point. Stylish and versatile, it's the perfect addition to any high-end salon or spa.





DESIGN

Electronically operated pipeless pedicure spa chair

FEATURES

- A luxury pedicure spa chair crafted in American Oak wood.
- Upholstered in waterproof and stain-resistant fabric for long-lasting elegance.
- Retractable pedicure station with smooth, space-saving design.
- Electronically controlled backrest adjustment for personalized comfort.
- USB-A and USB-C charging ports for modern convenience.
- Stainless steel foot pedestal for comfort when the tub is retracted.
- Additional foot pedestal on the pedicure tub for guest support.
- Detachable iPad stand, interchangeable with a manicure bowl.
- Integrated hairdryer stand and Schneider plug point for professional use.
- Available in a variety of wood finishes and upholstery colours to complement any spa aesthetic

FOAM CUSHION

Multiple density foam cushion (Combination 75 mm and 95 mm Soft Foam Cushion)

FRAME STRUCTURE

Natural Wood, Natural Wood Veneer, Solid Surface Artificial Marble Top and Powder Coated Mild Steel Frame

ADJUSTMENTS

Backrest	Electronically adjustable
Headrest	Manually retractable
Pedicure station	Manually retractable with slide in tub

MOTORS WEIGHT CAPACITY

150 Kgs

UPHOLSTERY

Type	Phthalate-Free Upholstery	Veridura : Ultra Soft Upholstery
Thickness	1.01 mm	1 mm
Tensile Strength	ISO 1421, 804 N / 5cm	ISO 1421, 869.22 N / 5cm
Features	Fire Retardant, Acetone & Disinfectant Resistant	Anti-Bacterial, Stain resistant, 20 years hydrolysis resistant
Weight	732 g / sqmt	726.7 g / sqmt
Abrasion	ISO 5470-2 = 2,00,000 cycles / min	ISO 5470-2 = 2,00,000 cycles / min

WOOD FINISH

Natural American White Oak PU, Natural American White Oak Water Base, Open Pore White Finish (RAL 9010), Open Pore Black, Dark Walnut, Wenge

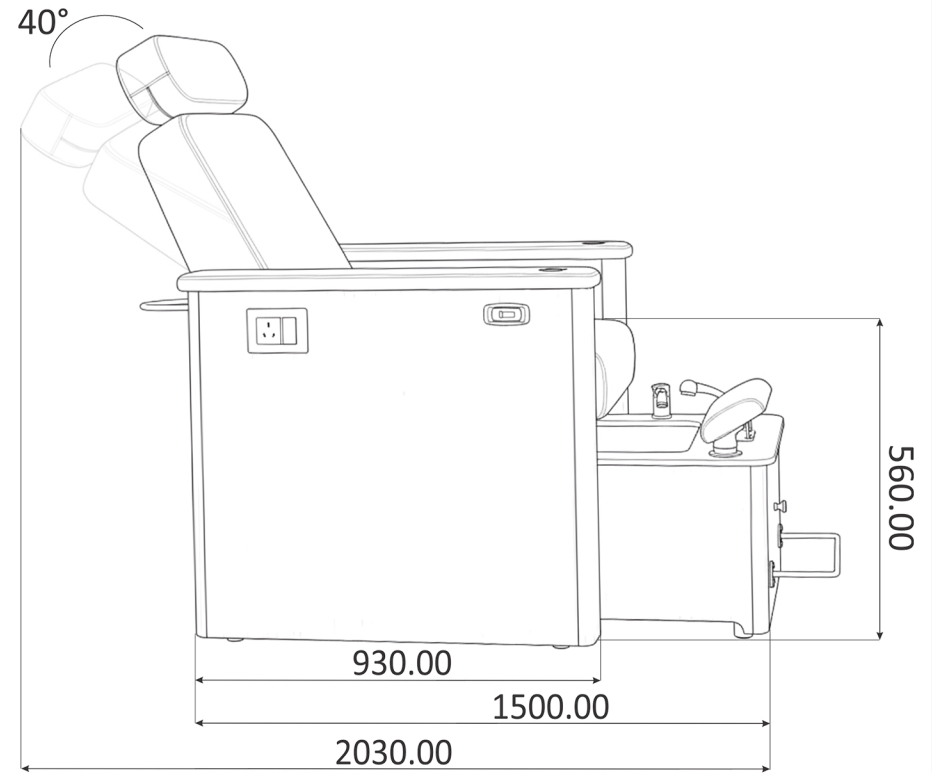
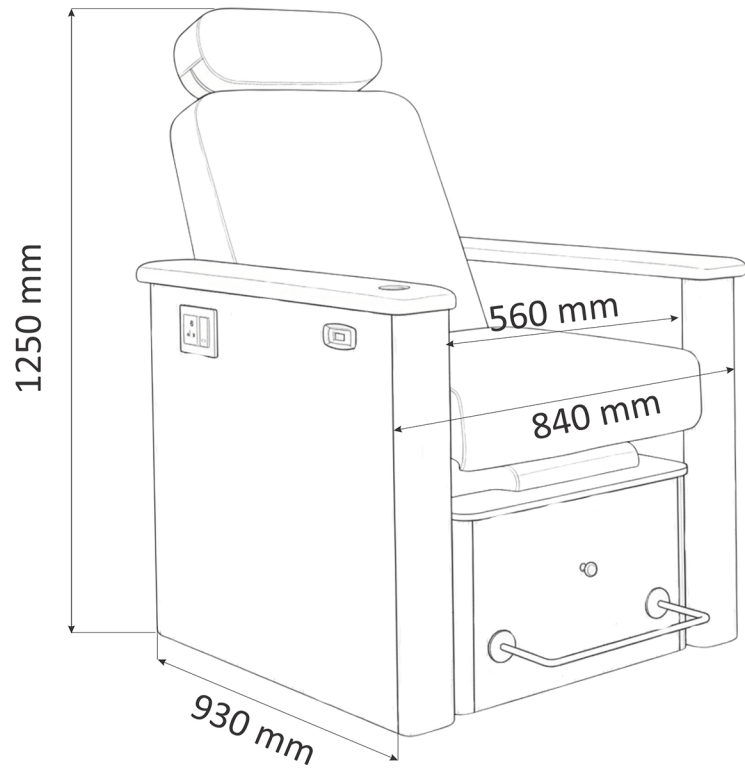
WARRANTY

Structure	2 years
Electronic Motors & Controls	2 years

WEIGHTS

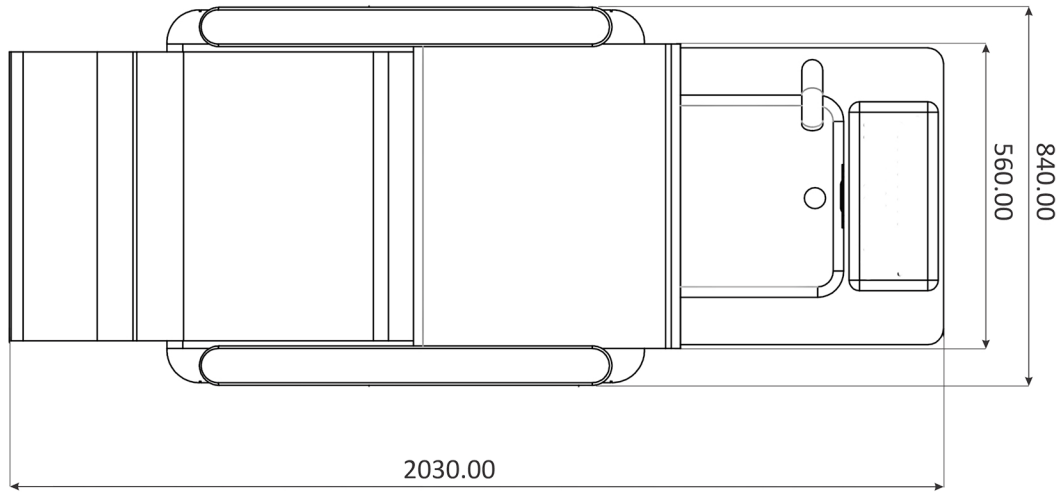
Net Weight	125 Kgs
Shipping Weight	150 Kgs
Shipping Dimension	L 116 x W 94 x H 121 cm

DIMENSIONS

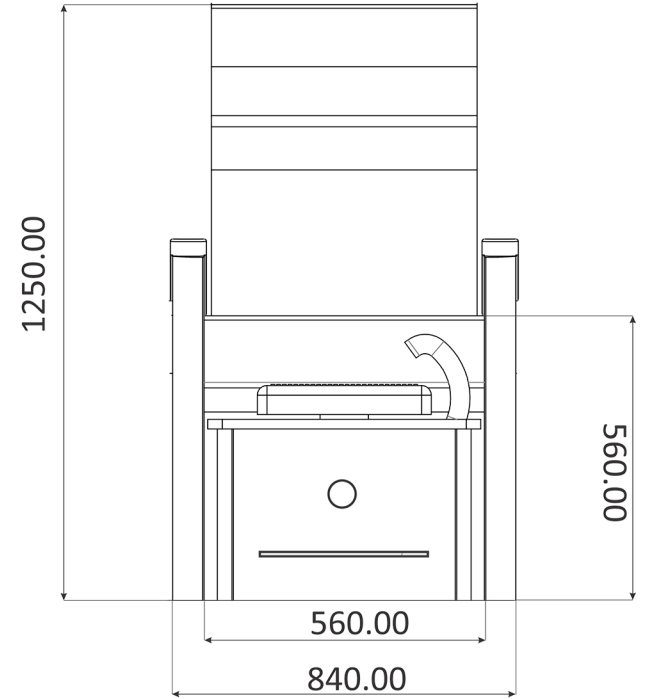


All dimensions are in mm

DIMENSIONS



TOP VIEW (IN RECLINE BACKREST POSITION)



FRONT VIEW

All dimensions are in mm