

MAHIT

The Premium Mahit Electric Spa Massage Bed is four-motor spa treatment table designed for hotel and resort spas. Ideal for spa massages, pedicures, and facials. Versatile table with electronic controls for height, backrest, leg rest, and trendelenburg position. Constructed from American White Oak and Natural Wood Veneer.





DESIGN

Single piece fully electronic top cushion and nose slot with removable plug

FOAM CUSHION

161 mm mixed layers of different densities for comfortable massage experience

FRAME STRUCTURE

Natural Wood, Natural Wood Veneer and Powder Coated Mild Steel Frame

ADJUSTMENTS

Height	Electronically adjusted through 2 x 2000N Lifting columns
Back Rest	Electronically adjusted through 1 x 6000N Actuator
Leg Rest	Electronically adjusted through 1 x 6000N Actuator
Arm Rest	Gas spring assisted lowerable arm rest that can be swung side-ways
Head Rest	Headrest can be manually angled.
Trendelenburg Operation	Electronically adjustable trendelInburg and reverse trendelendburg function

LIFTING CAPACITY

250 Kgs

UPHOLSTERY

Type	Phthalate-Free Upholstery	Veridura : Ultra Soft Upholstery
Thickness	1.01 mm	1 mm
Tensile Strength	ISO 1421, 804 N / 5cm	ISO 1421, 869.22 N / 5cm
Features	Fire Retardant, Acetone & Disinfectant Resistant	Anti-Bacterial, Stain resistant, 20 years hydrolysis resistant
Weight	732 g / sqmt	726.7 g / sqmt
Abrasion	ISO 5470-2 = 2,00,000 cycles / min	ISO 5470-2 = 2,00,000 cycles / min

WOOD FINISH

Natural American White Oak PU, Natural American White Oak Water Base, Open Pore White Finish (RAL 9010), Open Pore Black, Dark Walnut, Yellow Teak, Wenge

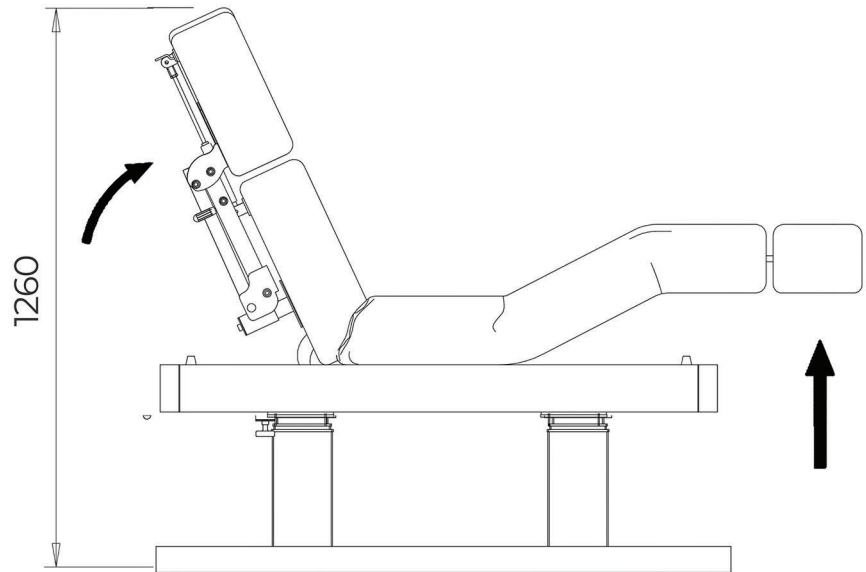
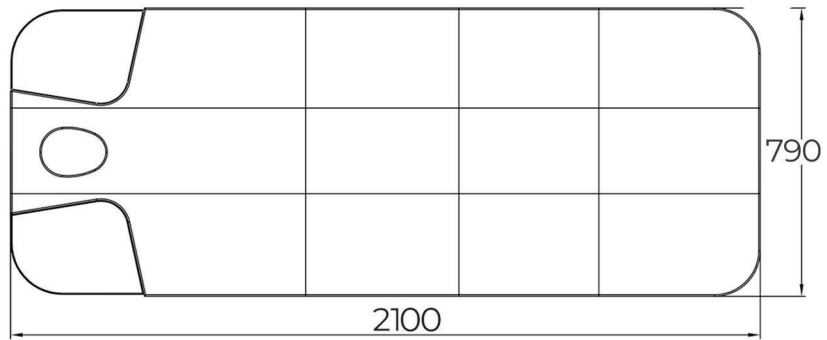
WARRANTY

Structure	1 years
Electronic Motors & Controls	2 years

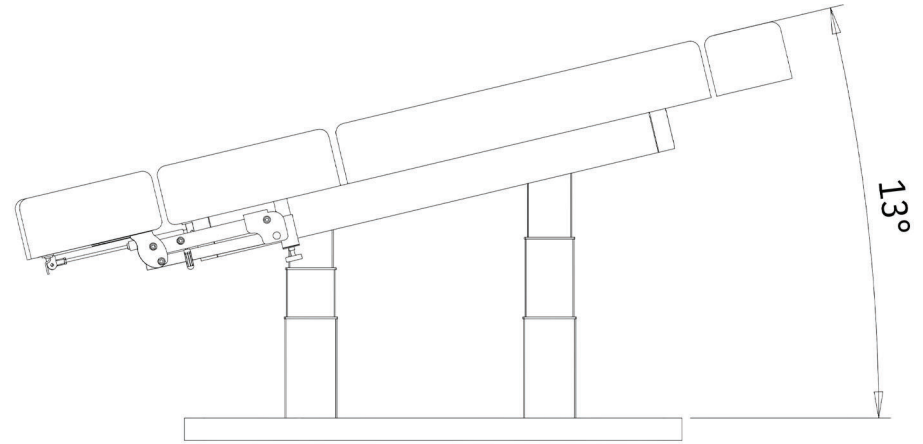
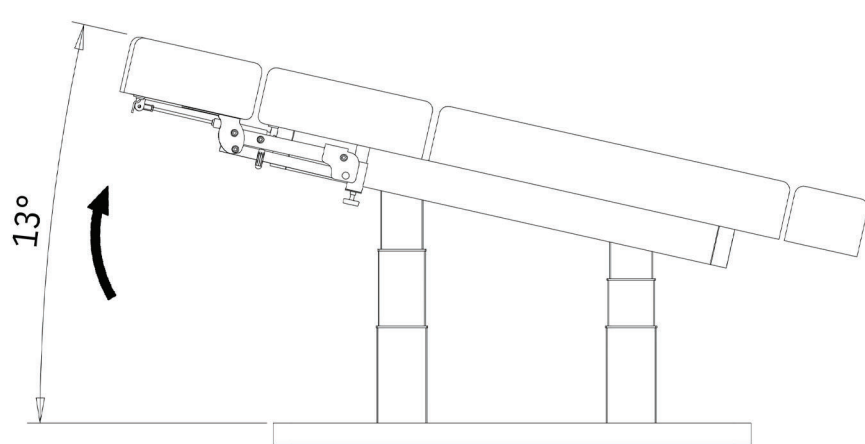
WEIGHTS

Net Weight	147 Kgs
Shipping Weight	220 Kgs
Shipping Dimension	L 220 x W 89 x H 84 cm

DIMENSIONS

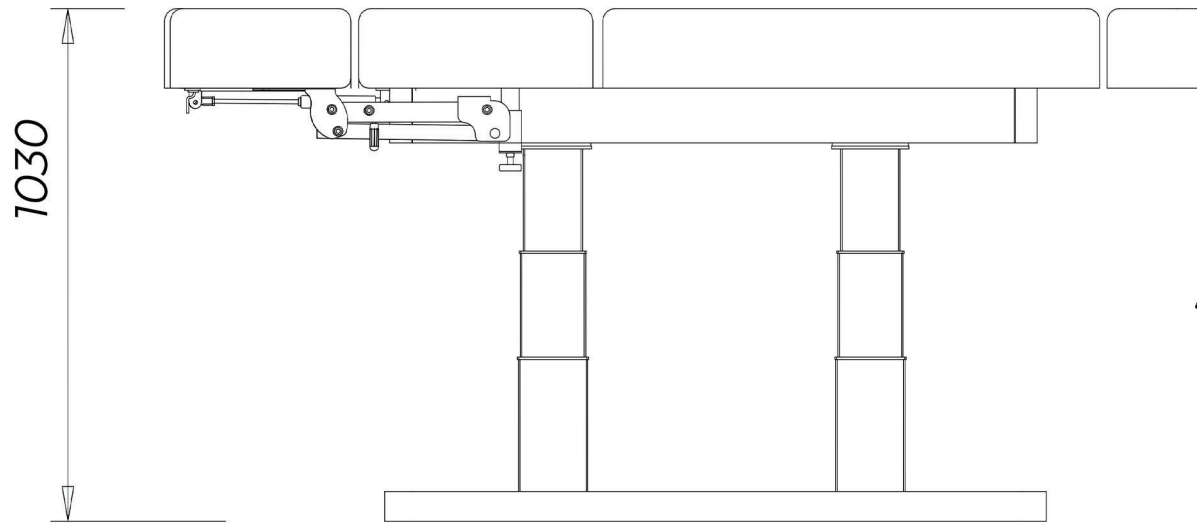


TRENDELENBURG

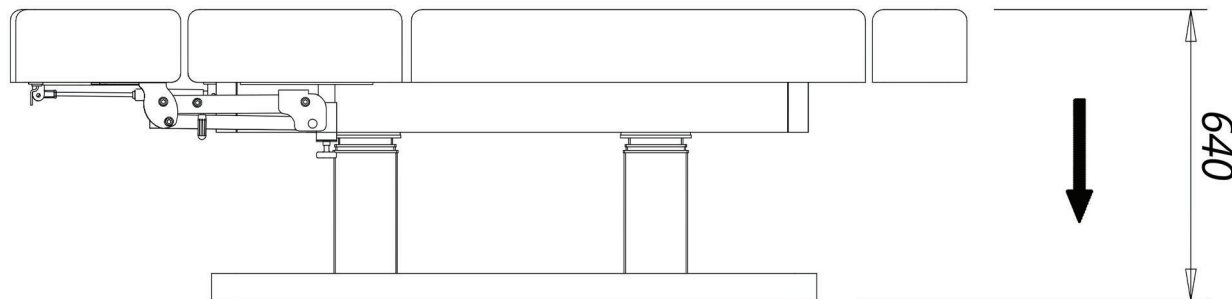


All dimensions are in mm

MAXIMUM HEIGHT



MINIMUM HEIGHT



All dimensions are in mm