

PEDICURE TROLLEY

This Pedicure Trolley is a wonderful option for any salon/spa. Its small and compact and will not take up a lot of space. It comes complete with two shelves for ample storage and sits on four easy roll-about castors for mobility.

WEIGHTS

Product Weight : 14 kgs
Shipping Weight : 26 kgs
Shipping Dimensions : 61 x 51 x 60 cms

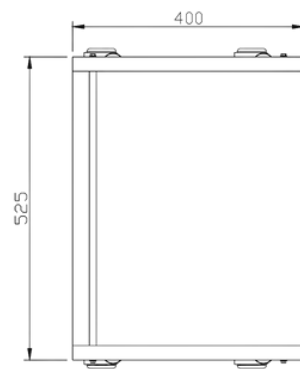
WOOD FINISHES

Natural Yellow Teak Walnut

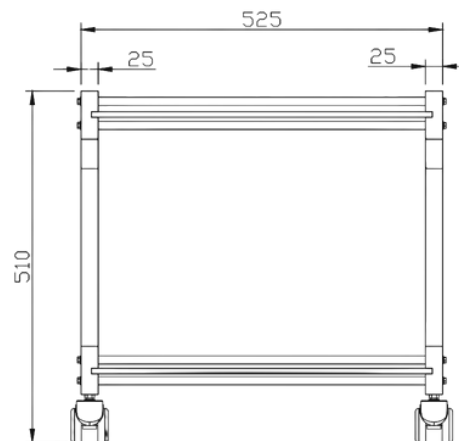


DIMENSIONS

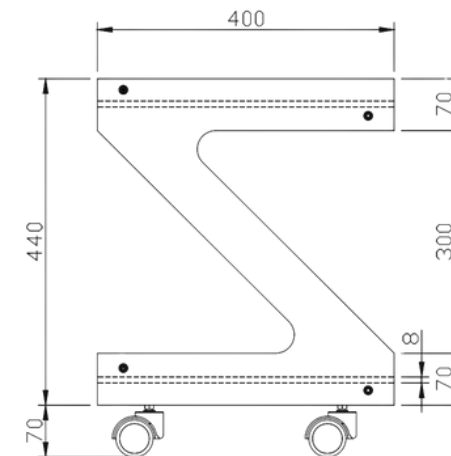
All dimensions are in mm



Top View



Front View



Side View

