

The Elysia is Esthetica's electric relaxation lounger, designed for the rest areas of luxury spas and five-star hotel facilities. With its motorised electronic tilt, it places guests in a perfectly ergonomic position at the touch of a button — allowing them to sink into complete rest from the moment they settle in. Its clean, uncluttered aesthetic — a strong powder-coated metal base, natural American Oak side panels, and premium Veridura upholstery — makes the Elysia a quiet, confident presence in any relaxation space.



KEY FEATURES



Ergonomic S-Curve Design

The Elysia's lounger surface follows a carefully considered S-curve profile, cradling the body in a naturally supported position that distributes weight evenly from head to toe — making it as comfortable for a five-minute rest as it is for an extended stay.

USB-A & USB-C Charging Points

The Elysia features built-in USB-A and USB-C charging points, allowing guests to stay connected and charged throughout their time in the relaxation area — a thoughtful detail that adds genuine everyday value to any spa or hotel facility.

Removable Neck Pillow

The Elysia comes with a removable neck pillow that provides additional head and cervical support, allowing guests to customise their comfort level and settle in with complete ease from the moment they lie down.

Veridura Phthalate-Free Upholstery

The Elysia is upholstered in Veridura Phthalate-Free Upholstery, designed for professional spa environments. Soft to the touch yet built for the demands of daily commercial use, it resists stains, oils, and disinfectants, and carries antibacterial and fire retardant properties as standard.

FEATURES

Design	Ergonomic S-Curve Lounger Surface
Backrest & Legrest	Electronic Motorised Tilt
Neck Pillow	Removable
Foam Cushion	125 mm mixed layers of different densities for comfortable massage experience
Optional	Optional IVC Heating with Auto Shut-Off

TECHNICAL SPECIFICATIONS

Length	2020 mm / 79.5 in
Width	740 mm / 29.1 in
Height	530 mm / 20.8 in
Angle	20°

ELECTRICAL PARAMETERS

Power in (Mains Power Supply)	100–240V, 50–60Hz, 3A
IPX Rating	IPX6
Operating Temperature	10–40°C
Shock Protection:	Class I

BASE & FRAME

Base	Powder-coated metal base
Maximum Load	180 kgs

SAFETY STANDARDS

General Safety Standards	IEC 60601-1
EMI/EMC	IEC 60601-2

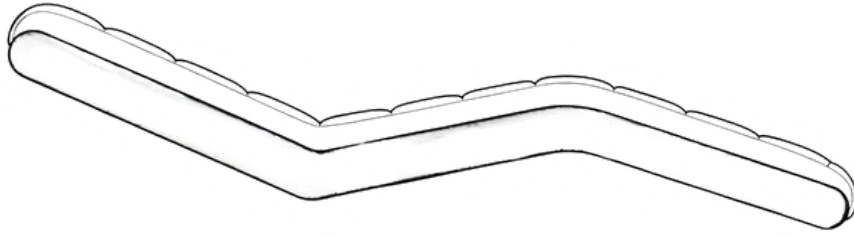
UPHOLSTERY

Type	Veridura Phthalate-Free Upholstery
Thickness	1 mm
Tensile Strength	ISO 1421, 869.22 N/ 5 cm
Colour Options	Cream, Beige, Mouse Grey, Brown, Charcoal Grey
Weight	726.7 g / sqmt
Abrasion	ISO 5470-2 = 2,00,000 cycles / min

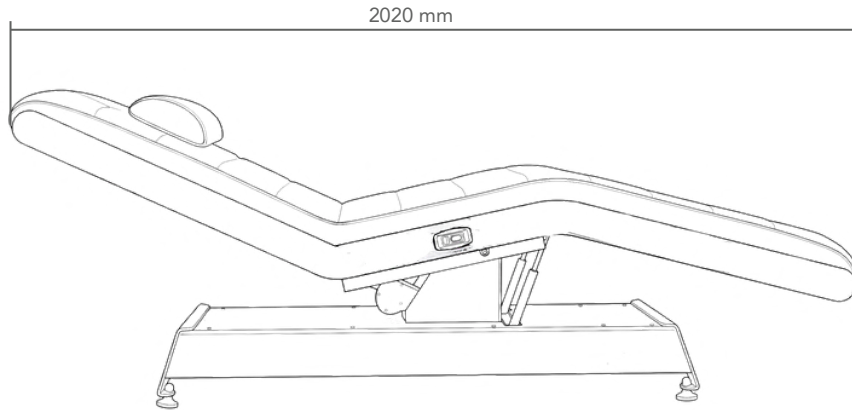
WARRANTY

Motors	2 years
Frame	5 years

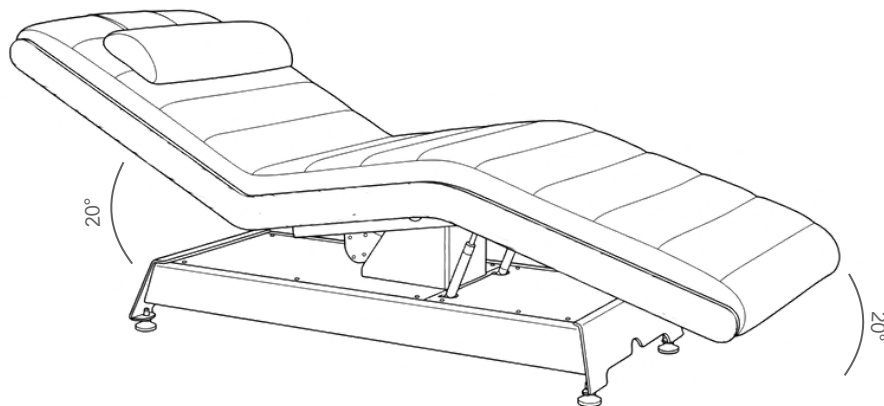
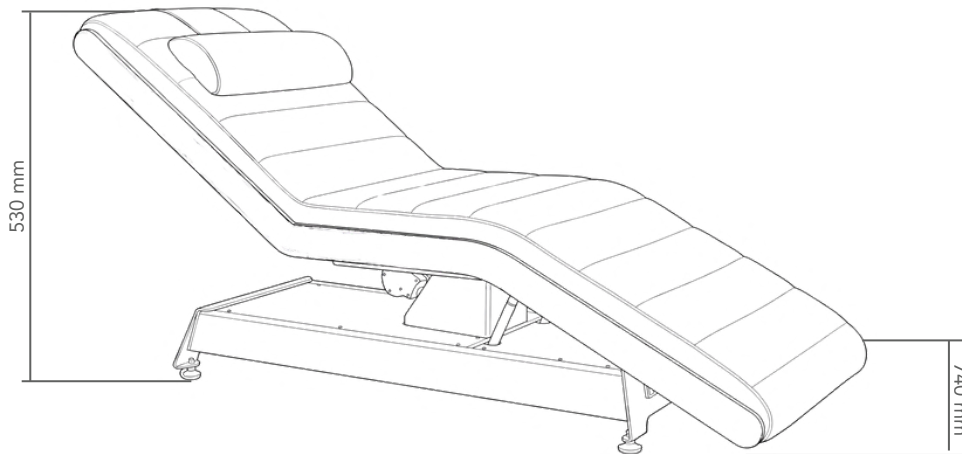
TECHNICAL DRAWINGS



ERGONOMIC S-CURVE LOUNGER SURFACE



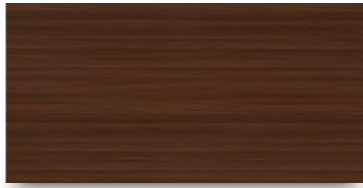
SIDE VIEW



ANGLE VIEW

ALL DIMENSIONS ARE IN MM

WOOD FINISH OPTIONS



American Oak
Dark Walnut



American Oak
Wenge



American Oak
Yellow Teak



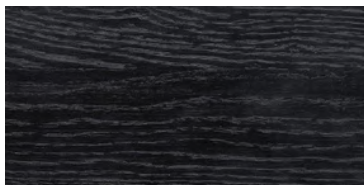
American Oak
White Wash Finish



American Oak
Water Base



American Oak
PU Finish

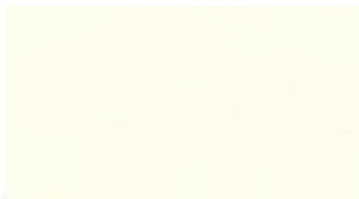


American Oak
Open Pore Black

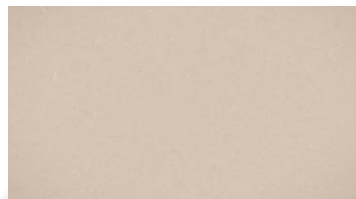


American Oak
Open Pore White

VERIDURA PHTHALATE-FREE UPHOLSTERY



Cream



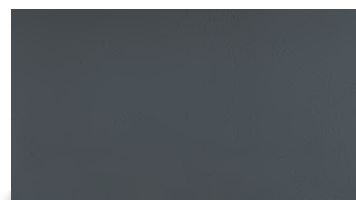
Beige



Mouse Grey



Brown



Charcoal Grey



Phthalate-Free



Fire Retardant



Oil Resistant



Alcohol Resistant



Ultra Soft



Stain Resistant



Anti Bacterial



Eco - Friendly