

The Maharaja is Esthetica's versatile four-motor electric treatment table, designed for spas offering a broad range of massage and beauty treatments. Electronic adjustments for the backrest, legrest, and height give therapists precise control across every service, while a four-piece adjustable top cushion, detachable armrests, face cradle, and head pillow provide guests with a fully customisable comfort experience. Generous built-in storage underneath keeps spa essentials within easy reach, making the Maharaja as practical as it is well-appointed.



KEY FEATURES



Four-Piece Adjustable Top Cushion

Unlike a standard single-piece top, the Maharaja's four-piece adjustable cushion allows individual sections to be positioned independently, giving therapists greater flexibility for positioning across a wider range of treatments

Detachable Face Cradle

The Maharaja comes with a detachable, adjustable face cradle with a face cushion, allowing therapists to position the client comfortably in the prone position during massage treatments — reducing neck strain and enhancing the overall treatment experience.

Built-In Storage

The Maharaja features generous built-in storage beneath the table, providing easy access to towels, oils, and spa accessories — keeping the treatment space organised and everything a therapist needs within arm's reach.

Veridura Phthalate-Free Upholstery

Veridura Phthalate-Free Upholstery, designed for professional spa and wellness environments, offering a safer surface for both clients and therapists. It resists stains, acetone, and disinfectants, withstands frequent cleaning, and ensures durable, fire- and abrasion-resistant performance.

FEATURES

Armrests
Backrest
Headrest
Legrest
Height
Foam Cushion
Storage

Programable Handset

Detachable Armrests
Electronically Adjustable
Manually Detachable
Electronically Adjustable
Electronically Adjustable
170 mm mixed layer of different densities for comfortable massage experience
Built-In Storage



TECHNICAL SPECIFICATIONS

Length 2170 mm / 85.4 in
Width 790 mm / 31 in
Height 1245 mm / 49 in

ELECTRICAL PARAMETERS

Power in (Mains Power Supply) 100–240V, 50–60Hz, 3A
IPX Rating IPX6
Operating Temperature 10–40°C
Shock Protection: Class I

BASE & FRAME

Base Powder-coated mild steel frame
Safe Working Load 250 kgs
Load Bearing capacity 180 kgs

SAFETY STANDARDS

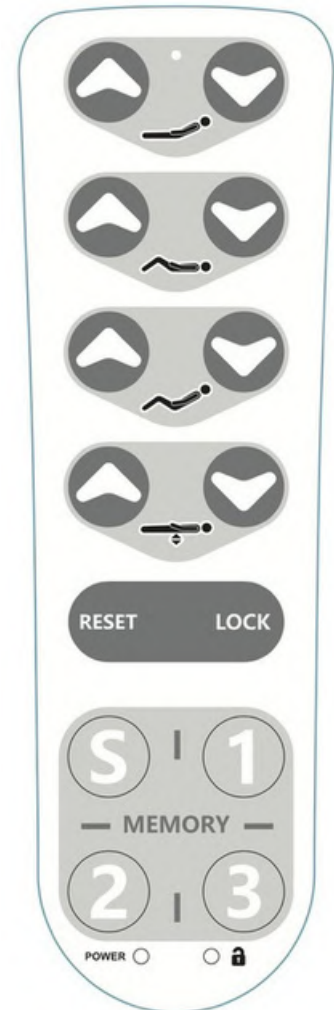
General Safety Standards IEC 60601-1
EMI/EMC IEC 60601-2

UPHOLSTERY

Type Veridura Phthalate-Free Upholstery
Thickness 1 mm
Tensile Strength ISO 1421, 869.22 N/ 5 cm
Colour Options Cream, Beige, Mouse Grey, Brown, Charcoal Grey
Weight 726.7 g / sqmt
Abrasion ISO 5470-2 = 2,00,000 cycles / min

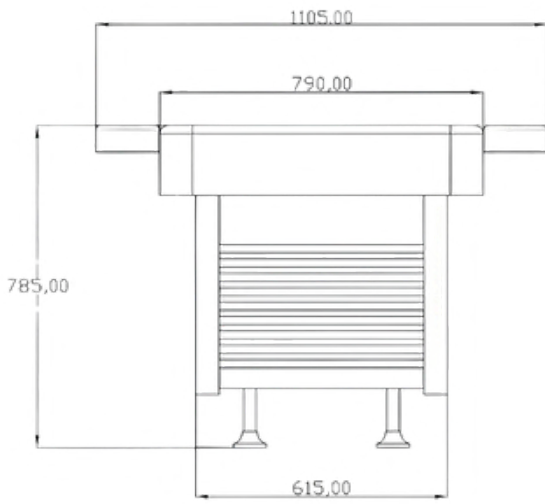
WARRANTY

Motors 2 years
Frame 5 years

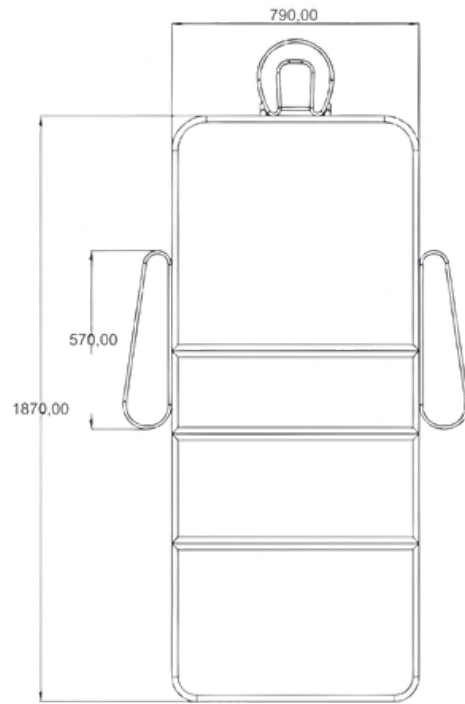


HANDSET

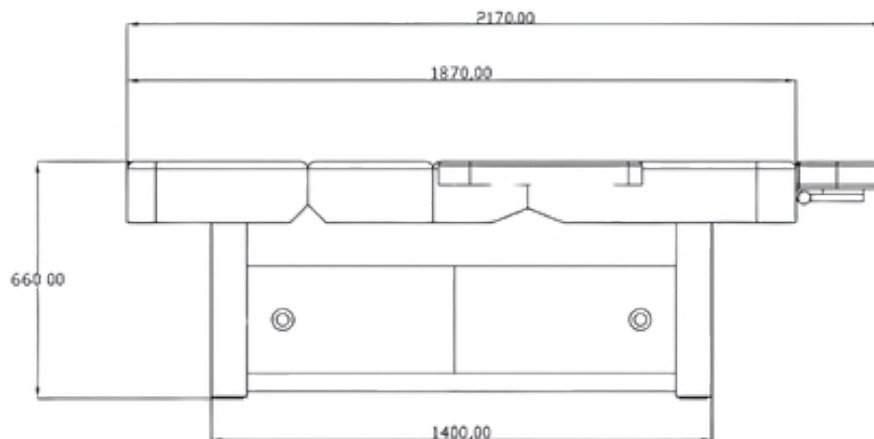
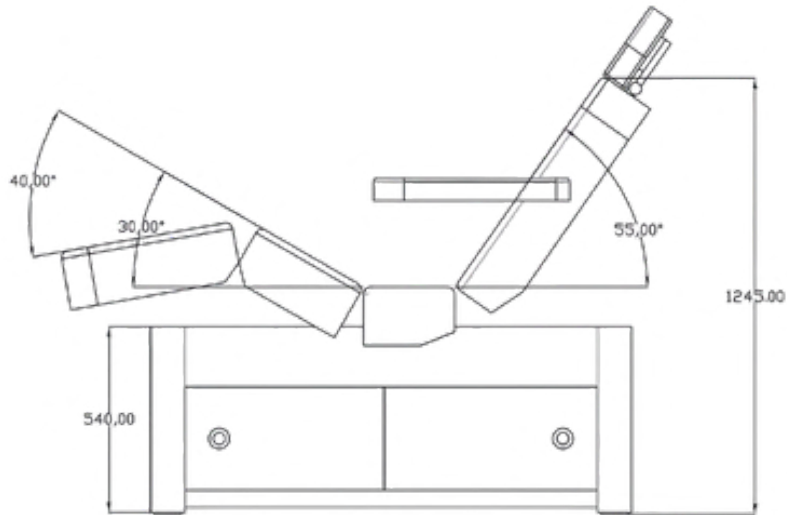
TECHNICAL DRAWINGS



FRONT VIEW

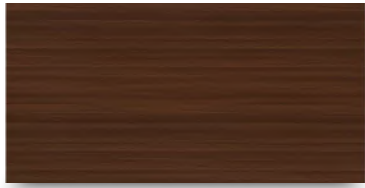


TOP VIEW



ALL DIMENSIONS ARE IN MM

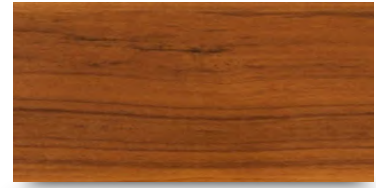
WOOD FINISH OPTIONS



American Oak
Dark Walnut



American Oak
Wenge



American Oak
Yellow Teak



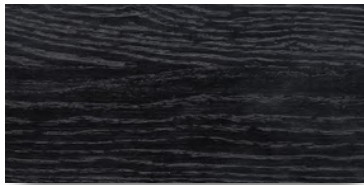
American Oak
White Wash Finish



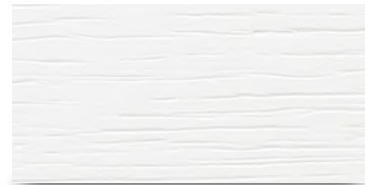
American Oak
Water Base



American Oak
PU Finish

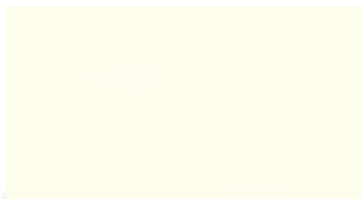


American Oak
Open Pore Black

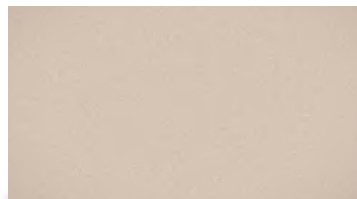


American Oak
Open Pore White

VERIDURA PHTHALATE-FREE UPHOLSTERY



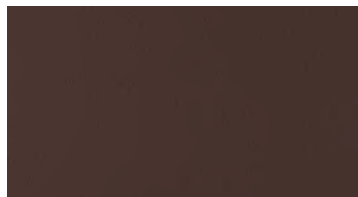
Cream



Beige



Mouse Grey



Brown



Charcoal Grey



Phthalate-Free



Fire Retardant



Oil Resistant



Alcohol Resistant



Ultra Soft



Stain Resistant



Anti Bacterial



Eco - Friendly