

The Mudit is Esthetica's four-motor electric treatment table for spas and wellness centres, combining essential electronic adjustments with a clean, low-profile design. Electronic controls for the backrest, legrest, height, and Trendelenburg function give therapists precise positioning for a wide range of treatments. A built-in storage compartment accessible from both sides keeps spa essentials within reach, while the solid wood and veneer base brings a warm, contemporary aesthetic to any treatment room.



KEY FEATURES



Nose Slot with Removable Neck Pillow

The Mudit's single-piece top cushion features a nose slot with a removable neck pillow, allowing clients to lie comfortably in the prone position during massage treatments without strain on the neck or back.

Trendelenburg Function

The Mudit's electronically adjustable Trendelenburg and reverse Trendelenburg function allows the entire table surface to tilt, enabling optimal positioning for specialised treatments such as facials and body wraps — improving both treatment outcomes and guest comfort.

Dual-Access Storage

The Mudit features a built-in storage compartment that can be accessed from both sides of the table, giving therapists convenient access to towels, oils, and spa accessories without disrupting the flow of the treatment.

Veridura Phthalate-Free Upholstery

Available in Veridura Phthalate-Free Upholstery, designed for professional spa environments, offering a safer surface for both clients and therapists. It resists stains, acetone, and disinfectants, withstands frequent cleaning, and ensures durable, fire- and abrasion-resistant performance.

FEATURES

Backrest
Legrest
Height
Trendelenburg Operation
Foam Cushion
Optional

Programable Handset

Electronically Adjustable
Electronically Adjustable
Electronically Adjustable
Electronically adjustable trendelenburg and reverse trendelenburg
150 mm mixed layer of different densities for comfortable massage experience
IVC Heating Technology



TECHNICAL SPECIFICATIONS

Length 1985 mm / 78.1 in
Width 810 mm / 31.8 in
Minimum height 685 mm / 26.9 in
Maximum height 920 mm / 36.2 in
Tilt angle -75° (when lowred) to 75° (when raised)

ELECTRICAL PARAMETERS

Power in (Mains Power Supply) 100–240V, 50–60Hz, 3A
IPX Rating IPX6
Operating Temperature 10–40°C
Shock Protection: Class I

BASE & FRAME

Base Powder-coated mild steel frame
Safe Working Load 250 kgs
Load Bearing capacity 180 kgs

SAFETY STANDARDS

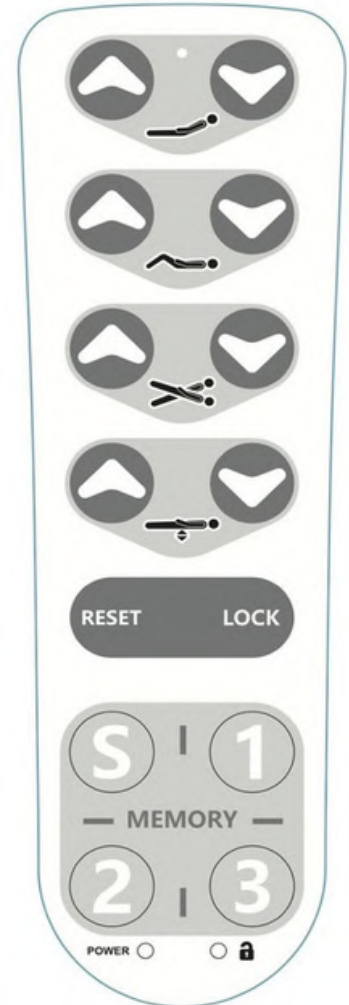
General Safety Standards IEC 60601-1
EMI/EMC IEC 60601-2

UPHOLSTERY

Type Veridura Phthalate-Free Upholstery
Thickness 1 mm
Tensile Strength ISO 1421, 869.22 N/ 5 cm
Colour Options Cream, Beige, Mouse Grey, Brown, Charcoal Grey
Weight 726.7 g / sqmt
Abrasion ISO 5470-2 = 2,00,000 cycles / min

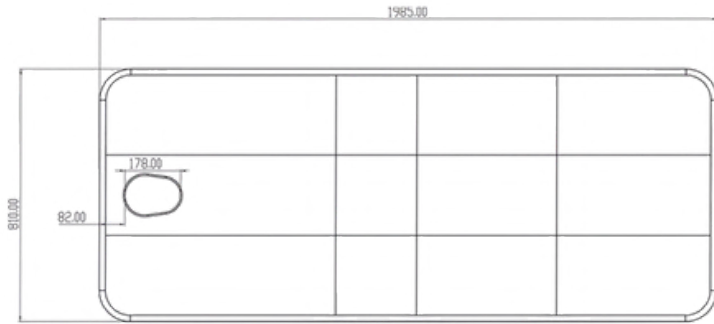
WARRANTY

Motors 2 years
Frame 5 years

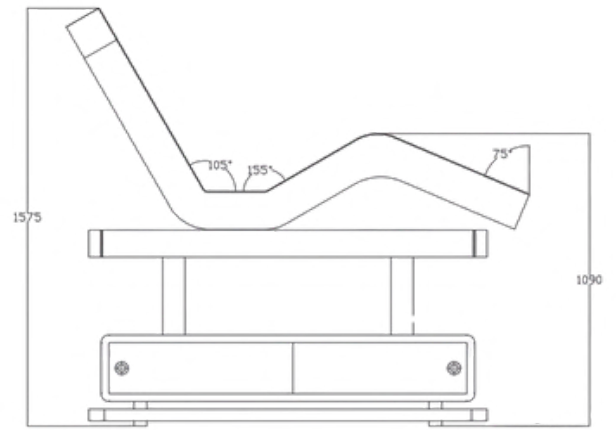


HANDSET

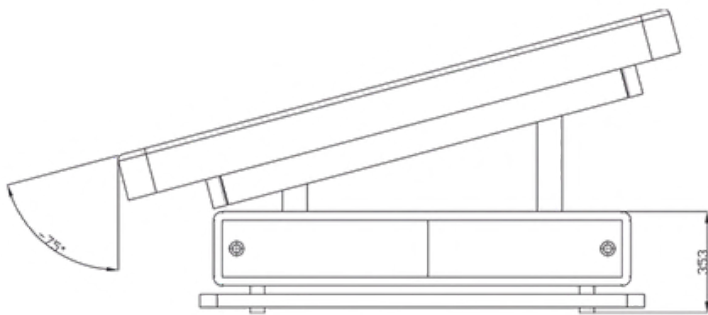
TECHNICAL DRAWINGS



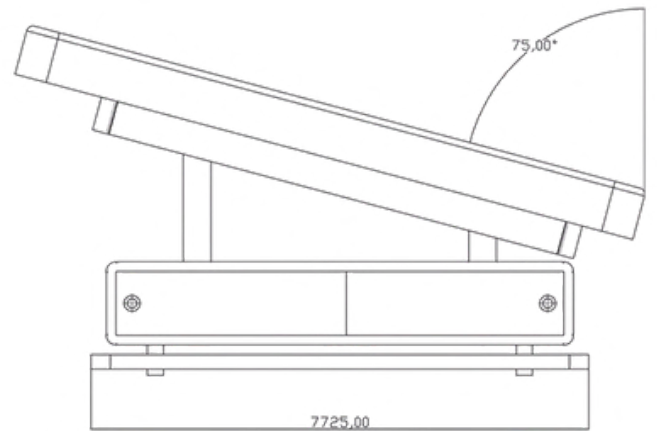
TOP VIEW



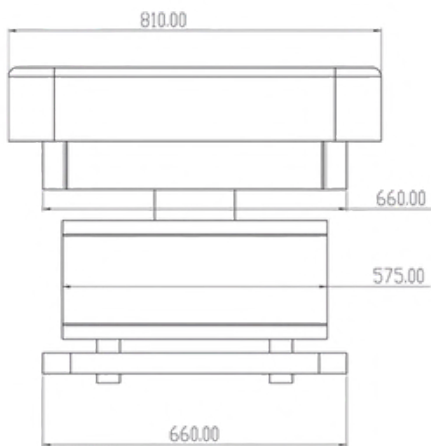
SIDE VIEW



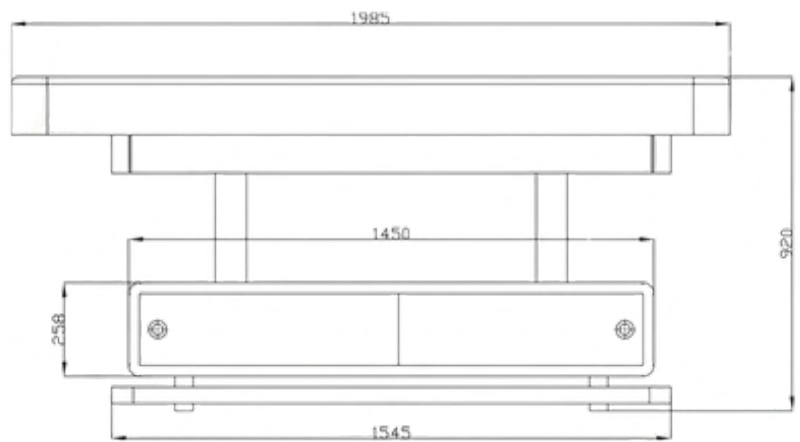
TRENDELEBURG (HEAD SIDE DOWN)



TRENDELEBURG (LEG SIDE DOWN)



FRONT VIEW

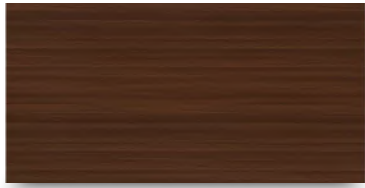


MAXIMUM HEIGHT



MINIMUM HEIGHT

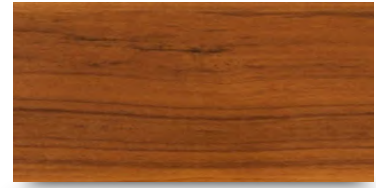
WOOD FINISH OPTIONS



American Oak
Dark Walnut



American Oak
Wenge



American Oak
Yellow Teak



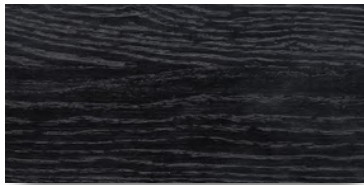
American Oak
White Wash Finish



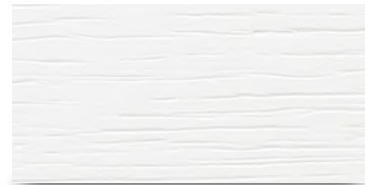
American Oak
Water Base



American Oak
PU Finish

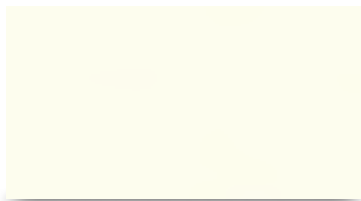


American Oak
Open Pore Black

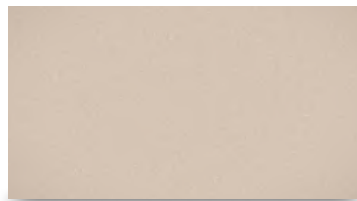


American Oak
Open Pore White

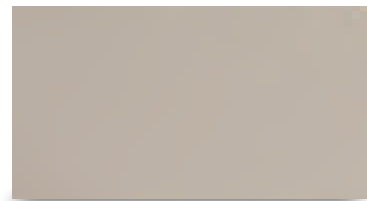
VERIDURA PHTHALATE-FREE UPHOLSTERY



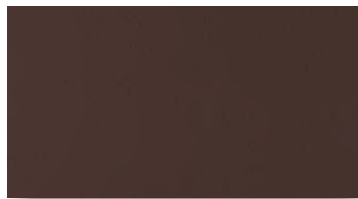
Cream



Beige



Mouse Grey



Brown



Charcoal Grey



Phthalate-Free



Fire Retardant



Oil Resistant



Alcohol Resistant



Ultra Soft



Stain Resistant



Anti Bacterial



Eco - Friendly