

MIND AND BODY WELLNESS



High-performance
Vibroacoustics

NADA BRAHMA

VIBROACOUSTIC TABLE

The Nada Brahma is Esthetica's mind-body wellness technology — a vibroacoustic experience table that uses sound and vibration to promote deep relaxation, stress relief, better sleep, and mental clarity. Four tactile sound transducers embedded within the table transmit precise frequencies directly through the body, working in harmony with stereo headphones and six pre-loaded wellness programs controlled via a dedicated tablet. As sound becomes sensation and vibration travels through every muscle and nerve, the Nada Brahma offers guests something rare — a moment of complete stillness in a world that rarely slows down. Designed for luxury spas, holistic therapy centres, and wellness retreats seeking to offer something truly beyond the ordinary.



NADA BRAHMA WELLNESS APPLICATIONS



Four Tactile Sound Transducers

The Nada Brahma features four premium tactile sound transducers embedded directly within the table, converting sound into full-body vibration. Rather than simply hearing the wellness programs, guests feel every frequency resonating through the body — deepening the therapeutic effect of each session..

Wave-Shape Ergonomic Design

The Nada Brahma's distinctive wave-shaped top is engineered to cradle the body in a naturally supported, fully reclined position — allowing guests to surrender completely to the experience and enabling vibrations to travel through the body with greater depth and effect.







Six Pre-Loaded Wellness Programs

The Nada Brahma comes with six expertly curated programs — Relaxation, Stress Relief, Sleep, Focus and Mental Clarity, Tibetan Gong and Singing Bowl, and a Voice-Guided Demo — each precisely tuned to target specific brainwave states, giving every guest a deeply personalised wellness journey.

Veridura Phthalate-Free Upholstery

The Nada Brahma is available in Veridura Phthalate-Free Upholstery, designed for professional spa and wellness environments, offering a safer surface for both clients and therapists. It resists stains, acetone, and disinfectants, withstands frequent cleaning, and ensures durable, fire- and abrasion-resistant performance.

THE SIX NADA BRAHMA PROGRAMS

01.  Relaxation - 22 Minutes
 - Alpha Brain WavesDesigned to promote a deep state of rest and calm.
02.  Stress Relief - 24 Minutes
 - Theta Brain WavesIntended to support a quieter, more settled state of mind.
03.  Tibetan Gong & Singing Bowl - 22 Minutes
 - Alpha Brain WavesAn ancient-inspired soundscape to encourage stillness and meditative calm.
04.  Focus & Mental Clarity - 25 Minutes
 - Gamma Brain WavesDesigned to support concentration and a sense of mental presence.
05.  Sleep - 23 Minutes
 - Delta Brain WavesA slow, deep program intended to encourage the mind toward restorative rest.
06.  Voice-Guided Demo - 10 Minutes
 - Alpha Brain WavesAn introductory session ideal for first-time guests.





CORPORATE WELLNESS

Let employees relax while technology restores balance, reducing stress and enhancing performance in real-time. This wellness service helps them reach their full potential with less stress.



RESIDENTIAL USE

Cutting-edge technology for your family. In just 15 minutes, it helps reduce stress by up to 54%, improve sleep, ease full-body inflammation, and promote deep recovery. Vibroacoustic Therapy uses medical-grade vibrations and neural music to recalibrate the body. Perfect addition to your home Gym or general living spaces.



SPA AND WELLNESS CENTRES

Guests undergo profound rejuvenation and achieve a meditative reset. Health and well-being are the top priorities for travellers. Best suited for wellness centres, hotel spas and airport lounges.



MEDICAL AND TREATMENT FACILITY

Vibroacoustic Therapy can easily be integrated into rehabilitation centres, medical spas, and traditional psychology practices. It helps rebalance the nervous system, reduce stress, anxiety, and pain, and offers full-body inflammation reduction.

FEATURES

Design	Wave shape top design for ergonomic support
Foam Cushion	100 mm mixed layer of different densities for comfortable massage experience

TECHNICAL SPECIFICATIONS

Length	1905 mm / 75 in
Width	740 mm / 29 in
Height	764 mm / 30 in

ELECTRICAL PARAMETERS

Power in (Mains Power Supply)	100–240V, 50–60Hz, 3A
IPX Rating	IPX6
Operating Temperature	10–40°C
Shock Protection:	Class I

BASE & FRAME

Base	Powder-coated mild steel frame
Safe Working Load	250 kgs
Load Bearing capacity	180 kgs

SAFETY STANDARDS

General Safety Standards	IEC 60601-1
EMI/EMC	IEC 60601-2

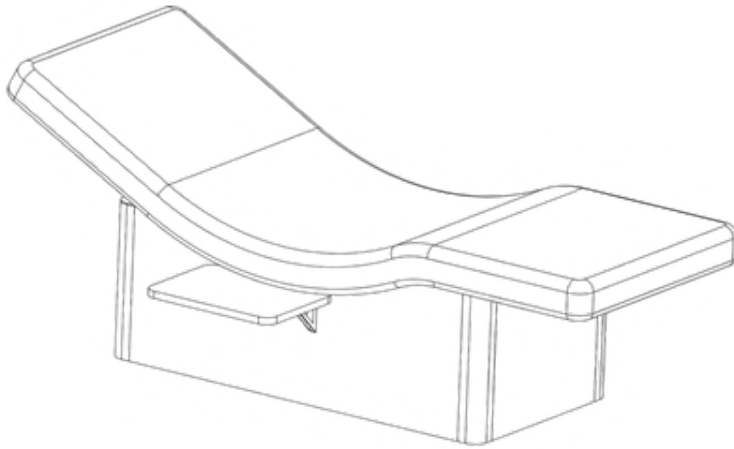
UPHOLSTERY

Type	Veridura Phthalate-Free Upholstery
Thickness	1 mm
Tensile Strength	ISO 1421, 869.22 N/ 5 cm
Colour Options	Cream, Beige, Mouse Grey, Brown, Charcoal Grey
Weight	726.7 g / sqmt
Abrasion	ISO 5470-2 = 2,00,000 cycles / min

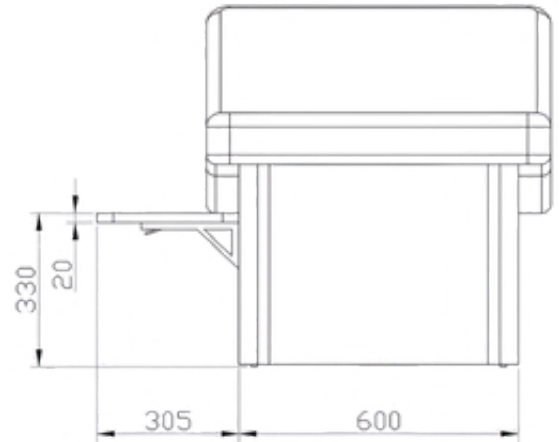
WARRANTY

Motors	2 years
Frame	5 years

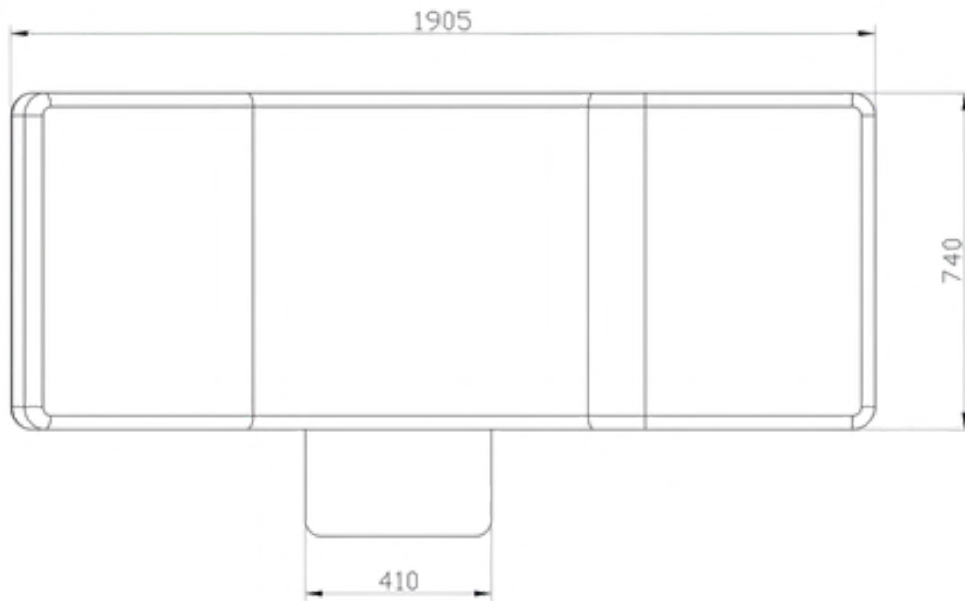
TECHNICAL DRAWINGS



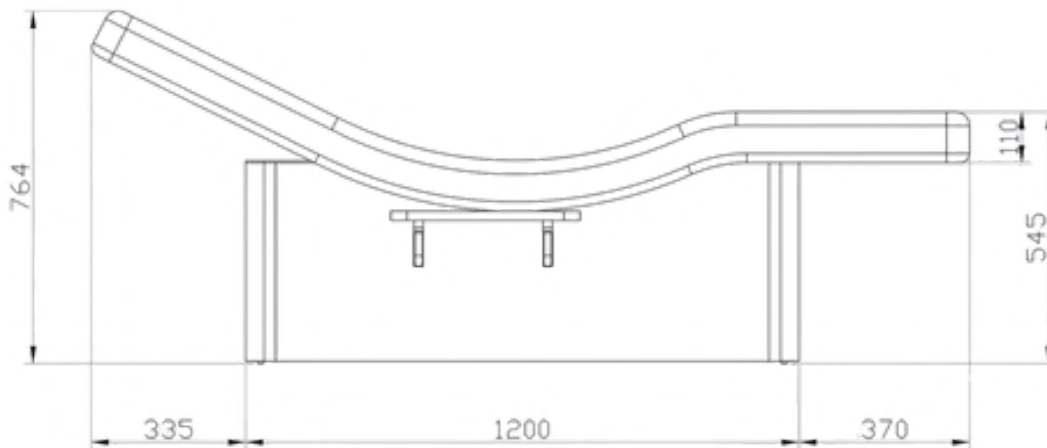
ISOMETRIC VIEW



FRONT VIEW



TOP VIEW

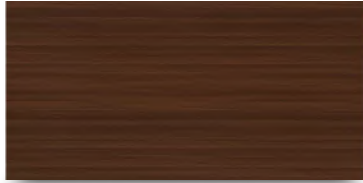


SIDE VIEW

ALL DIMENSIONS ARE IN MM

NADA BRAHMA WOOD FINISH & UPHOLSTERY OPTIONS

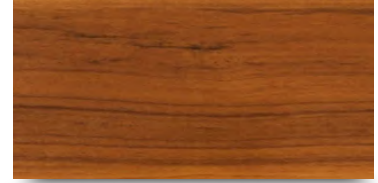
WOOD FINISH OPTIONS



American Oak
Dark Walnut



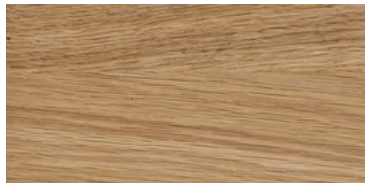
American Oak
Wenge



American Oak
Yellow Teak



American Oak
White Wash Finish



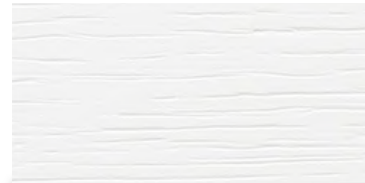
American Oak
Water Base



American Oak
PU Finish

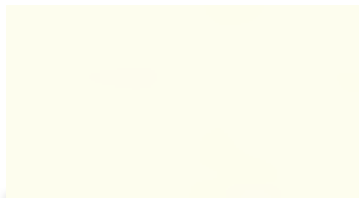


American Oak
Open Pore Black

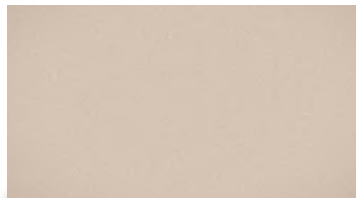


American Oak
Open Pore White

VERIDURA PHTHALATE-FREE UPHOLSTERY



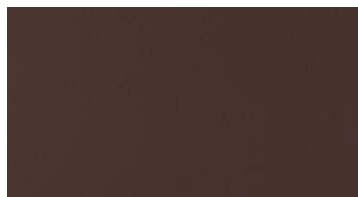
Cream



Beige



Mouse Grey



Brown



Charcoal Grey



Phthalate-Free



Fire Retardant



Oil Resistant



Alcohol Resistant



Ultra Soft



Stain Resistant



Anti Bacterial



Eco - Friendly