

The Mudra Electric Spa Bed by Esthetica is a professional-grade, high-end electric treatment table designed for premium spa and wellness environments. It features a fully electronic single-piece top cushion for superior comfort and seamless positioning. Electrically adjustable height, backrest, and legrest functions allow therapists precise control across every treatment. Lowerable gas spring-assisted armrests, generous built-in storage, and an integrated powerboard with storage space to accommodate a 10-litre hot towel cabinet make the Mudra as functional as it is refined — the ideal centrepiece for modern spas seeking performance and elegance in equal measure.



KEY FEATURES



Lowerable Armrests

The Mudra's gas spring-assisted armrests can be lowered when the client is in the prone position, enabling a more ergonomic and comfortable lying position while relieving any strain on the back — ideal for full-body treatments..

Programmable Handset

The Mudra Electric Spa Bed's programmable handset stores three therapist-defined positions. With one touch, the bed returns to a saved setting, saving time and allowing positions to be recalled repeatedly during treatments.

Storage Space & Electrical Sockets

The Mudra comes with generous built-in storage to accommodate towels, oils, and spa accessories, alongside an integrated powerboard with dedicated space to house a 10-litre hot towel cabinet and electrical sockets for treatment equipment.

Veridura Phthalate-Free Upholstery

Veridura Phthalate-Free Upholstery is designed for professional spa environments, offering a safer surface for both clients and therapists. It resists stains and disinfectants, withstands frequent cleaning, and ensures durable, fire- and abrasion-resistant performance.

FEATURES

Armrests
Backrest
Legrest
Height
Foam Cushion
Optional

Programable Handset

Lowerable, Gas Spring-Assisted
Electronically Adjustable
Electronically Adjustable
3 section lifting column for fast and smooth height adjustment
150 mm mixed layer of different densities for comfortable massage experience
IVC Heating Technology



TECHNICAL SPECIFICATIONS

Length 2050 mm / 80 in
Width 790 mm / 31 in
Minimum height 725 mm / 28.5 in
Maximum height 955 mm / 37.5 in

ELECTRICAL PARAMETERS

Power in (Mains Power Supply) 100–240V, 50–60Hz, 3A
IPX Rating IPX6
Operating Temperature 10–40°C
Shock Protection: Class I

BASE & FRAME

Base Powder-coated mild steel frame
Safe Working Load 250 kgs
Load Bearing capacity 180 kgs

SAFETY STANDARDS

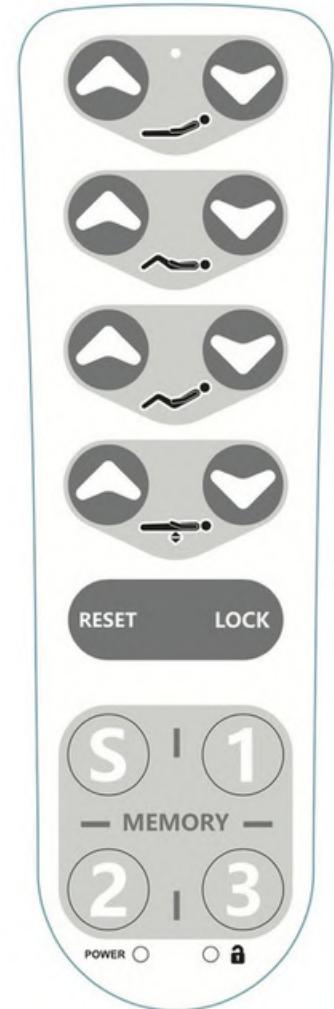
General Safety Standards IEC 60601-1
EMI/EMC IEC 60601-2

UPHOLSTERY

Type Veridura Phthalate-Free Upholstery
Thickness 1 mm
Tensile Strength ISO 1421, 869.22 N/ 5 cm
Colour Options Cream, Beige, Mouse Grey, Brown, Charcoal Grey
Weight 726.7 g / sqmt
Abrasion ISO 5470-2 = 2,00,000 cycles / min

WARRANTY

Motors 2 years
Frame 5 years

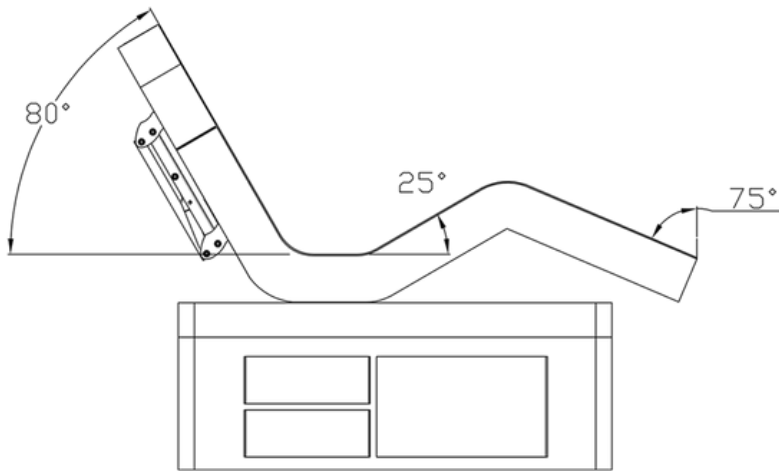


HANDSET

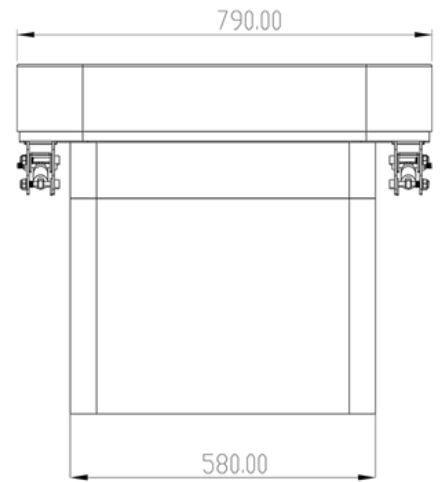
TECHNICAL DRAWINGS



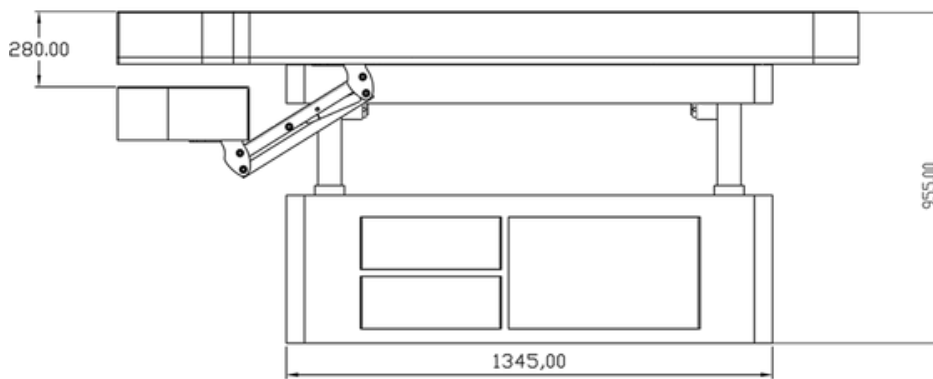
TOP VIEW



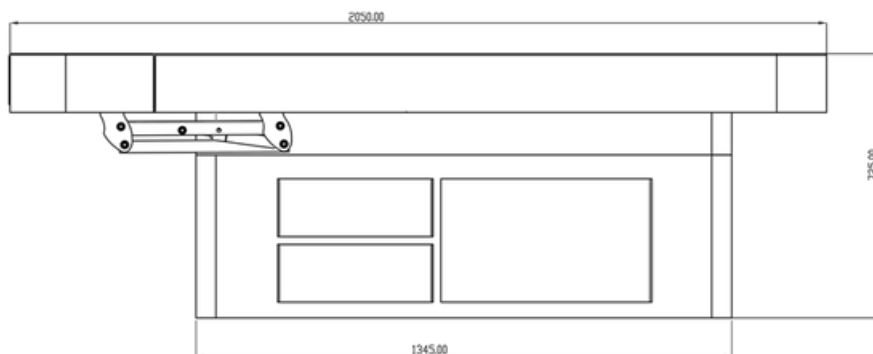
SIDE VIEW



FRONT VIEW



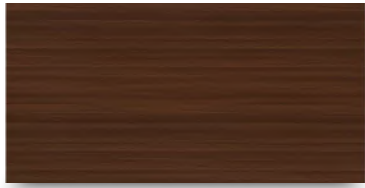
MAXIMUM HEIGHT



MINIMUM HEIGHT

ALL DIMENSIONS ARE IN MM

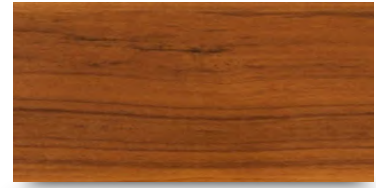
WOOD FINISH OPTIONS



American Oak
Dark Walnut



American Oak
Wenge



American Oak
Yellow Teak



American Oak
White Wash Finish



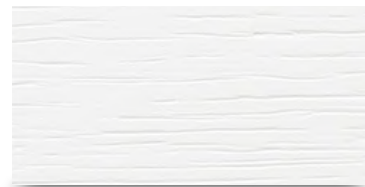
American Oak
Water Base



American Oak
PU Finish

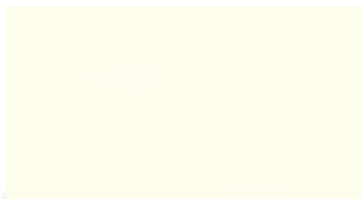


American Oak
Open Pore Black

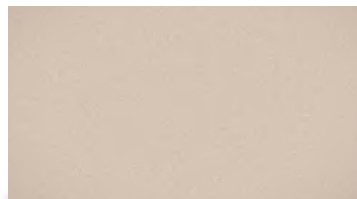


American Oak
Open Pore White

VERIDURA PHTHALATE-FREE UPHOLSTERY



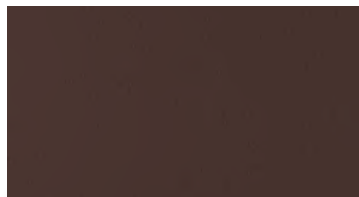
Cream



Beige



Mouse Grey



Brown



Charcoal Grey



Phthalate-Free



Fire Retardant



Oil Resistant



Alcohol Resistant



Ultra Soft



Stain Resistant



Anti Bacterial



Eco - Friendly